

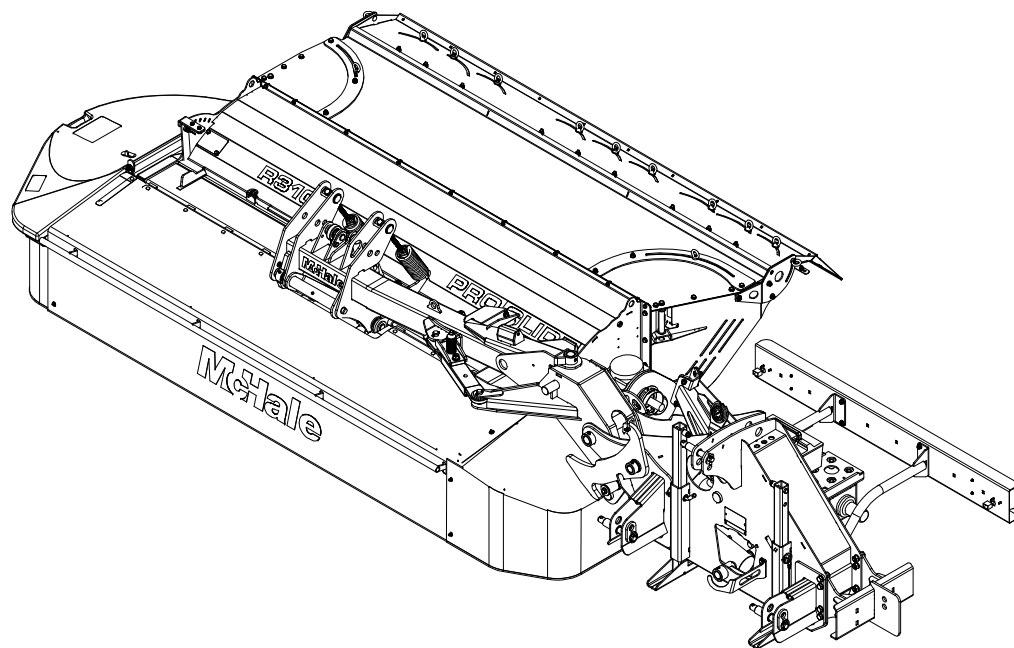
McHale PRO GLIDE



QUALITY

I.S. EN ISO 9001:2015

NSAI Certified



PRO GLIDE R3100 Spare Parts Book

McHale,
Ballinrobe,
Co. Mayo, Ireland.

Tel: +353 94 9520300

Fax: +353 94 9520356

Email: sales@mchale.net

Website: www.mchale.net

This page is intentionally left blank

Introduction

The **McHale PRO GLIDE R3100** which you have purchased has been developed through years of constant research and development. Given proper care and attention the **PRO GLIDE R3100** will give years of reliable and dependable performance. However it is important that the operators manual is read and fully understood to achieve this, **before** the machine is operated. As part of this philosophy it is vital to use only **genuine McHale** replacement parts, as these are manufactured to the same high standard as the original machine. These may be obtained through your **McHale** dealer.

If any part of this manual is not fully understood, please contact your **McHale** dealer who will be able to answer any questions or queries that you might have. It is important to quote the machine serial number when requiring spare parts or technical assistance. Space is provided below to record the machine details:

Serial number:	
Year of manufacture:	
Date of delivery:	

If you require further copies of this spare parts manual please
quote part number CLT00886

Note: Parts described as left and right are done so according to the direction that the machine normally travels in.

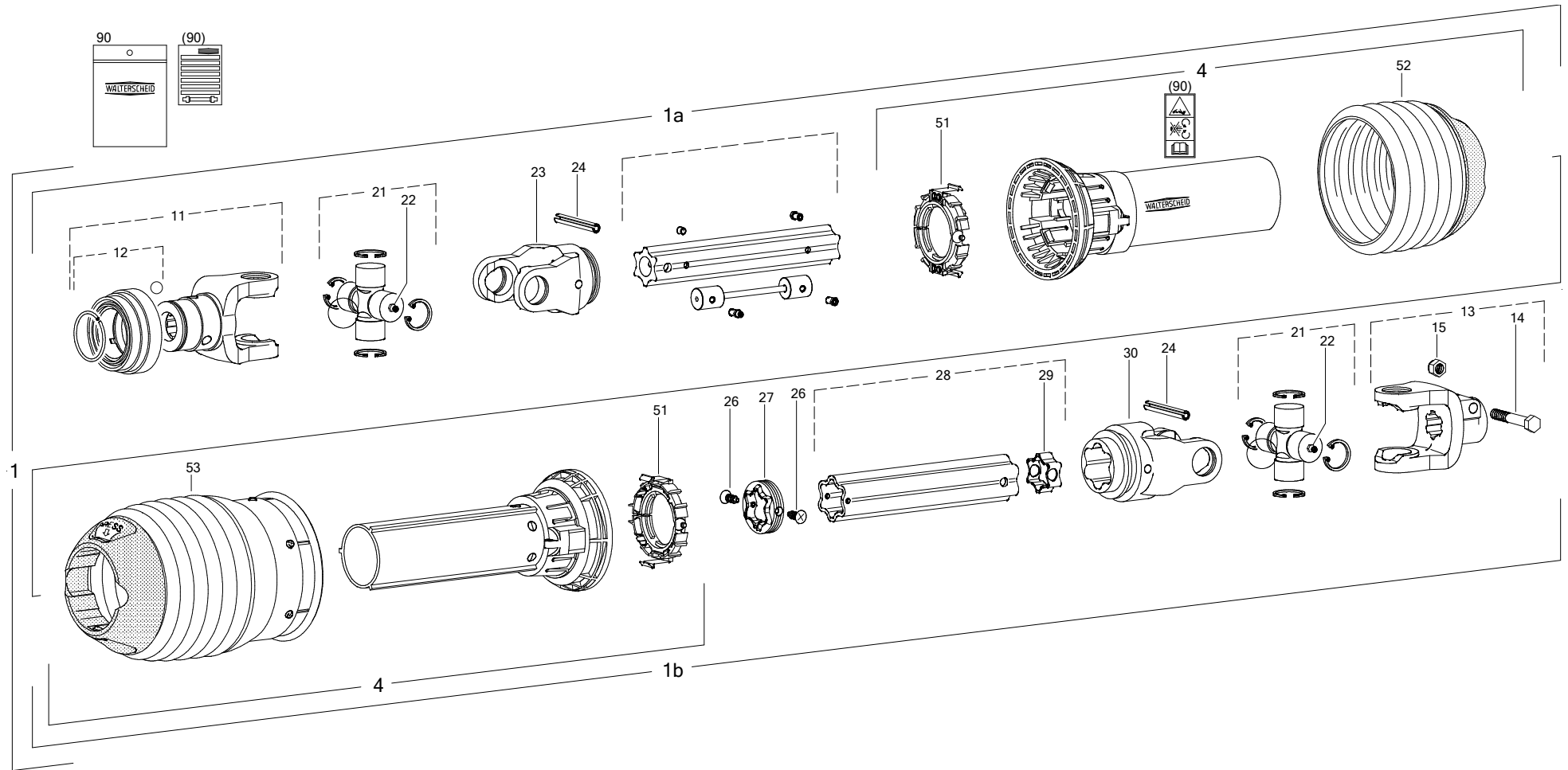
Note: Due to a policy of continuous product development and improvement *McHale Engineering* reserve the right to alter machine specifications without prior notice.

Contents

Section	Page	Document	Section	Page	Document
PTO shafts & Gearboxes					
PTO shaft primary (1017)	6	SPD01017			
PTO shaft secondary RH [Up to Serial No 1002404 only on B9000] (1018)	8	SPD01018			
Gearbox input (1101)	10	SPD01101			
Gearbox RH 2 speed (1102)	12	SPD01102			
Chassis					
Headstock frame (983)	14	SPD00983			
Suspension arm RH (984)	16	SPD00984			
Main frame RH (985)	18	SPD00985			
Drive Couplings RH (1411)	20	SPD01411			
Cutterbar RH (982)	22	SPD00982			
Discharge unit RH (986)	24	SPD00986			
Leg stands (1099)	26	SPD01099			
Panels RH (987)	28	SPD00987			
Hydraulic & Electrical					
Hydraulic components (988)	30	SPD00988			
Electrical lighting (989)	32	SPD00989			
Decals					
Decals 1 (1201)	34	SPD01201			
Decals 2 (1202)	36	SPD01202			

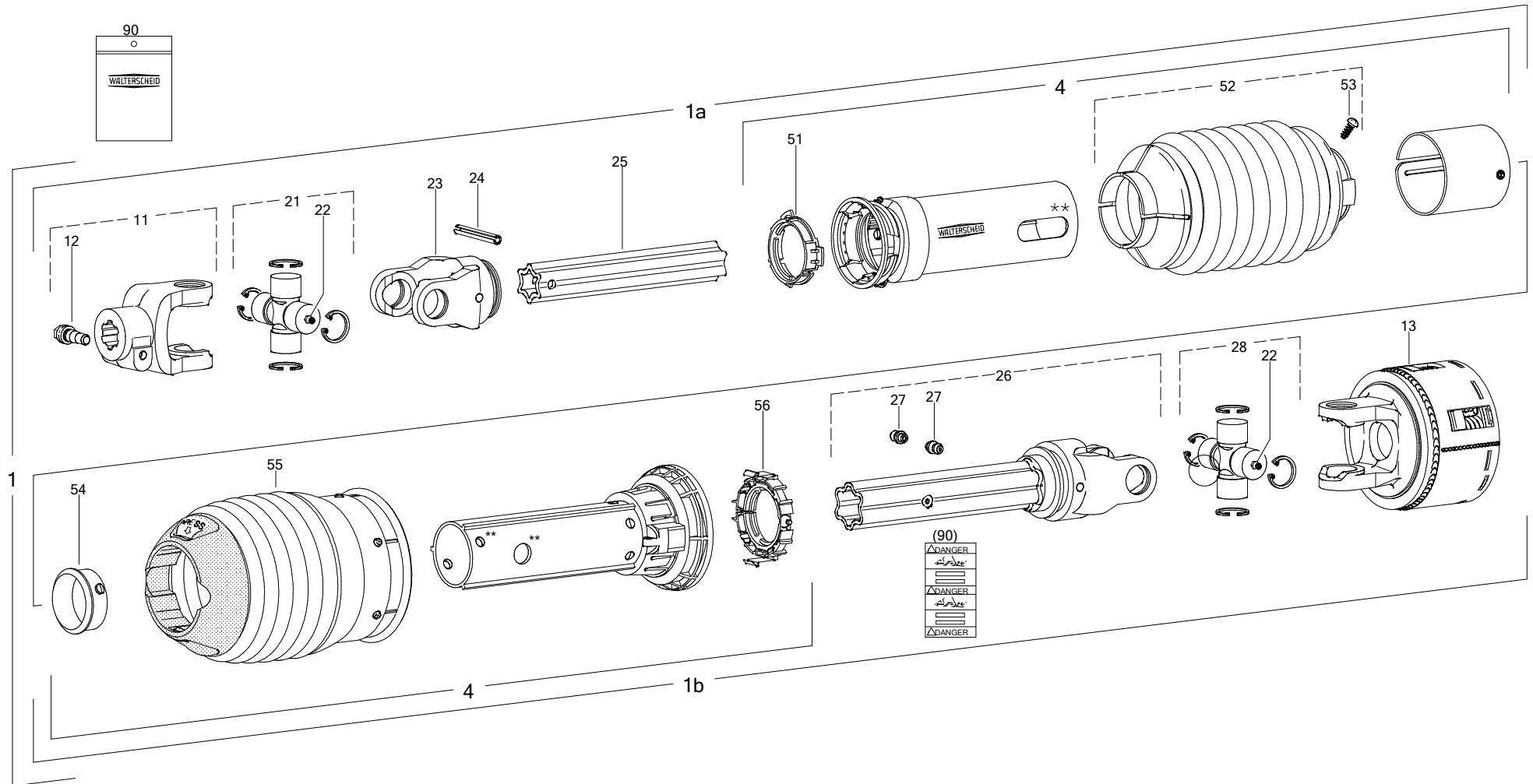
This page is intentionally left blank

PTO shaft primary (1017)



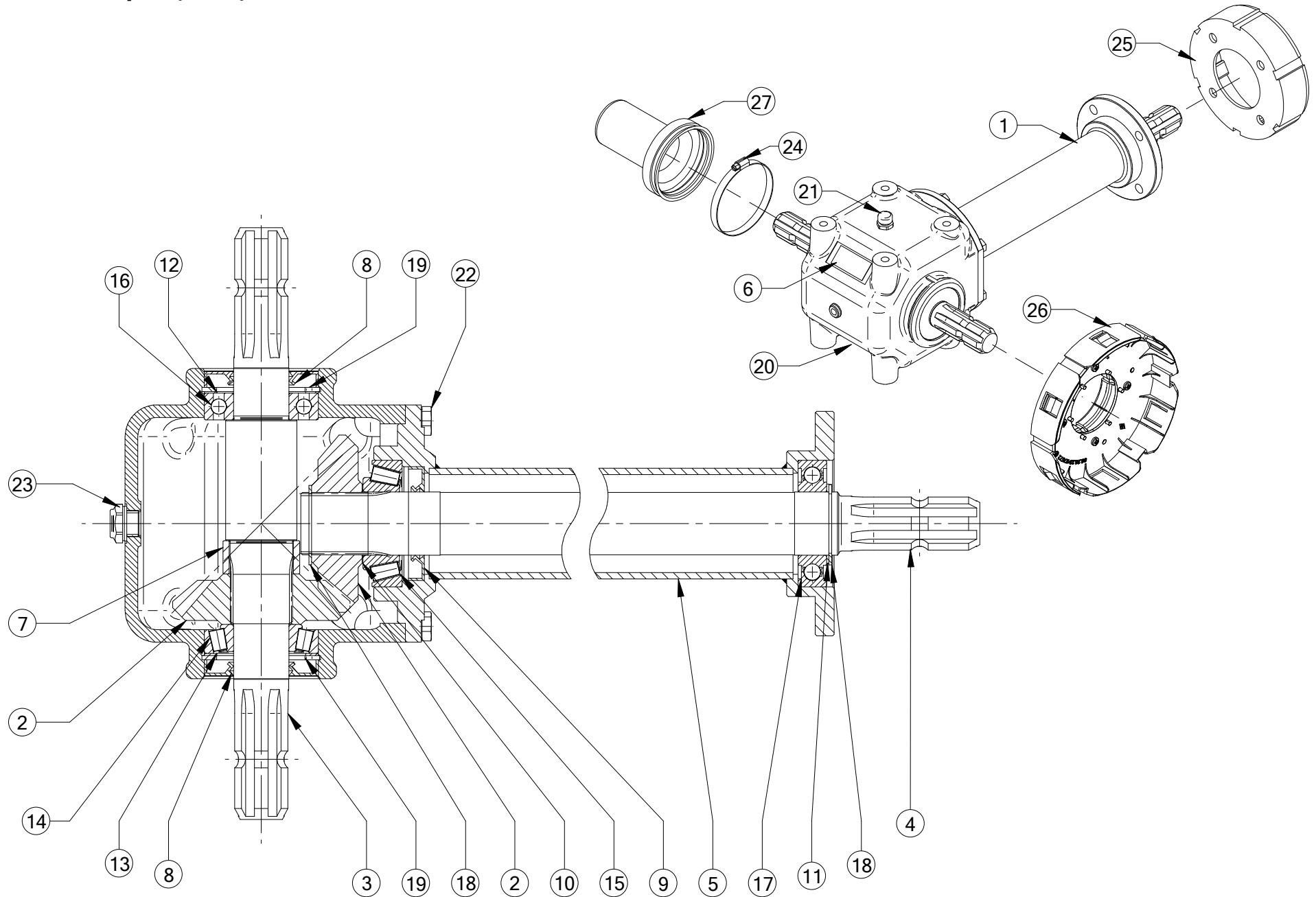
No.	Part No	Description	Qty
1	CMT00391	PTO SHAFT REAR MOWER MAINDRIVE <i>COMPLETE PTO SHAFT ASM (COMPRISES 1a & 1b)</i>	1
4	CGD00432	PTO GUARD PRIMARY SHAFT MOWERS <i>INNER & OUTER GUARDS</i>	1
11	CMT00435	YOKE QD COMP 2400 6 SPLINE 1 3/8 <i>SUITABLE FOR TRACTOR PTO 6 SPLINE 1 3/8 STUBSHAFT ONLY</i>	1
11	CMT00504	YOKE QD COMP 2400 21 SPLINE 1 3/8 <i>SUITABLE FOR TRACTOR PTO 21 SPLINE 1 3/8 STUBSHAFT ONLY</i>	1
11	CMT00685	YOKE QD COMP 2400 20 SPLINE 1 3/4 <i>SUITABLE FOR TRACTOR PTO 20 SPLINE 1 3/4 STUBSHAFT ONLY</i>	1
12	CMT00436	LOCK COMPLETE QS TYPE C P400 PTO SHAFT	1
13	CMT00437	CLAMP YOKE COMPLETE AGKF2400 PTO SHAFT	1
14	CFA00928	BOLT M12X75 8.8 Z/P DIN931	1
15	CFA00124	NUT M12 NYLOC	1
21	CMT00091	UNIVERSAL JOINT PTO CROSS 3500	2
22	CFA00097	GREASE NIPPLE PTO SHAFT	2
23	CMT00439	INBOARD YOKE RG2400-S4 PTO SHAFT	1
24	CFA00629	ROLL PIN 10X80 PTO SHAFT	2
26	CFA01134	SCREW 6X14 P400-PG25 PTO SHAFT	2
27	CMT00440	SEALING RING OUTER PROFILE S5 P400 PTO	1
28	CMT00441	PROFILE TUBE S5H 1000 PTO SHAFT P400	1
29	CMT00442	PLUG PROFILE S5 PTO SHAFT P400	1
30	CMT00443	INBOARD YOKE RG 2400-S5 PTO P400	1
51	CMT00242	PTO GUARD RING	2
52	CMT00241	PTO GUARD CONE	1
53	CMT00444	GUARD CONE PTO SHAFT P400	1
90	CST00132	DECAL WARNING PTO SHAFT	1

PTO shaft secondary RH [Up to Serial No 1002404 only on B9000] (1018)



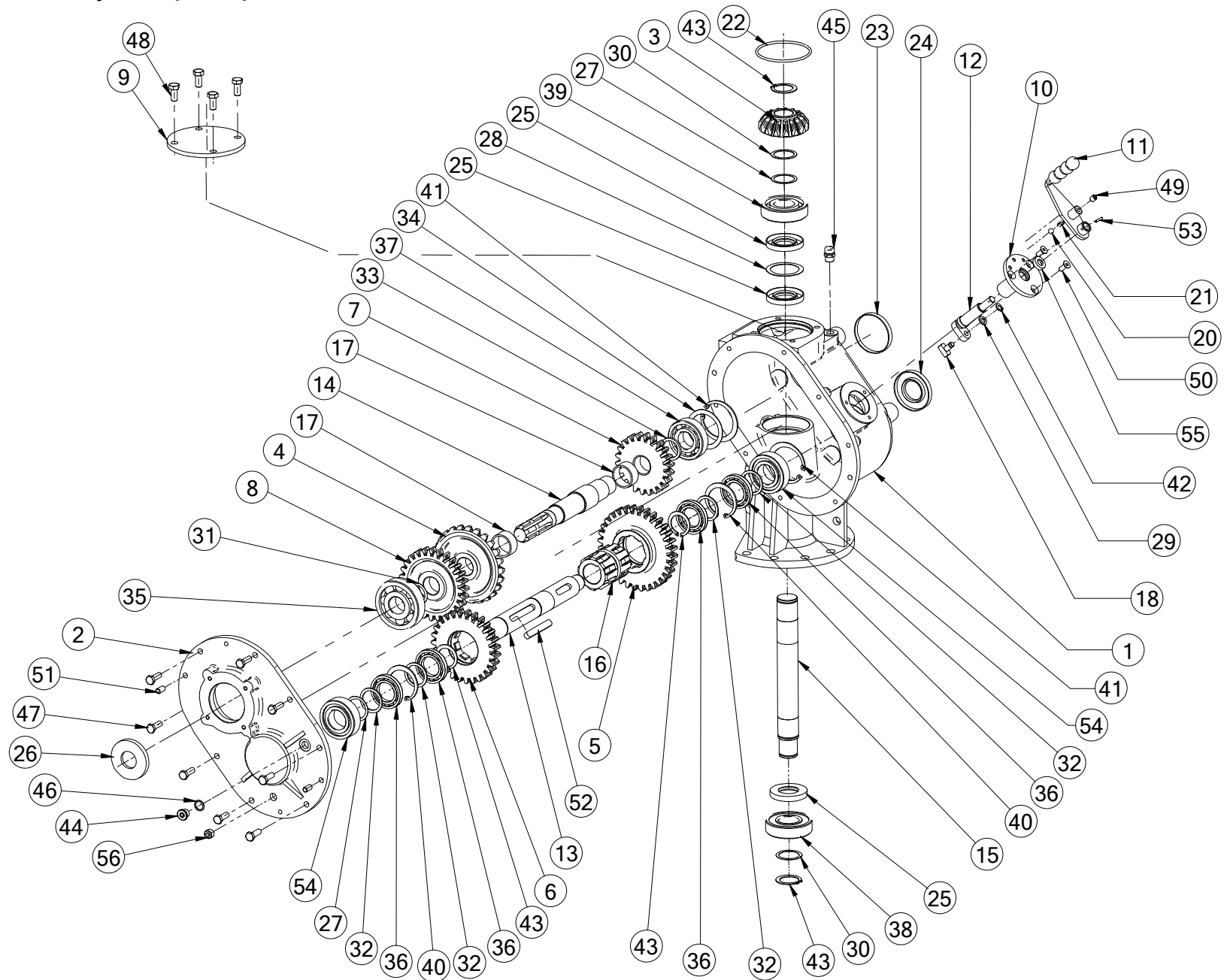
No.	Part No	Description	Qty
1	CMT00392	PTO SHAFT REAR MOWER SECONDARY <i>COMPLETE PTO SHAFT ASM (COMPRISED OF 1a & 1b)</i>	1
4	CGD00434	PTO GUARD SECONDARY REAR COMPLETE <i>INNER & OUTER GUARDS</i>	1
11	CMT00448	YOKE WITH CC LOCK AGCC2500 PTO SHAFT	1
12	CMT00158	CLAMP PIN BALER PTO SHAFT 7540	1
13	CMT00449	CLUTCH FRICTION OVERRUN FK964R2400 RH PTO	1
13a	CMT00400	CLUTCH KIT WALTERSCHEID C4 SERIES <i>CLUTCH REPAIR KIT COMPRISING OF 2 + 4 WEAR DISCS FOR CMT00269</i>	1
13b	CMT00388	CLAMP PIN C3-C4 PTO SHAFT 8494 <i>BOLT-PIN TO SECURE PTO SHAFT TO PTO STUB ON MACHINE GEARBOX</i>	1
13c	CMT00422	CLAMP RING FRICTION CLUTCH <i>CLAMP RING TO SECURE PTO SHAFT TO PTO STUB ON MACHINE GEARBOX</i>	1
13d	CMT00423	SPLIT PIN FOR CLAMP RING <i>ROLL PIN TO SECURE CLAMP RING</i>	1
21	CMT00240	UNIVERSAL JOINT PTO 2500 P	1
22	CFA00097	GREASE NIPPLE PTO SHAFT	2
23	CMT00450	INBOARD YOKE RG2500-S4 PTO SHAFT	1
24	CFA00871	ROLL PIN 10X90	1
25	CMT00451	TUBE PROFILE S4LH-680 PTO SHAFT	1
26	CMT00452	SHAFT & YOKE ASM 2400 S5H-600 PTO	1
27	CMT00453	FITTING GREASE DRIVE-IN TYPE 4-6 PTO	2
28	CMT00091	UNIVERSAL JOINT PTO CROSS 2400	1
51	CMT00095	BEARING RING SMALL FUSION PTO	1
52	CMT00454	GUARD CONE RIBBED PK500-400 PTO SHAFT	1
53	CFA00630	SCREW M4X10 FUSION PTO	2
54	CMT00456	BEARING RING PK500-400 PTO SHAFT	1
55	CMT00457	CONE ADAPTOR 367MM PK500-400 PTO	1
56	CMT00242	PTO GUARD RING	1
90	CST00132	DECAL WARNING PTO SHAFT	1

Gearbox input (1101)



No.	Part No	Description	Qty
1	CMT00406	GEARBOX R3100 625MM INPUT	1
<i>COMPLETE GEARBOX ASSEMBLY (DOES NOT INCLUDE ITEMS 24, 25, 26 & 27)</i>			
2	CMH03065	GEAR BEVEL Z21	2
3	CMH03066	SHAFT STEPPED	1
4	CMH03067	SHAFT LONG	1
5	CMT00543	EXTENSION HOUSING CMT00406	1
6	CST00978	DECAL GEARBOX CMT00406	1
7	CMT00539	SPACER SLEEVE	1
8	CSE00841	SEAL OIL AS 35X72X10 DIN 3760	2
9	CSE00839	SEAL OIL AS 40X72X10 DIN 3760	1
10	CFA01230	SHIM 40X50X0.5 DIN 988	1
11	CFA01223	SHIM 40X50X1.5 DIN 988	1
12	CFA01211	SHIM 56X72X1 DIN 988	1
13	CFA01224	SHIM 56X72X1.5 DIN 988	1
14	CBR00375	BEARING TAPER 30207 (35X72X18.25)	1
15	CBR00373	BEARING TAPER 32208 (40X80X24.75)	1
16	CBR00389	BEARING BALL 6207 DIN 625	1
17	CBR00037	BEARING 6208 2RS1 DIN 625	1
18	CFA00551	CIRCLIP 40MM EXTERNAL DIN 471	2
19	CFA00873	CIRCLIP 72MM INTERNAL DIN 472	2
20	CFA01222	PLUG 3/8 TAPER DIN 906	1
<i>DRAIN PLUG</i>			
21	CMT00478	3/8" BREATHER MODEL 33A	1
<i>FILLER BREATHER PLUG</i>			
22	CFA00024	SETSCREW M10X25 Z/P	6
23	CFA01225	SIGHT GLASS G 3/8 W/WASHER	1
<i>SIGHT LEVEL PLUG</i>			
24	CFA01108	JUBLIEE CLIP 90MM-110MM	1
25	CMT00394	PTO SHAFT MOWERBED GUARD SEC DRIVE	1
26	CMT00395	PTO SHAFT GEARBOX ADAPTOR RING	1
27	CMT00396	GUARD FOR SPARE GEARBOX PTO SHAFT	1

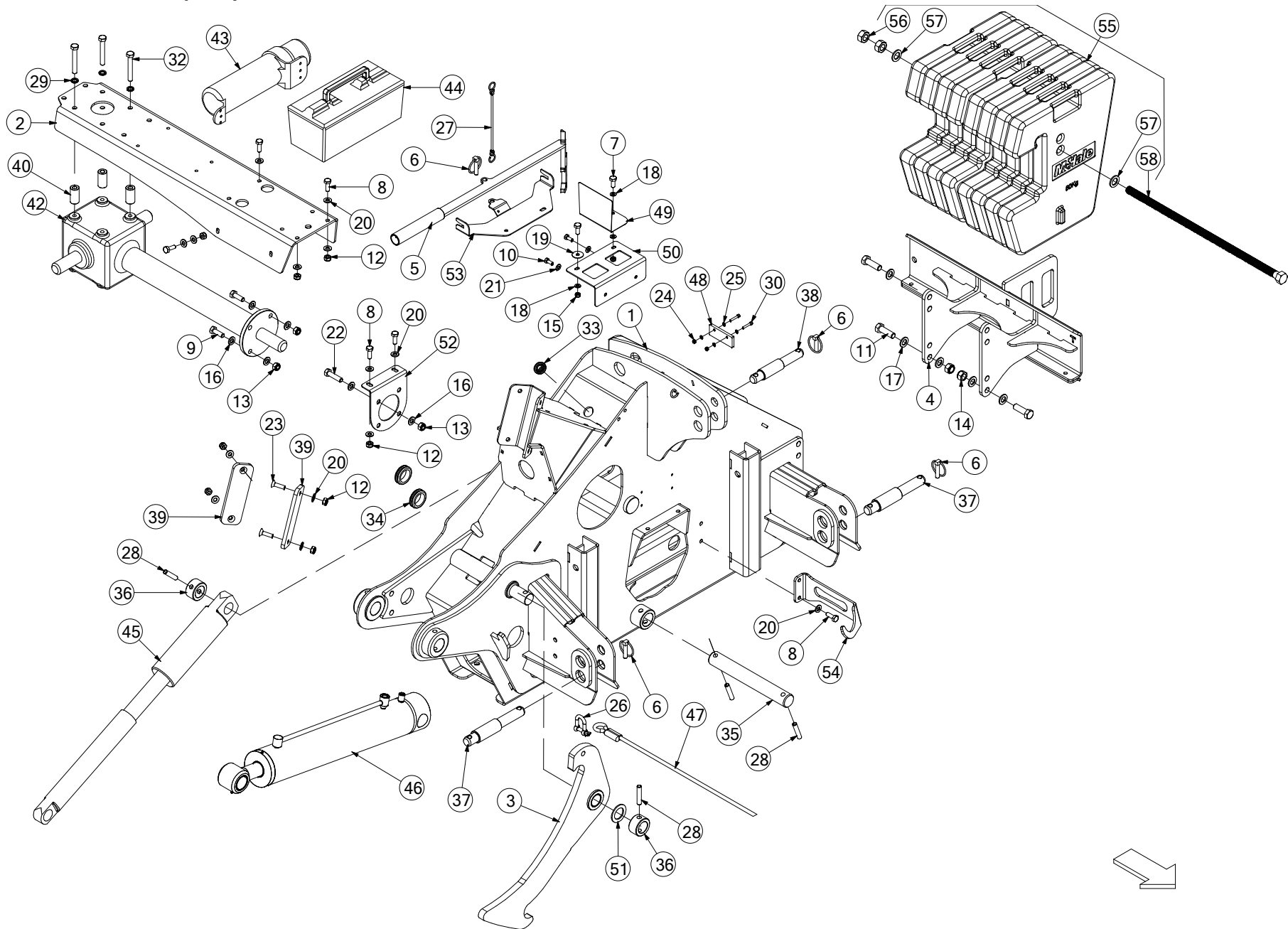
Gearbox RH 2 speed (1102)



No.	Part No	Description	Qty
1	CMT00361	CONDITIONER GEARBOX FRONT MOWER 2 SPD <i>USED ON F3100 FRONT MOWER ONLY</i>	1
1	CMT00380	GEARBOX REAR MWR 2 SPD CONDR <i>USED ON R3100/B9000 REAR MOWERS ONLY</i>	1
2	CMT00533	GEARBOX COVER PLATE	1
3	CMH03058	GEAR BEVEL Z15	1
4	CMH03059	GEAR BEVEL Z25	1
5	CMH03060	GEAR SPUR Z32	1
6	CMH03061	GEAR SPUR Z27	1
7	CMH03062	GEAR SPUR Z22	1
8	CMH03063	GEAR SPUR Z27	1
9	CMH03064	GEARBOX LID <i>USED ON R3100/B9000 MODELS ONLY</i>	1
10	CMT00534	GEARBOX SELECTOR COVER ASSY	1
11	CMT00535	GEARBOX SELECTOR HANDLE ASSY	1
12	CTP00583	STUBSHAFT GEAR SELECTOR	1
13	CMT00536	SHAFT CONDITIONER OUTPUT	1
14	CMT00415	SHAFT PTO INPUT GEARBOX R3100 <i>USED ON R3100/B9000 GEARBOX CMT00380 ONLY</i>	1
14	CMT00544	SHAFT IDLE GEARBOX <i>USED ON F3100 GEARBOX CMT00361 ONLY</i>	1
15	CMT00537	SHAFT OUTPUT GEARBOX	1
16	CMT00538	SLIDING SELECTOR SLEEVE	1
17	CMT00539	SPACER SLEEVE	2
18	CMT00540	SELECTOR FORK/KEY	1
20	CTP00755	10MM BEARING BALL	1
21	CSG00328	SPRING COMPRESSION	1
22	CSE00838	O-RING 100X4	1
23	CSE00629	CAP SEAL CORE PLUG 80X10	1
24	CSE00633	OIL SEAL RADIAL 40X80X10	1
25	CSE00839	SEAL OIL AS 40X72X10 DIN 3760	3
26	CSE00132	SEAL RADIAL 35X80X10 DIN 3760 <i>USED ON R3100/B9000 GEARBOX CMT00380 ONLY</i>	1
27	CFA01230	SHIM 40X50X0.5	2
28	CFA01211	SHIM 56X72X1 DIN 988	1
29	CFA01212	SHIM 10X16X2 DIN988	1
30	CFA00265	SHIM 40X50X1.0 DIN988	2
31	CFA02259	SHIM 35X45X.5 DIN988	1
32	CFA01213	SHIM SS 40X50X2.5 DIN988	4
33	CMT00541	GEAR SPACER	1
34	CFA01214	SHIM 63X80X1 DIN988	1
35	CBR00386	BEARING 6407	1
36	CBR00387	BEARING 16008	4
37	CBR00335	BEARING GROOVE 6307 2RS NR SKF	1
38	CBR00286	BEARING 6308 2RS	1
39	CBR00331	BEARING 6308	1
40	CFA01215	CIRCLIP INTERNAL W 68	2
41	CFA00882	CIRCLIP 80MM INTERNAL DIN 472	2
42	CFA00499	CIRCLIP 10MM EXTERNAL	1
43	CFA00551	CIRCLIP 40MM EXTERNAL DIN 471	4

44	CFA01216	PLUG G3/8 DIN908	1
45	CMT00478	PLUG 3/8" BREATHER MODEL 33A	1
45a	CMT00566	3/8 BREATHER 40MM TUBE <i>EXTENSION BREATHER TUBE</i>	1
46	CFA01217	WASHER ALUMINIUM 1.5X17X22	1
47	CFA00025	SETSCREW M10X30 Z/P	8
48	CFA00031	SETSCREW M12X25 Z/P <i>USED TO ATTACH GEARBOX LID ON R3100/B9000 GEARBOX CMT00380 ONLY</i>	4
48	CFA00032	SETSCREW M12X30 Z/P <i>USED TO ATTACH INPUT DRIVE GEARBOX ON F3100 GEARBOX CMT00361 ONLY</i>	4
49	CFA01218	GRUBSCREW M10X10 8.8 DIN913	1
50	CFA00765	SETSCREW M8X20 CSK Z/P DIN7991	3
51	CFA01219	CYLINDRICAL PIN 10M6X20	2
52	CFA01220	KEY A 12X8X86	1
53	CFA01221	ROLL PIN 4X22	1
54	CBR00388	BEARING 4208	2
55	CSE00840	SEAL RADIAL SHAFT AS 14X26X7	1
56	CFA01222	PLUG 3/8 TAPER DIN 906	1

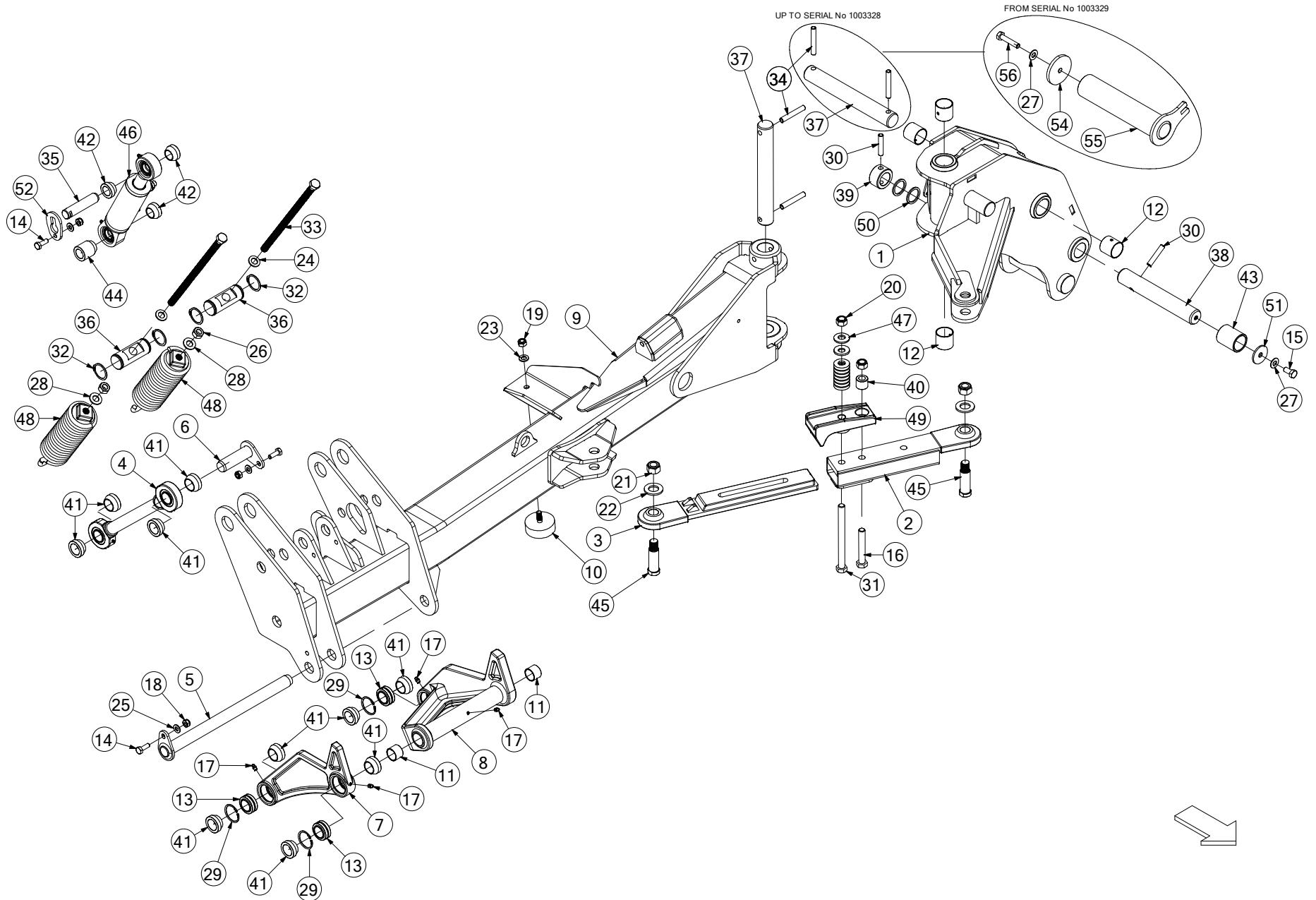
Headstock frame (983)



No.	Part No	Description	Qty
1	ACH01738	R3100 STD FRAME WELD ASSY 60MM PIN	1
<i>ALSO ORDER KIT KST00171 FOR MACHINES PRIOR TO SERIAL No 1003329 TO CONVERT TO 60MM MAIN PIVOT</i>			
2	ACH02991	R3100 GEARBOX MOUNT BRKT	1
3	ALA00715	SAFETY LATCH SIDE MOUNT MOWER	1
4	ALA00774	WEIGHT BRACKET REAR MOWER	1
5	ALA01055	MOWER BLADE RELEASE HANDLE	1
6	CFA00005	LINCH PIN 10MM	4
7	CFA00024	SETSCREW M10X25 Z/P	2
8	CFA00025	SETSCREW M10X30	10
9	CFA00033	SETSCREW M12X35 Z/P	2
10	CFA00052	SETSCREW M8X20 Z/P	2
11	CFA00116	BOLT M16X50 Z/P	8
12	CFA00123	NUT M10 NYLOC	12
13	CFA00124	NUT M12 NYLOC	4
14	CFA00128	NUT M16 NYLOC	8
15	CFA00132	NUT M8 NYLOC Z/P	2
16	CFA00138	WASHER FLAT 12MM Z/P	8
17	CFA00140	WASHER FLAT 16MM Z/P	16
18	CFA00147	WASHER FLAT 8MM Z/P	3
19	CFA00149	WASHER MUDWING 8X31.75 OD	1
20	CFA00201	WASHER FLAT 10 MM Z/P	22
21	CFA00249	WASHER SKM8	2
22	CFA00270	SETSCREW M12X50 Z/P	2
23	CFA00290	SETSCREW M10X30 CSK HEX Z/P	4
24	CFA00321	NUT M5 NYLOC	2
25	CFA00337	WASHER FLAT 5MM Z/P	4
26	CFA01244	D SHACKLE 12MM	1
<i>REPLACES CFA00457</i>			
27	CFA00476	RUBBER STRAP 240 MM	1
28	CFA00504	ROLL PIN 12X60 ZP	4
29	CFA00799	WASHER M12 NORDLOC	4
30	CFA00913	BOLT M5X30 SOC CAP ZP	2
32	CFA02256	BOLT M12X85 Z/P	4
33	CFA02333	GROMMET 29X10MM	1
34	CFA02342	GROMMIT 44.3X38.1X6.4	2
35	CMH01616	SHAFT 40X300 Z/P	1
36	CMH01622	BUSH 40X60X30 Z/P	2
37	CMH01644	PIN CAT 2/3 LOWER LINK	2
38	CMH01645	PIN CAT 2/3 UPPER LINK	1
39	CMH01712	10MM WEAR PLATE TRANSPORT LATCH	2
40	CMH02785	BUSH 12X25X48	4
42	CMT00406	GEARBOX REAR MOWER 625MM INPUT	1
<i>REPLACES CMT00374</i>			
43	CPL00221	MACHINE MANUAL HOLDER CIRCULAR	1
44	CPL00222	TOOL BOX PLASTIC (SERKO)	1
45	CRA00775	RAM SIDE MOUNT MOWER FLOATION	1
45a	CSE00847	SEAL KIT 60MM SUSPENSION RAM	1
<i>SEAL KIT FOR CRA00775 RAM</i>			
46	CRA00834	LIFT RAM R3100 CUSHIONED	1
<i>REPLACES CRA00817 & CRA00772</i>			

47	CTP00491	PULL ROPE MOWER TRANSPORT LATCH	1
48	CTP00598	BALL INCLINOMETER +/-10 DEG	1
49	CZB00303	1.5MM TOOL BOX DIVIDER	1
50	CZC02559	3MM TOOLBOX BRACKET FUSION VARIO	1
51	CZC02614	3MM SPACER WASHER 35MM	1
52	CZC05242	3MM R3100 GEARBOX FLANGE BRKT	1
53	CZC05346	3MM TOOL BOX + HANDLE BRKT	1
54	CZF07115	6MM PTO STAND MOWER	1
55	AMR00093	400KG COUNTER WEIGHT R3100	1
<i>INCLUDES ITEMS 56, 57 & 58</i>			
56	CFA00304	NUT M20	2
57	CFA00413	WASHER FLAT 20MM Z/P	2
58	CFA01088	SETSCREW M20X600 Z/P DIN933	1

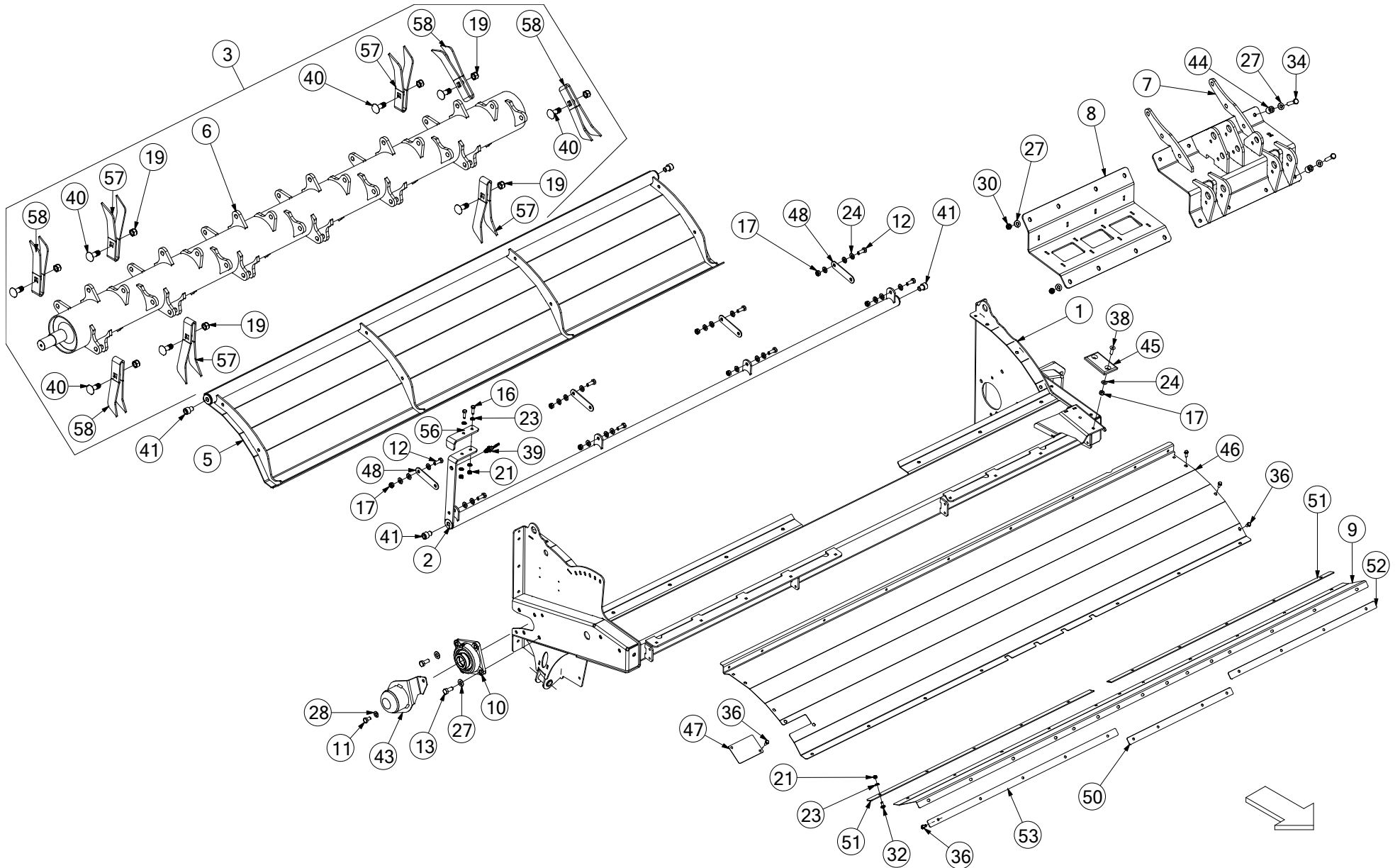
Suspension arm RH (984)



No.	Part No	Description	Qty
1	ACH01429	REAR MOWER PIVOT ARM WELD ASSY	1
<i>UP TO SERIAL No 1003328</i>			
1	ACH01740	R3100 PIVOT ARM 60MM PIN WELD	1
<i>FROM SERIAL No 1003329</i>			
2	ALA00717	BRAKE BACK TOP WELD ASSY	1
3	ALA00718	BRAKE BACK RELEASE BOTTOM WELD	1
4	ALA00725	LINK ARM SIDE MOUNT MOWER	1
<i>UP TO SERIAL No 1003328</i>			
4	ALA00882	LINK ARM 390MM SIDE MOUNT MOWER	1
<i>FROM SERIAL No 1003329</i>			
5	ALA00730	PIN 30X445 WELD ON CAP	1
6	ALA00748	PIN 30X105 MOWER SUSPENSION	1
7	ALA00782	LINK ARM SIDE MOUNT MOWER	1
<i>INCLUDES ITEMS 13, 17 & 29</i>			
8	ALA00783	LINK ARM A FRAME MOWER	1
<i>INCLUDES ITEMS 11, 13, 17 & 29</i>			
9	ACH01594	MOWER SUSPENSION ARM WELD ASSY	1
<i>(REPLACES ALA00791) ALSO ORDER ALA00882 FOR MACHINES PRIOR TO SERIAL No 1003329</i>			
10	CBE00275	BUFFER RUBBER 75X25 M12X30	1
11	CBR00007	BEARING GLACIER PM 3025 DX	2
12	CBR00082	BEARING GLACIER 4040 SY	4
<i>QTY = 2 FROM SERIAL No 1003329</i>			
12	CBR00019	BEARING GLACIER PM 6060 DX	2
<i>FROM SERIAL No 1003329</i>			
13	CBR00127	BEARING SPHERICAL 30MM GE30ES 2RS	3
14	CFA00025	SETSCREW M10X30	3
15	CFA00031	SETSCREW M12X25 Z/P	1
16	CFA00040	BOLT M16X100 Z/P	1
17	CFA00118	GREASE NIPPLE M8X1.25 STRAIGHT	4
18	CFA00123	NUT M10 NYLOC	3
19	CFA00124	NUT M12 NYLOC	1
20	CFA00128	NUT M16 NYLOC	2
21	CFA00129	NUT M20 NYLOC	2
22	CFA00135	WASHER FLAT 1" Z/P	2
23	CFA00138	WASHER FLAT 12MM Z/P	1
24	CFA00782	WASHER PEINER M16 GALV DIN6916	2
25	CFA00201	WASHER FLAT 10 MM Z/P	3
26	CFA00231	NUT M16 Z/P	2
27	CFA00250	WASHER SKM12	1
28	CFA00252	WASHER SKM16	2
29	CFA00458	47MM INTERNAL CIRCLIP DIN 472	3
30	CFA00504	ROLL PIN 12X60 Z/P	2
31	CFA00621	BOLT M16X190 Z/P	1
32	CFA01079	CIRCLIP 40MM EXTERNAL STAINLESS STEEL	4
33	CFA01089	BOLT M16X340 Z/P	2
34	CFA02370	ROLL PIN 12X80 Z/P	4
35	CMH00443	PIN 25 X 110 MILLED FOR CAP Z/P	1
36	CMH01593	PIN 40X105 Z/P	2
37	CMH01616	SHAFT 40X300 Z/P	2
<i>QTY = 1 FROM SERIAL No 1003329</i>			
38	CMH01618	SHAFT 40X263 Z/P	1

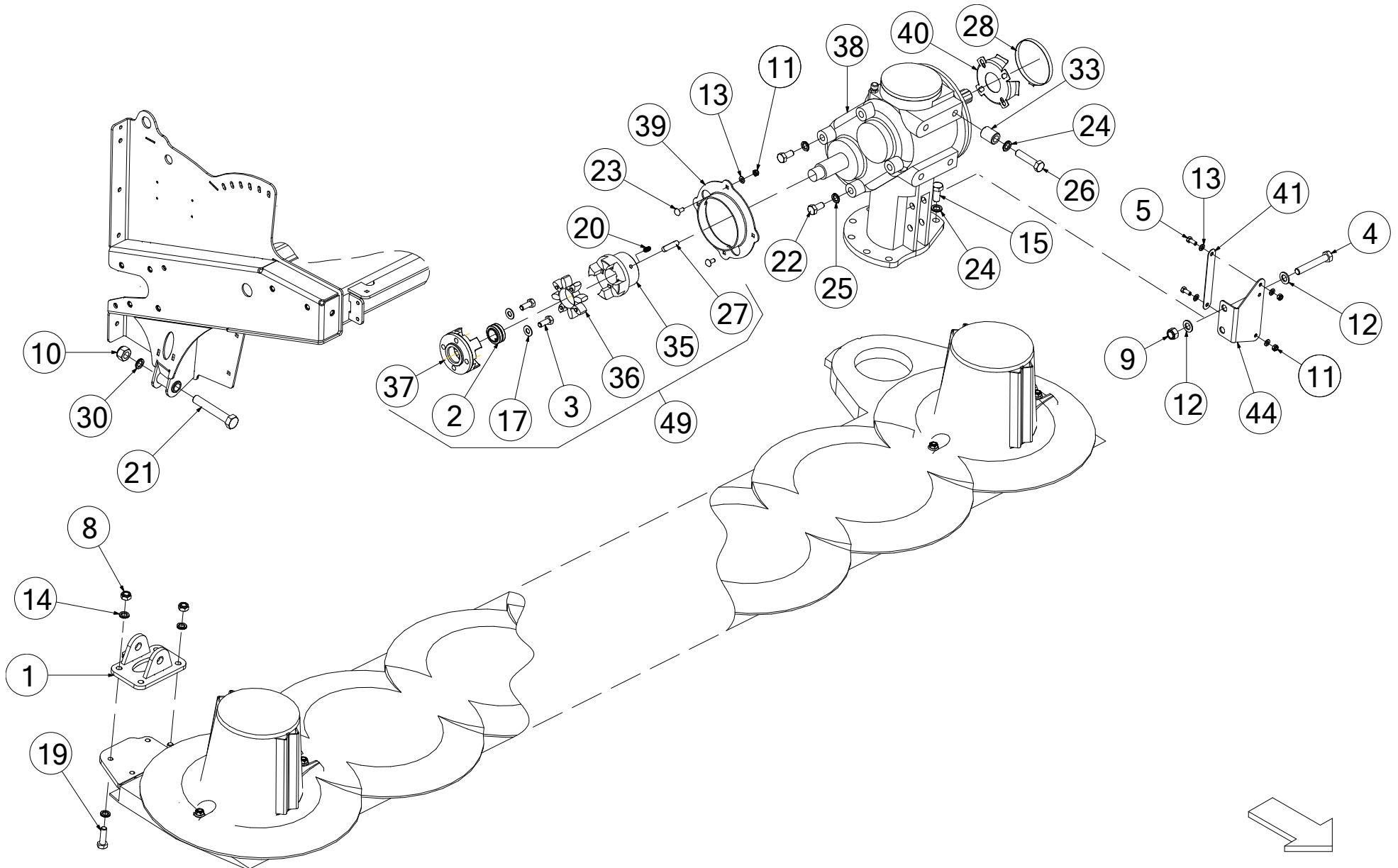
39	CMH01622	BUSH 40X60X30 Z/P	1
40	CMH01626	BUSH 17X30X25 Z/P	1
41	CMH01641	BUSH 30X45X21 Z/P	10
42	CMH01643	BUSH 25X40X21 Z/P	3
43	CMH01685	BUSH 40X50X60 Z/P	1
44	CMH01718	BUSH 25X40X47 Z/P	1
<i>UP TO SERIAL No 1004358</i>			
44	CMH01643	BUSH 25X40X21 Z/P	1
<i>FROM SERIAL No 1004359</i>			
45	CMH03019	PIN 25X98&M20 THREAD STEPPED	2
46	CRA00801	RAM MOWER SUSPENSION HD	1
<i>REPLACES CRA00769</i>			
46a	CVA00465	FLOATING RESTRICTOR 0.7MM	1
46b	CHY00937	WASHER DOWTY M18	1
46c	CHY01055	ADAPTOR M18MX1/4M	1
47	CSG00275	SPRING BELVILLE HEAVY DUTY	18
48	CSG00298	MOWER REAR SUSPENSION SPRING	2
49	CTP00496	BRAKE BACK TOP PLATE FORGED	1
50	CZC05120	3MM L WASHER 36X45X3 Z/P	3
51	CZD03017	4MM L WASHER 12.5X50X4 Z/P	1
52	CZF00293	6MM L CAP SHORT FOR 25MM PINS	1
54	CZG02640	8MM PIN CAP PART B9000 MOWER	1
<i>FROM SERIAL No 1003329</i>			
55	ALA01022	PIN ASSY 60X285 B9000 MOWER	1
<i>FROM SERIAL No 1003329</i>			
56	CFA00076	BOLT M12X60 Z/P	1
<i>FROM SERIAL No 1003329</i>			

Main frame RH (985)



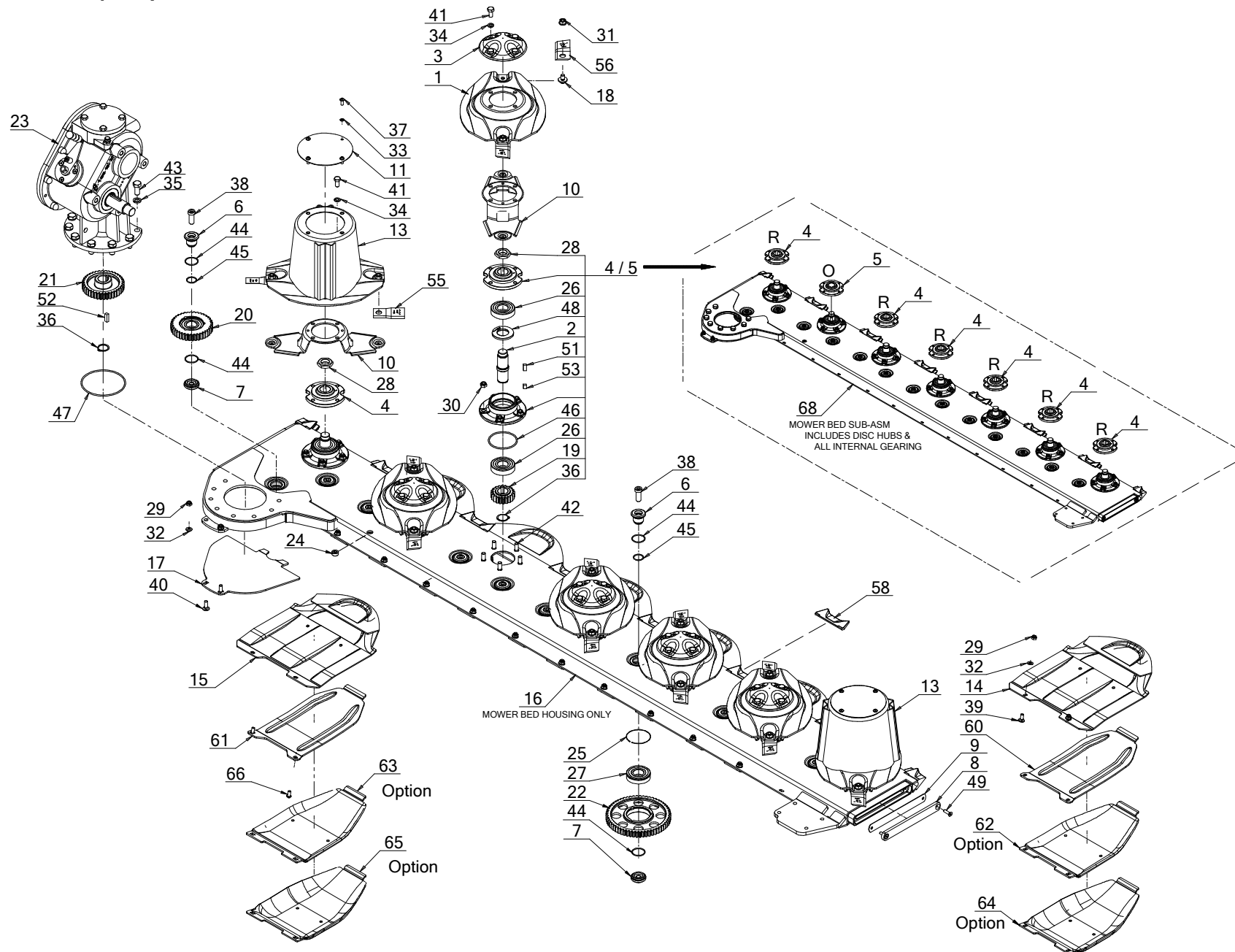
No.	Part No	Description	Qty
1	ACH01779	MOWER CHASSIS 3M WELD ASM RH	1
	<i>REPLACES ACH01612</i>		
2	ACH02840	MOWER CONDITIONER BAFFLE WELD ASS	1
3	ACH02843	MOWER CONDITIONER COMPLETE ASSEMBLY	1
	<i>INCLUDES ITEMS 6, 19, 40, 57 & 58</i>		
5	ACH03089	MOWER CONDITIONING HOOD 3M	1
	<i>REPLACES ACH02861</i>		
6	ACH03318	MOWER CONDITIONER 3M	1
	<i>REPLACES ACH02952</i>		
7	ACH01661	REAR MOWER CONNECTING BRACKET R/H	1
8	ACH01663	MOWER CONNECTING CLAMP BRACKET	1
9	CBE00407	CURTAIN R3100 CONDITIONER PLATE	1
10	CBR00126	BEARING SQ FLANGE 40MM ESFE 208 (SNR)	1
11	CFA00023	SETSCREW M10X20 Z/P	2
12	CFA00025	SETSCREW M10X30	9
13	CFA00032	SETSCREW M12X30 Z/P	4
16	CFA00102	SETSCREW M8X25 Z/P	2
17	CFA00123	NUT M10 NYLOC	10
19	CFA00128	NUT M16 NYLOC	48
21	CFA00132	NUT M8 NYLOC Z/P	15
23	CFA00147	WASHER FLAT 8MM Z/P	17
24	CFA00201	WASHER FLAT 10 MM Z/P	25
27	CFA00250	WASHER SKM12	20
28	CFA00251	WASHER SKM10	2
30	CFA00417	NUT M12X1.5 (10) NYLOC DIN 985	8
32	CFA00506	SETSCREW M8X20 CUPHEAD SQ ZP	10
34	CFA00586	BOLT M12X60X10.9 FINETHREAD ZP	8
36	CFA00766	SETSCREW M8X20 FLANGED DIN6921 Z/P	20
38	CFA00908	SETSCREW M10X25 CSK HEX Z/P	2
39	CFA02300	M12 INDEX PLUNGER	1
40	CFA02305	BOLT CUPHEAD M16X47 12.9	48
41	CFA02306	SETSCREW M16X20 SOC CAP 10.9 Z/P	4
43	CGD00564	CONDITIONER BEARING CAP	1
	<i>REPLACES AGD00048</i>		
44	CMH00745	BUSH 12X25X25	8
45	CPL00264	MOWER SLIDE PLATE HDPE	1
46	CZB00529	2MM MOWER CONITIONER HOOD R 3M	1
47	CZB02596	1.5MM L PLATE MOWER COVER	1
48	CZC03826	3MM L CONDITIONER BAFFLE	4
50	CZC05811	3MM CURTAIN RETAINER STRAP	1
51	CZC05803	3MM CURTAIN RETAINER STRAP	2
52	CZC05810	3MM CURTAIN RETAINER STRAP	1
53	CZC05809	3MM CURTAIN RETAINER STRAP	1
56	CZF07383	6MM L MOWER CONDITIONER HANDLE	1
57	CZF08035	6MM L MOWER CONDITIONER TINE	44
	<i>REPLACE IN BALANCED PAIRS 180° APART AT ANY POSITION OF THE DRUM (REPLACES CZF07385)</i>		
58	CZF08722	6MM L MOWER CONDITIONER TINE (SHORT)	4
	<i>REPLACE IN BALANCED PAIRS 180° APART ON THE DRUM ENDS ONLY (REPLACES CZF07397)</i>		

Drive Couplings RH (1411)



No.	Part No	Description	Qty
1	ACH02838	MOWER CUTTERBAR MOUNTING BRACKET	1
2	CBR00127	BEARING SPHERICAL 30MM GE30ES 2RS	1
3	CFA00032	SETSCREW M12X30 Z/P	4
4	CFA00040	BOLT M16X100 Z/P	2
5	CFA00052	SETSCREW M8X20 Z/P	2
8	CFA00126	NUT M14 NYLOC	4
9	CFA00128	NUT M16 NYLOC	2
10	CFA00129	NUT M20 NYLOC	1
11	CFA00132	NUT M8 NYLOC Z/P	4
12	CFA00140	WASHER FLAT 16MM Z/P	4
13	CFA00147	WASHER FLAT 8MM Z/P	6
14	CFA00222	WASHER FLAT 14MM Z/P	8
15	CFA00229	SETSCREW M16X35 Z/P	8
17	CFA00250	WASHER SKM12	4
19	CFA00038	BOLT M14X50 Z/P	4
20	CFA00319	GRUBSCREW M8X20	1
21	CFA00395	BOLT M20X120 Z/P	1
22	CFA00398	SETSCREW M14X30 Z/P	4
23	CFA00506	SETSCREW M8X20 CUPHEAD SQ ZP	2
24	CFA00783	WASHER NL16 NORD-LOCK	13
25	CFA01030	WASHER M14 NORDLOCK	4
26	CFA00739	BOLT M16X70 Z/P	4
27	CFA01076	KEY 12X8X50	1
28	CFA01086	JUBILEE CLIP 110MM-130MM	1
30	CFA02223	WASHER PEINER M20 GALV DIN6916	1
33	CMH01028	BUSH 17X30X39	4
35	CMT00365	COUPLING JAW (STANDARD 48)105 OD	1
36	CMT00366	COUPLING SPIDER 48-98 SHORE	1
37	CMT00367	COUPLING JAW (FLANGE MOUNTING 48)105 OD	1
38	CMT00380	GEARBOX REAR MOWER 2 SPEED	1
39	CTP00725	MOWER CONDITIONER SEAL EXTERNAL	1
40	CTP00585	PTO GUARD 115MM DIA	1
	<i>REPLACES CGD00392</i>		
41	CZB02532	1.5MM L MOWER GUARD	1
44	CZC05585	3MM MOWER GUARD BRKT	1
49	KST00103	COUPLING JAW+SPIDER KIT MOWER	1
	<i>INCLUDES ITEMS 2, 3, 17, 20, 27, 35, 36, 37 & GEARBOX SHAFT SEAL CSE00633</i>		

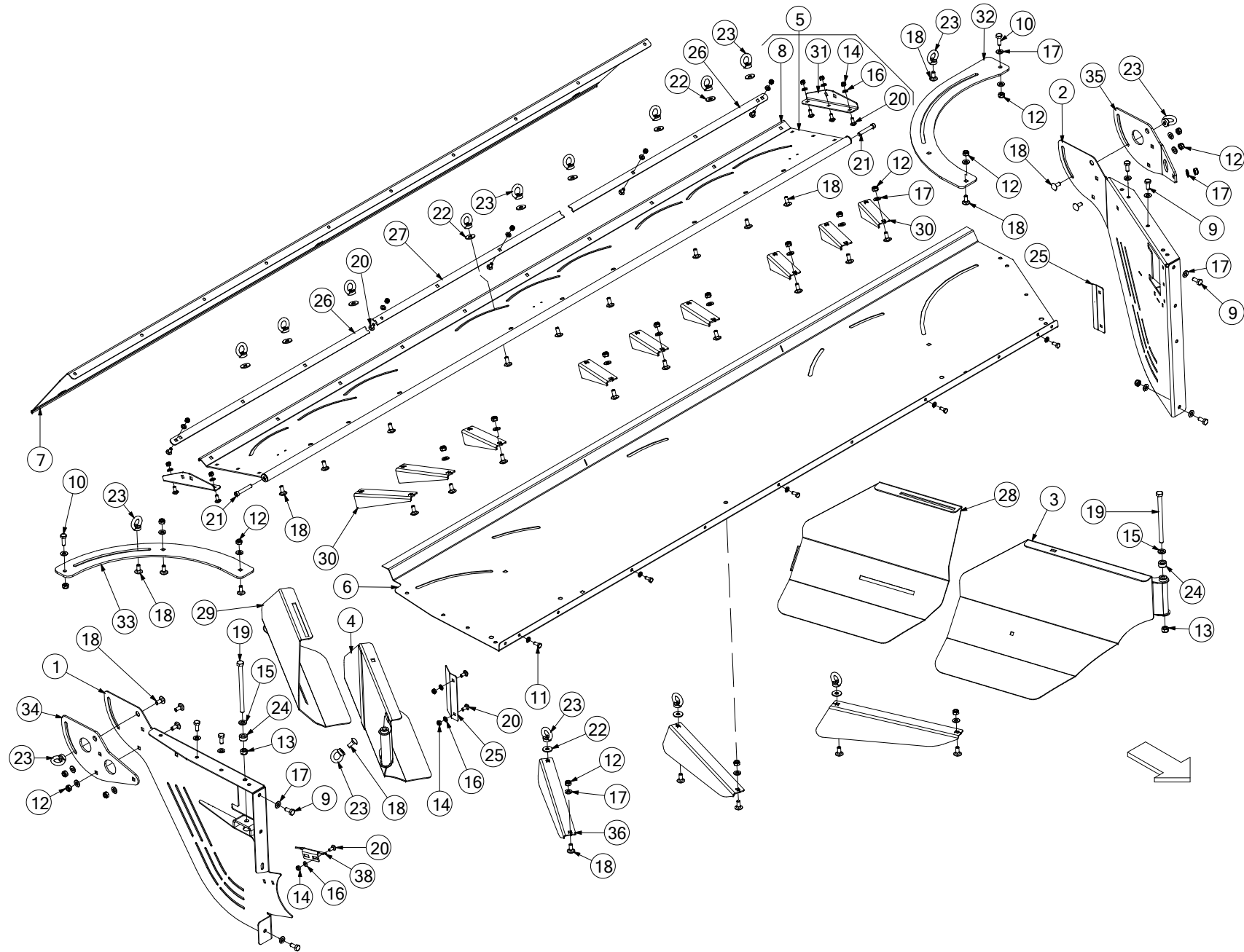
Cutterbar RH (982)



No.	Part No	Description	Qty
0	CMT00356	MOWER CUTTERBAR ASM COMPLETE RH	1
1	ART00376	MOWER DISK W/SPLINED HOLE	5
<i>UP TO SERIAL No 1002499 (INCLUDES ITEMS 18 & 31)</i>			
1	ART00386	MOWER DISC W/SQ STUD HOLE	5
<i>FROM SERIAL No 1002500 (INCLUDES ITEMS 18 & 31)</i>			
1	ART00404	MOWER DISC HALF DRUM	1
<i>THIS CAN BE FITTED AT DISC 2 NEXT TO ITEM 13 (GEARBOX END) TO IMPROVE CROP FLOW IN HEAVY RYE GRASS</i>			
2	CMH01691	SHAFT PINION L120 MOWER HUB	7
3	CZB00304	COVER CAP DISC MOWER	5
4	AAX00001	DISC HUB ASM UPPER (R)	6
5	AAX00002	DISC HUB ASM UPPER (O)	1
6	CMH01696	IDLER HOLDER UPPER MOWER BED	13
7	CMH02764	IDLER HOLDER LOWER MOWER	13
8	CMH01742	BAR CLOSURE 2X CSK HOLES MOWER BED	1
9	CBE00335	GASKET BAR RUBBER MOWER BED	1
10	CZE00318	KNIFE HOLDER MOWER 5MM	7
11	CZB00305	CAP COVER DISC OUTER DRUM MOWER	2
13	ART00398	MOWER DISC WITH OUTER DRUM FLAT	2
<i>(INCLUDES ITEMS 18 & 31) ALSO ORDER ITEM 10 FOR MACHINES PRIOR TO SERIAL No 1002500</i>			
14	ACH01619	MAIN SLIDE DISC MOWER W/SLOT	6
<i>FROM SERIAL No 1002500 (96 MM SLOT)</i>			
15	ACH01620	SLIDE UNDER G-BOX MOWER W/SLOT	1
<i>FROM SERIAL No 1002500 (96 MM SLOT)</i>			
16	CMT00522	CUTTERBAR HOUSING RHS 3M	1
17	CZE00294	SKID UNDER G-BOX DISC MOWER	1
18	CMH01692	PIN KNIFE HOLDER STUD SPLINED	14
<i>UP TO SERIAL No 1002499</i>			
18	KST00084	KIT SPLINE W/HOOK & SPRING PLATES	1
<i>UP TO SERIAL No 1002499 (CONV KIT TO SPLINED HOOK PINS) FOR REPLACEMENT PINS ORDER CMH02881</i>			
18	CMH01840	PIN KNIFE HOLDER HOOK W/SQ	14
<i>FROM SERIAL No 1002500</i>			
19	CMH01698	GEAR 20T WORK DISC MOWER BED	7
20	CMT00529	GEAR 38T IDLER W/BEARING SKF	1
<i>ASSEMBLY INCLUDES 38T IDLER GEAR CMH01699, RETAINING RING ITEM 25 & BEARING ITEM 27</i>			
21	CMH01693	GEAR 38T GBOX DRIVE MOWER BED	1
22	CMT00829	GEAR ASM 60T W/BEARING SKF	12
<i>ASSEMBLY INCLUDES 60T GEAR CMH01697, RETAINING RING ITEM 25 & BEARING ITEM 27</i>			
23	CMT00380	GEARBOX REAR MWR 2 SPD CONDR	1
24	CFA01085	PLUG OIL INLET HEX M22X1.5 MWR BED	1
25	CFA01109	RETAINING RING 6307N BEARING	13
26	CBR00383	BEARING 6307 2RS C3	14
27	CBR00335	BEARING 6307 2RS NR SNAP-RING	13
28	CFA01116	NUT LOCK-HALF M30X1.5 MWR 8.8 Z/P	7
29	CFA00123	NUT M10 NYLOC Z/P	14
30	CFA00124	NUT M12 NYLOC	35
31	CFA00439	NUT M12 FLANGED HEAD 10.9 Z/P	14
32	CFA00201	WASHER FLAT 10MM Z/P	14
33	CFA00185	WASHER SPRING 8MM Z/P	8
34	CFA00623	WASHER SPRING 12MM LIGHT Z/P	28
35	CFA00252	WASHER SKM16	8
36	CFA00514	CIRCLIP 35MM EXTERNAL	8

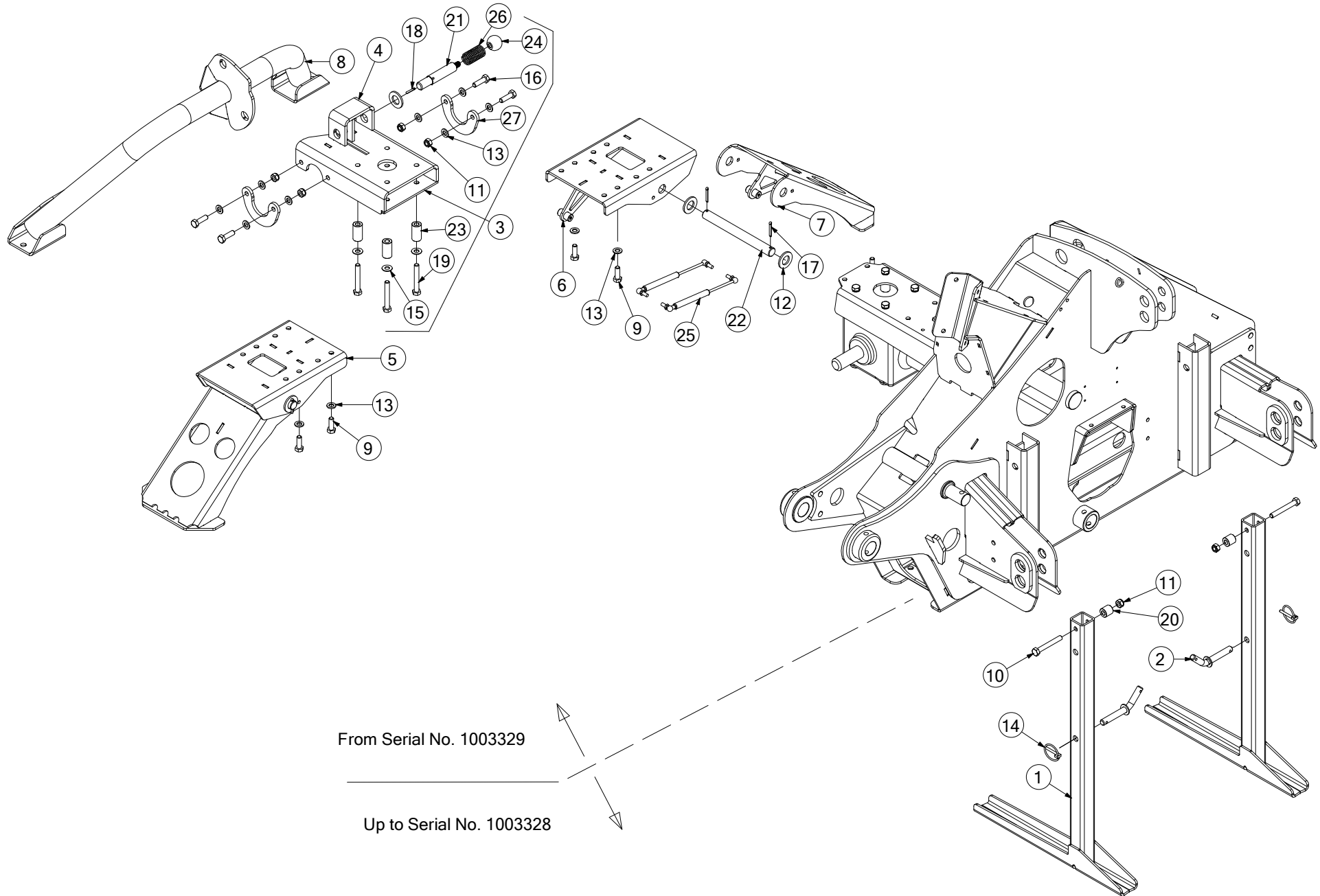
37	CFA00429	SCREW M8X20 BTN HEAD SOC HX Z/P	8
38	CFA01110	BOLT M16X40 ALLEN HD 10.9	13
39	CFA00017	SETSCREW M10X30 CUP SQ Z/P	12
<i>REPLACES SETSCREW M10X25 CUP SQ Z/P (CFA00442)</i>			
40	CFA00017	SETSCREW M10X30 CUP SQ Z/P	2
41	CFA00031	SETSCREW M12X25 ZP	28
42	CFA01115	BOLT M12X30 KNURLED 10.9 Z/P MOWER	35
43	CFA00229	SETSCREW M16X35 Z/P	8
44	CSE00855	SEAL O RING OS 40X2.5 MOWER	26
45	CSE00645	SEAL O RING OS 30X2.5 MOWER	13
46	CSE00638	SEAL O RING OS 90X4	7
47	CFA02340	LOCTITE SI 5926 40ML NON SETTING GASKET	1
<i>APPLY A CONTINUOUS BEAD OF SEALANT TO FLAT MACHINED SURFACE AROUND EACH BOLT HOLE & CENTRE BORE</i>			
48	CSE00637	OIL SEAL AO 40X72X7 MOWER BED	7
49	CFA00593	SETSCREW M8X30 CSK ALLEN Z/P	2
51	CFA01111	KEY B 10X8X22 MOWER BED	7
52	CFA01112	KEY B 10x8x30 MOWER BED	1
53	CFA01082	KEY B 10x8x16 MOWER BED	7
55	KKN00042	MOWER BLADE 50X109 RH 13 DEG	8
56	KKN00043	MOWER BLADE 50X109 LH 13 DEG	6
58	CTP00832	CUTTERBAR COUNTERKNIFE	7
<i>REPLACEMENT WELD-IN INSERT (REPLACES CTP00513)</i>			
60	CTP00562	SKID PAD FLAT	6
<i>FROM SERIAL No 1002500</i>			
61	CTP00563	SKID PAD FLAT UNDER G/BOX	1
<i>FROM SERIAL No 1002500</i>			
62	CTP00564	HIGH CUT SKID +25MM	6
<i>FROM SERIAL No 1002500</i>			
63	CTP00565	HIGH CUT SKID +25MM UNDER GBOX	1
<i>FROM SERIAL No 1002500</i>			
64	CTP00566	HIGH CUT SKID +50MM	6
<i>FROM SERIAL No 1002500 (95 MM TAB)</i>			
65	CTP00567	HIGH CUT SKID +50MM UNDER GBOX	1
<i>FROM SERIAL No 1002500 (95 MM TAB)</i>			
66	CFA00243	SETSCREW M10X20 BUTTON HEAD Z/P	2
68	CMT00786	MOWER BED 3M RH WITH GEARS&HUBS	1

Discharge unit RH (986)



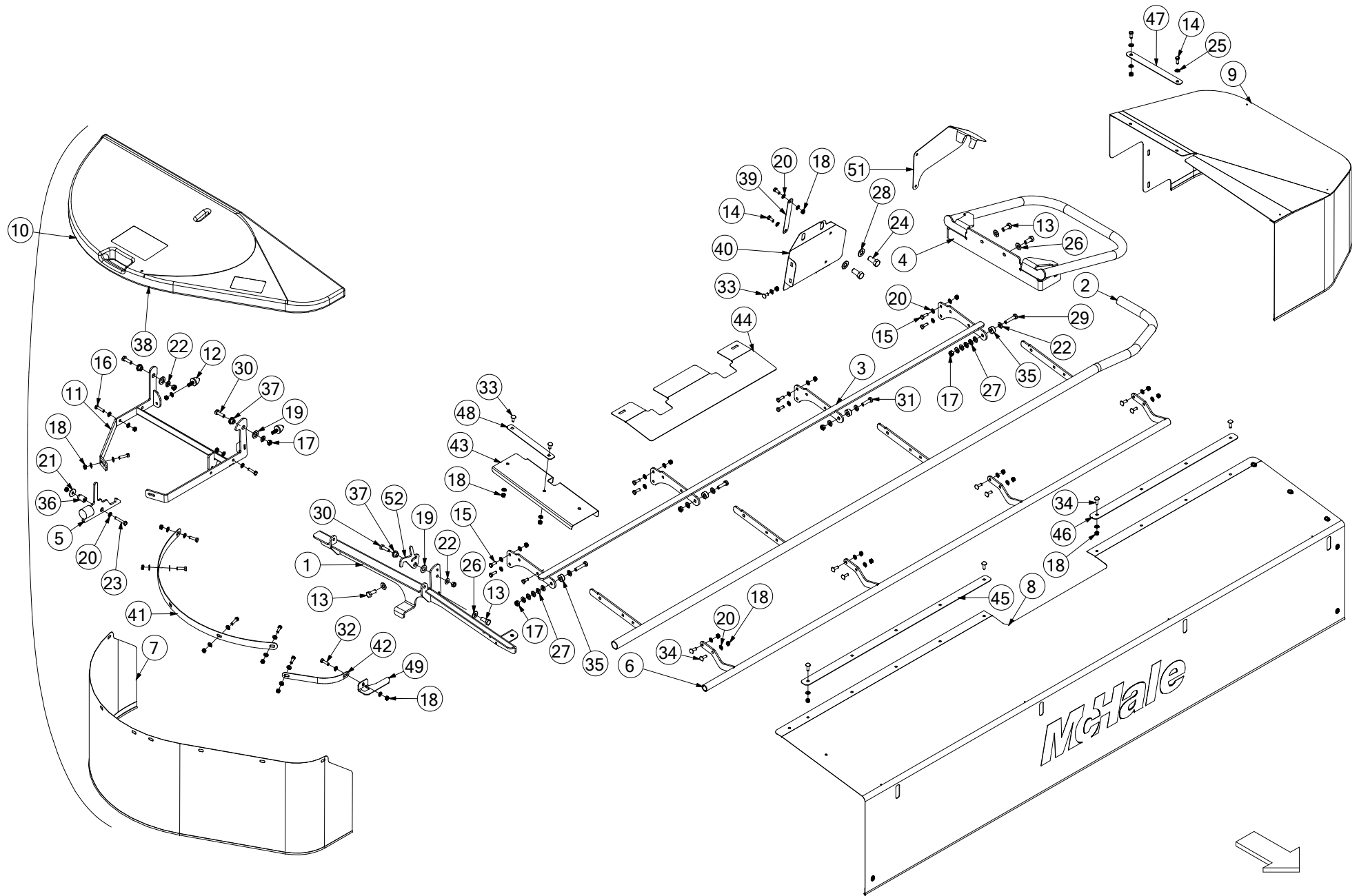
No.	Part No	Description	Qty
1	ACH01463	MOWER SIDE BOARD WELD RHS	1
2	ACH01464	MOWER SIDE BOARD WELD LHS	1
3	ACH02846	MOWER SWATH BOARD WELD LHS	1
4	ACH02847	MOWER SWATH BOARD WELD RHS	1
5	ACH02867	MOWER DISCHARGE PLATE RHS	1
<i>INCLUDES ITEMS 8, 14, 16, 20 & 31</i>			
6	ACH02881	DISCHARGE UNIT REAR MOWER WELD	1
7	AGD00041	REAR MOWER DISCHARGE CURTAIN ASSY	1
8	AMR00011	MOWER DISCHARGE PLATE 3M	1
8a	AGD00120	TURNBUTTON + FASTENERS & EYELET	3
9	CFA00024	SETSCREW M10X25 Z/P	10
10	CFA00025	SETSCREW M10X30	2
11	CFA00052	SETSCREW M8X20 Z/P	5
12	CFA00123	NUT M10 NYLOC	34
13	CFA00124	NUT M12 NYLOC	2
14	CFA00132	NUT M8 NYLOC Z/P	20
15	CFA00138	WASHER FLAT 12MM Z/P	2
16	CFA00147	WASHER FLAT 8MM Z/P	25
17	CFA00201	WASHER FLAT 10 MM Z/P	45
18	CFA00442	SETSCREW M10X25 CUP SQ	39
19	CFA00470	BOLT M12X180 Z/P	2
20	CFA00506	SETSCREW M8X20 CUPHEAD SQ ZP	15
21	CFA00664	BOLT M10X60 SOC CAP Z/P	2
22	CFA01056	WASHER 10MM DIN 9021 NYLON	12
23	CFA02312	M10 LIFTING EYE NUT DIN 582	18
24	CMH01680	BUSH 12X25X12	2
25	CZB02512	2MM L CROP FLOW DEFLECTION MOWER	2
26	CZC03919	3MM L MOWER CURTAIN STRIP	2
27	CZC03922	3MM L MOWER GUARD STRIP	1
28	CZC04878	3MM L SWATH BOARD EXTENSION LHS	1
29	CZC04883	3MM L SWATH BOARD EXTENSION RHS	1
30	CZC04884	3MM L CROP DEFLECTOR REAR MOWER	9
31	CZC05643	3MM MOWER DISCHARGE SIDE BRKT	2
32	CZF07188	6MM L PLATE MOWER DISCHARGE	1
33	CZF07189	6MM L PLATE MOWER DISCHARGE	1
34	CZF07229	6MM SUPPORT PLATE REAR MOWER	1
35	CZF07230	6MM SUPPORT PLATE REAR MOWER	1
36	CZC05225	3MM L LONG CROP DEFLECTOR REAR MOWER	3
38	CZC05606	3MM L CONDITIONER SCRAPER	1

Leg stands (1099)



No.	Part No	Description	Qty
1	ALA00719	MOWER PARKING STAND WELD ASSY	2
2	ALA00747	PIN ASSY MOWER STAND	2
3	ALA01056	R3100 VERTICAL STAND KIT	1
<i>KIT INCLUDES 3 COMPLETE ANGLED LEG STANDS & INCLINOMETER. EXCL VERTICAL STANDS ITEMS 1, 2, 10, 11, 14, & 2</i>			
4	ALA00965	REAR STAND BASE PLATE ASSY	1
5	ALA00973	FOLD UP STAND MOWER B9000	2
<i>INCLUDES ITEMS 6, 7, 12, 17, 22 & 25</i>			
6	ALA00974	FOLD UP STAND MOWER BASE WELD ASSY	2
7	ALA00975	FOLD UP STAND LEG SHORT WELD ASSY	2
8	ALA01003	STAND WELD ASSY R3100	1
9	CFA00033	SETSCREW M12X35 Z/P	8
10	CFA00034	BOLT M12X90 Z/P	2
11	CFA00124	NUT M12 NYLOC	6
12	CFA00135	WASHER FLAT 1" Z/P	5
13	CFA00138	WASHER FLAT 12MM Z/P	16
14	CFA00202	LINCH PIN 6MM	2
15	CFA00250	WASHER SKM12	4
16	CFA00297	BOLT M12X40 Z/P	4
17	CFA00475	SPLIT PIN 5X40 Z/P	4
18	CFA00555	ROLL PIN 5X40 Z/P	1
19	CFA02256	BOLT M12X85 Z/P	8
20	CMH00745	BUSH 12X25X25	2
21	CMH01874	PIN 25X150 STEPPED Z/P	1
22	CMH01937	PIN 25X250	2
23	CMH02785	BUSH 12X25X48	5
24	CPL00256	BALL KNOB TYPE C DIN 319 (RAKE)	1
25	CRA00781	GAS STRUT 245-80 500N	4
26	CSG00312	SPRING COMPRESSION (RAKE)	1
27	CZG02631	8MM STAND PART R3100	2

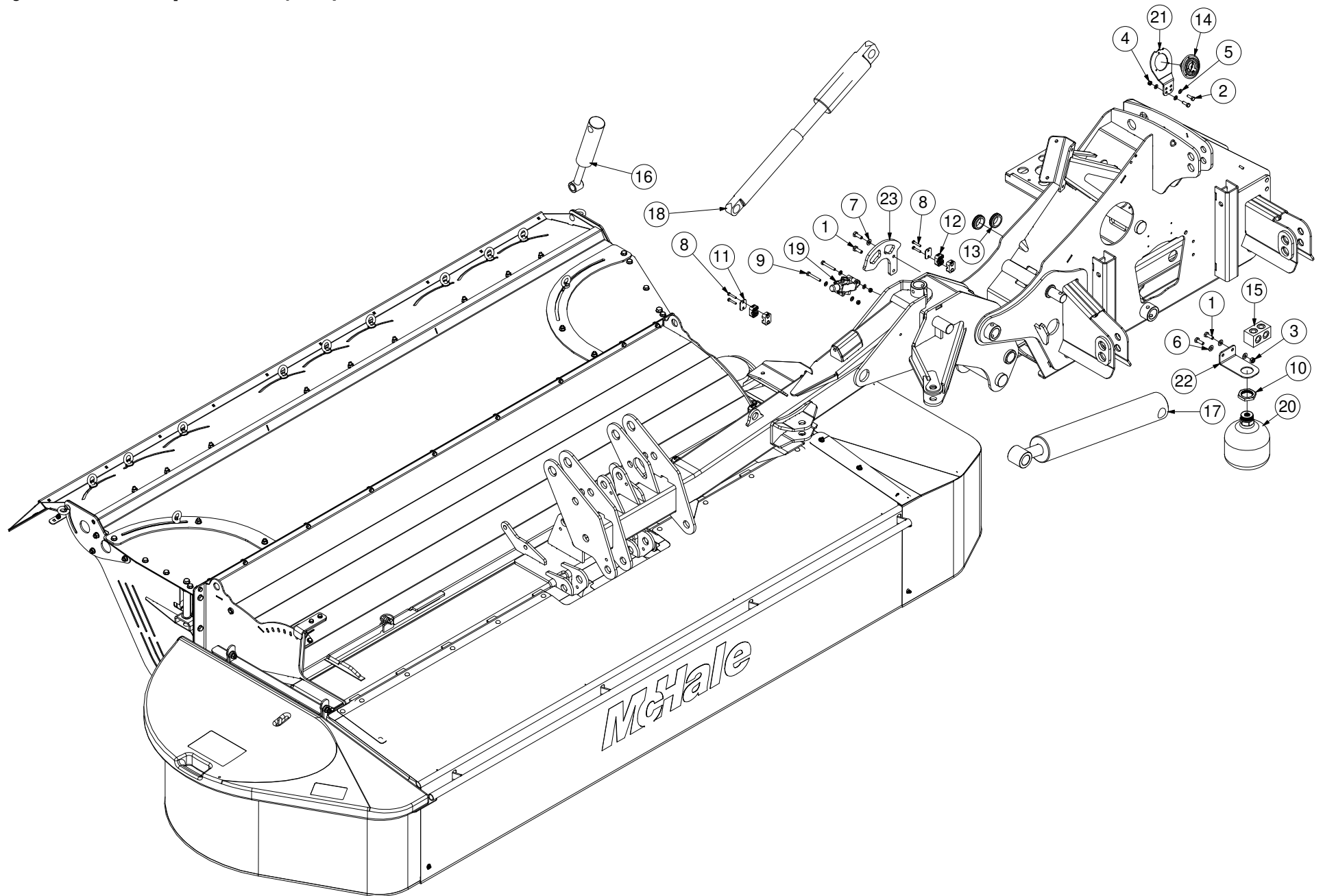
Panels RH (987)



No.	Part No	Description	Qty
1	AMR00007	GUARD MOUNT MOWER RHS <i>REPLACES ACH02884</i>	1
2	AGD00103	GUARD RAIL CURTAIN SUPPORT B9000 R <i>ALSO ORDER KIT KST00173 FOR MACHINES PRIOR TO SERIAL No 1003329</i>	1
3	AGD00015	MOWER GUARD	1
4	KST00173	R3100 INNER CURTAIN KIT <i>USED UP TO SERIAL No 1004039</i>	1
4	AGD00135	GUARD CURTAIN FRAME INNER RHS <i>USED FROM SERIAL No 1004040</i>	1
5	AGD00017	MOWER GUARD GRAVITY LATCH	1
6	AGD00018	MOWER FRONT HAND RAIL	1
7	AGD00035	FRONT MOWER RHS CURTAIN ASSY	1
7a	AGD00120	TURNBUTTON + FASTENERS & EYELET	1
8	AGD00037	CURTAIN FRONT R3100+B9000	1
8a	AGD00120	TURNBUTTON + FASTENERS & EYELET	1
9	KST00173	R3100 INNER CURTAIN KIT <i>USED UP TO SERIAL No 1003328</i>	1
9	AGD00105	CURTAIN RHS INNER B9000 <i>USED FROM SERIAL No 1003329</i>	1
9a	AGD00120	TURNBUTTON + FASTENERS & EYELET	1
10	AGD00059	REAR MOWER GUARD ASSY RHS <i>COMPLETE GUARD RH ASM INCLUDING FRAME, LATCH, CURTAIN & BUFFERS (BUT NOT HINGE BOLTS)</i>	1
11	AGD00118	MOWER GUARD FRAME RHS <i>REPLACES AGD00060</i>	1
12	CBE00028	BUFFER RUBBER 30X36 M8/27 57SH	2
13	CFA00032	SETSCREW M12X30 Z/P	5
14	CFA00052	SETSCREW M8X20 Z/P	6
15	CFA00102	SETSCREW M8X25 Z/P	8
16	CFA00107	SETSCREW M8X35 Z/P	6
17	CFA00123	NUT M10 NYLOC	7
18	CFA00132	NUT M8 NYLOC Z/P	48
19	CFA00140	WASHER FLAT 16MM Z/P	3
20	CFA00147	WASHER FLAT 8MM Z/P	68
21	CFA00149	WASHER MUDWING M8 31.75OD	1
22	CFA00201	WASHER FLAT 10 MM Z/P	9
23	CFA00210	SETSCREW M8X50 Z/P	1
24	CFA00229	SETSCREW M16X35 Z/P	2
25	CFA00249	WASHER SKM8	2
26	CFA00250	WASHER SKM12	5
27	CFA00251	WASHER SKM10	10
28	CFA00252	WASHER SKM16	2
29	CFA00310	BOLT M10X50 Z/P	2
30	CFA00311	SETSCREW M10X35 Z/P	3
31	CFA00312	SETSCREW M10X40 Z/P	2
32	CFA00491	SETSCREW M8X30 Z/P	5
33	CFA00506	SETSCREW M8X20 CUPHEAD SQ ZP	3
34	CFA00591	SETSCREW M8X25 CUPHEAD SQ ZP	18
35	CMH01329	BUSH 10X25X12	4
36	CMH02691	BUSH 20X15X50	1
37	CMH02724	BUSH 25X10.5X14 STEPPED	3

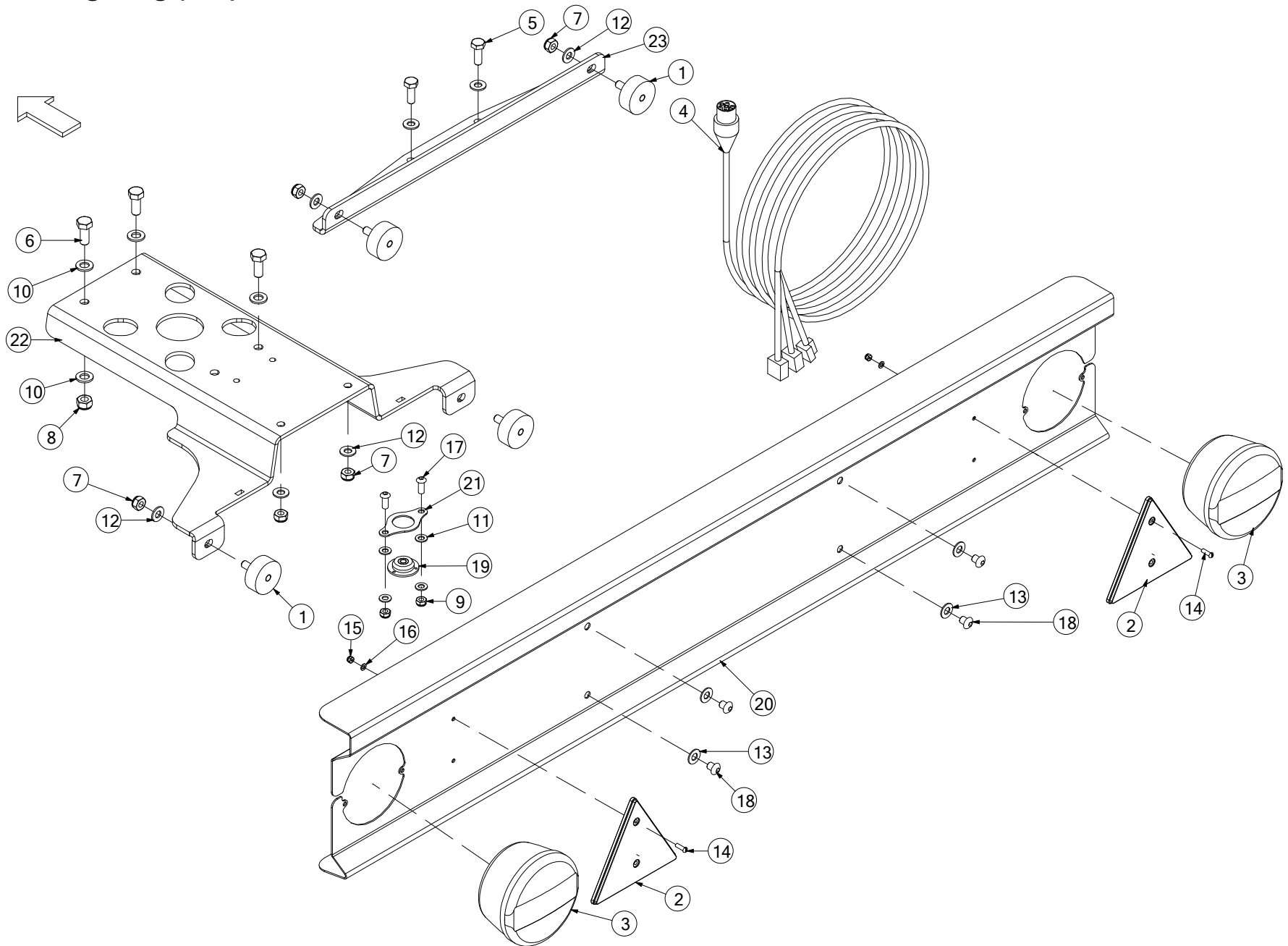
38	CPL00231	PLASTIC MOWER GUARD RHS	1
39	CZB02532	1.5MM L MOWER GUARD	1
40	CZB02533	1.5MM L MOWER GUARD <i>USED UP TO SERIAL No 1003043 (SHOWN)</i>	1
40	CZC05585	3MM MOWER GUARD BRKT <i>USED FROM SERIAL No 1003044 (NOT SHOWN)</i>	1
41	CZB02545	2MM L FRONT MOWER CURTAIN STRIP	1
42	CZB02547	2MM L FRONT MOWER CURTAIN STRIP 2 HOLE	1
43	CZB02548	1.5MM L MOWER GUARD	1
44	CZB02560	1.5MM MOWER GUARD	1
45	CZB02591	2MM L MOWER GUARD STRIP	1
46	CZB02592	2MM L MOWER GUARD STRIP	1
47	CZB02593	2MM L MOWER GUARD STRIP	1
48	CZB02594	2MM L MOWER GUARD STRIP	1
49	CZC05155	3MM CROP DEFLECTOR MOWER RHS	1
51	CZB04782	1.5MM L MOWER CURTAIN BRKT RHS <i>USED FROM SERIAL No 1003044 TO 1004039</i>	1
52	CZF08958	6MM L MOWER GRAVITY LATCH	1

Hydraulic components (988)

















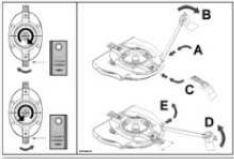


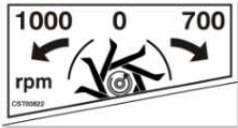

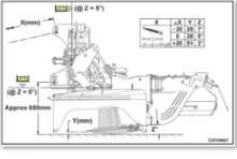


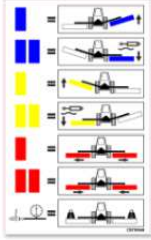
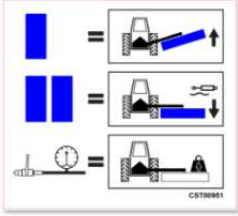
No.	Part No	Description	Qty
1	CFA00792	SETSCREW M10X30 BUTTON HEAD Z/P	4
2	CFA00102	SETSCREW M8X25 Z/P	2
3	CFA00123	NUT M10 NYLOC	2
4	CFA00132	NUT M8 NYLOC Z/P	4
5	CFA00147	WASHER FLAT 8MM Z/P	8
6	CFA00201	WASHER FLAT 10 MM Z/P	4
7	CFA00251	WASHER SKM10	2
8	CFA00253	SETSCREW M6X35 Z/P	8
9	CFA00340	BOLT M8X60 Z/P	2
10	CFA01074	NUT M45X1.5 2L ACCUMULATOR FIXING	1
11	CFA01093	COVER PLATE STANDARD SERIES SIZE 2	4
12	CFA01094	HOSE CLAMP BODY 13.5MM	8
13	CFA02342	GROMMET 44.3X38.1X6.4	2
14	CHY00133	GAUGE PRESSURE 63DIA FLANGE	1
15	CMH01717	ACCUMULATOR BLOCK REAR MOWER	1
16	CRA00801	RAM MOWER SUSPENSION HD	1
<i>REPLACES CRA00769</i>			
16a	CVA00465	FLOATING RESTRICTOR 0.7MM	1
16b	CHY00937	WASHER DOWTY M18	1
16c	CHY01055	ADAPTOR M18MX1/4M	1
17	CRA00834	LIFT RAM R3100 CUSHIONED	1
<i>REPLACES CRA00817 & CRA00772</i>			
18	CRA00775	RAM SIDE MOUNT MOWER FLOTATION	1
18a	CSE00847	SEAL KIT 60MM SUSPENSION RAM	1
<i>SEAL KIT FOR CRA00775 RAM</i>			
19	CVA00431	VALVE DIVERTER NO 2WAY CAM	1
19a	REP00078	REPAIR KIT ROLLER FOR CVA00431	1
<i>REPAIR KIT INCLUDES ROLLER, PIN & SPLIT PIN FOR VALVE CVA00431 PLUS REPLACEMENT CAM PLATE (ITEM 23)</i>			
19b	REP00077	R3100 CUTTER UNIT FLOW CTL KIT	1
<i>CONTROLS DESCENT FROM HEADLAND POSITION BACK TO CUTTING ON MOWERS PRIOR TO SERIAL No 1002375</i>			
20	CVA00670	ACCUMULATOR 2 L 100 BAR	1
21	CZD02945	4MM PRESSURE CLOCK MOUNTING	1
22	CZD02946	4MM ACCUMULATOR BRACKET MOWER	1
23	CZH05237	10MM CAM PLATE MOWER VALVE	1
<i>UP TO SERIAL No 1003328</i>			
23	CZH05945	10MM CAM PLATE MOWER VALVE	1
<i>FROM SERIAL No 1003329</i>			

Electrical lighting (989)



No.	Part No	Description	Qty
0	ALA00925	REAR LIGHT BRACKET MOUNT ASSY <i>COMPLETE ASSEMBLY (EXCLUDES ITEMS 5, 9, 11, 17, 19 & 21)</i>	1
1	CBE00361	RUBBER MOUNT 50X20 M10 M/F	4
2	CEL00077	REFLECTOR REAR TRIANGULAR RED	2
3	CEL01501	TAIL LIGHT CIRCULAR LED, 2M	2
4	CEL01502	REAR MOWER LIGHTING LOOM, 3M	1
4a	CEL01505	LIGHT LOOM ADAPTER (USA) <i>SAE J560 ADAPTER REQUIRED FOR NORTH AMERICAN MARKETS ONLY</i>	1
5	CFA00025	SETSCREW M10X30	2
6	CFA00032	SETSCREW M12X30 Z/P	4
7	CFA00123	NUT M10 NYLOC	6
8	CFA00124	NUT M12 NYLOC	4
9	CFA00132	NUT M8 NYLOC Z/P	2
10	CFA00138	WASHER FLAT 12MM Z/P	8
11	CFA00147	WASHER FLAT 8MM Z/P	4
12	CFA00201	WASHER FLAT 10 MM Z/P	8
13	CFA00251	WASHER SKM10	4
14	CFA00288	SETSCREW M5X16 PAN HEAD Z/P	4
15	CFA00321	NUT M5 NYLOC	4
16	CFA00337	WASHER FLAT 5MM Z/P	4
17	CFA00429	SETSCREW M8X20 BUTTON HEAD Z/P	2
18	CFA01140	SETSCREW M10X12 BUTTON HEAD Z/P	4
19	CTP00599	CIRCULAR LEVEL DIA 43MM <i>MOWER LEVELLING DEVICE</i>	1
20	CZB00386	2MM L LIGHT BRACKET R3100 / B9000 <i>(REPLACES LIGHT BRACKET CZC02613)</i>	1
21	CZB00403	2MM INCLINOMETER BRACKET MOWER	1
22	CZF08376	6MM LIGHT BRACKET PART <i>(REPLACES LH & RH TUBULAR BRACKETS ALA00778 & ALA00779)</i>	1
23	CZF08377	6MM LIGHT BRACKET PART	1

Decals 1 (1201)

<p>1</p>  <p>Decal_CST00014.jpg</p>	<p>2</p>  <p>Decal_CST00017.JPG</p>	<p>3</p>  <p>Decal_CST00019.jpg</p>	<p>4</p>  <p>Decal_CST00032.png</p>	<p>5</p>  <p>Decal_CST00060.png</p>	<p>6</p>  <p>Decal_CST00108.jpg</p>
<p>7</p>  <p>Decal_CST00110.jpg</p>	<p>8</p>  <p>Decal_CST00111.jpg</p>	<p>9</p>  <p>Decal_CST00113.jpg</p>	<p>10</p>  <p>Decal_CST00120.jpg</p>	<p>11</p>  <p>Decal_CST00143.jpg</p>	<p>12</p>  <p>Decal_CST00814.png</p>
<p>13</p>  <p>Decal_CST00816.png</p>	<p>14</p>  <p>Decal_CST00817.png</p>	<p>15</p>  <p>Decal_CST00819.png</p>	<p>16</p>  <p>Decal_CST00820.png</p>	<p>17</p>  <p>Decal_CST00821.png</p>	<p>18</p>  <p>Decal_CST00822.png</p>
<p>19</p>  <p>Decal_CST00826.png</p>	<p>20</p>  <p>Decal_CST00827.png</p>	<p>21</p>  <p>Decal_CST00871.png</p>	<p>22</p>  <p>Decal_CST00901.png</p>	<p>23</p>  <p>Decal_CST00949.png</p>	<p>24</p>  <p>Decal_CST00951.png</p>

No.	Part No	Description	Qty
1	CST00014	DECAL WARNING! ROTATING ELEMENT	1
2	CST00017	DECAL ROTATING ELEMENTS 214	2
3	CST00019	DECAL CRUSHED HAND MCH-005	2
4	CST00032	DECAL LIFTING HOOK	3
5	CST00060	DECAL GREASE GUN MCH 004	15
6	CST00108	DECAL ROTATING PCK-UP REEL 246	2
7	CST00110	DECAL READ MANUAL (HORIZONTAL)	1
8	CST00111	DECAL HYD WARNING (HORIZONTAL)	1
9	CST00113	DECAL REMOVE KEY (HORIZONTAL)	1
10	CST00120	DECAL CRUSHED HAND (ABOVE)	2
11	CST00143	DECAL MAN WRAPPED IN SHAFT 220	2
12	CST00814	DECAL 1000 PTO RPM/210 BAR HYD	1
13	CST00816	DECAL WARNING ROTOR HAND & FOOT	2
14	CST00817	DECAL TRIPLE WARNING GUARD STOP +50M ZONE	3
15	CST00819	DECAL MOWER BLADE REPLACEMENT	1
16	CST00820	DECAL RH MOWER CONDITIONER ADJ	1
17	CST00821	DECAL RH CONDITIONER SPEED 700-1000	1
18	CST00822	DECAL LH CONDITIONER SPEED 700-1000	1
	<i>USED ON B9 MODELS ONLY</i>		
19	CST00826	DECAL LH MOWER CONDITIONER ADJ	1
	<i>USED ON B9 MODELS ONLY</i>		
20	CST00827	DECAL REAR MOWER SET-UP & HEIGHT ADJ	1
21	CST00871	DECAL MOWER HYD SUSPENSION 120X70MM	1
22	CST00901	DECAL TIE DOWN	4
23	CST00949	DECAL BUTTERFLY HYD INFO	1
	<i>USED ON B9 MODELS ONLY</i>		
24	CST00951	DECAL REAR MOWER HYD	1
	<i>USED ON R3100 MODELS ONLY</i>		

Decals 2 (1202)

McHale

CST00835

PRO GLIDE

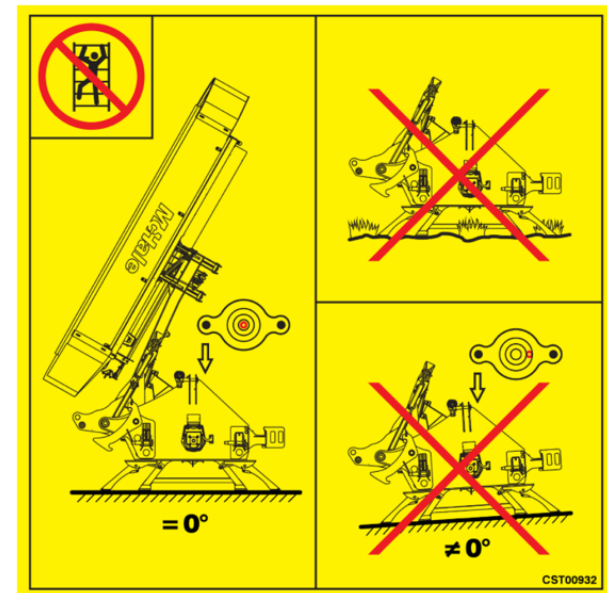
CST00836

R3100

CST00839

McHale

CST00905



CST00932

No.	Part No	Description	Qty
1	CST00835	MCHALE LOGO SILVER 260X58MM HIGH	1
2	CST00836	PRO GLIDE LOGO SILVER RECTANGLE 765X97MM	1
3	CST00839	R3100 LOGO SILVER 430X65MM HIGH	1
4	CST00905	DECAL 'MCHALE' 90 X 400	1
5	CST00932	DECAL R3100 VERTICAL STORAGE	1