

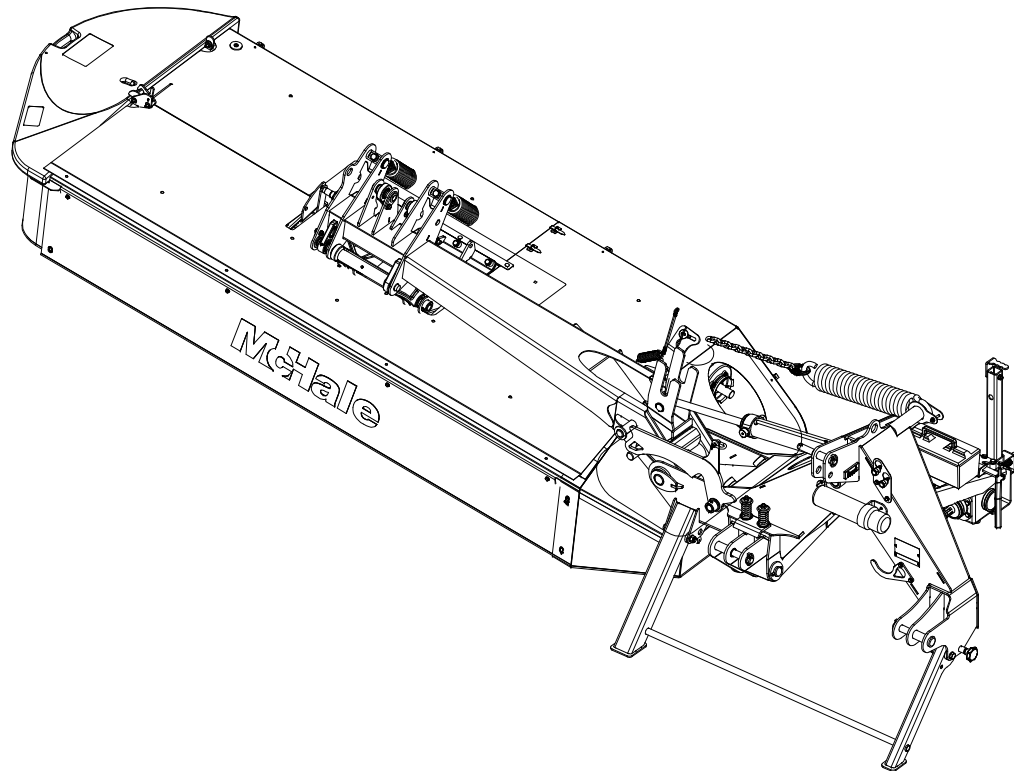
McHale PRO GLIDE



QUALITY

I.S. EN ISO 9001:2015

NSAI Certified



PRO GLIDE R310 Spare Parts Book

McHale,
Ballinrobe,
Co. Mayo, Ireland.

Tel: +353 94 9520300
Fax: +353 94 9520356
Email: sales@mchale.net
Website: www.mchale.net

This page is intentionally left blank

Introduction

The **McHale PRO GLIDE R310** which you have purchased has been developed through years of constant research and development. Given proper care and attention the **PRO GLIDE R310** will give years of reliable and dependable performance. However it is important that the operators manual is read and fully understood to achieve this, **before** the machine is operated. As part of this philosophy it is vital to use only **genuine McHale** replacement parts, as these are manufactured to the same high standard as the original machine. These may be obtained through your **McHale** dealer.

If any part of this manual is not fully understood, please contact your **McHale** dealer who will be able to answer any questions or queries that you might have. It is important to quote the machine serial number when requiring spare parts or technical assistance. Space is provided below to record the machine details:

Serial number:	
Year of manufacture:	
Date of delivery:	

If you require further copies of this spare parts manual please
quote part number CLT04406

Note: Parts described as left and right are done so according to the direction that the machine normally travels in.

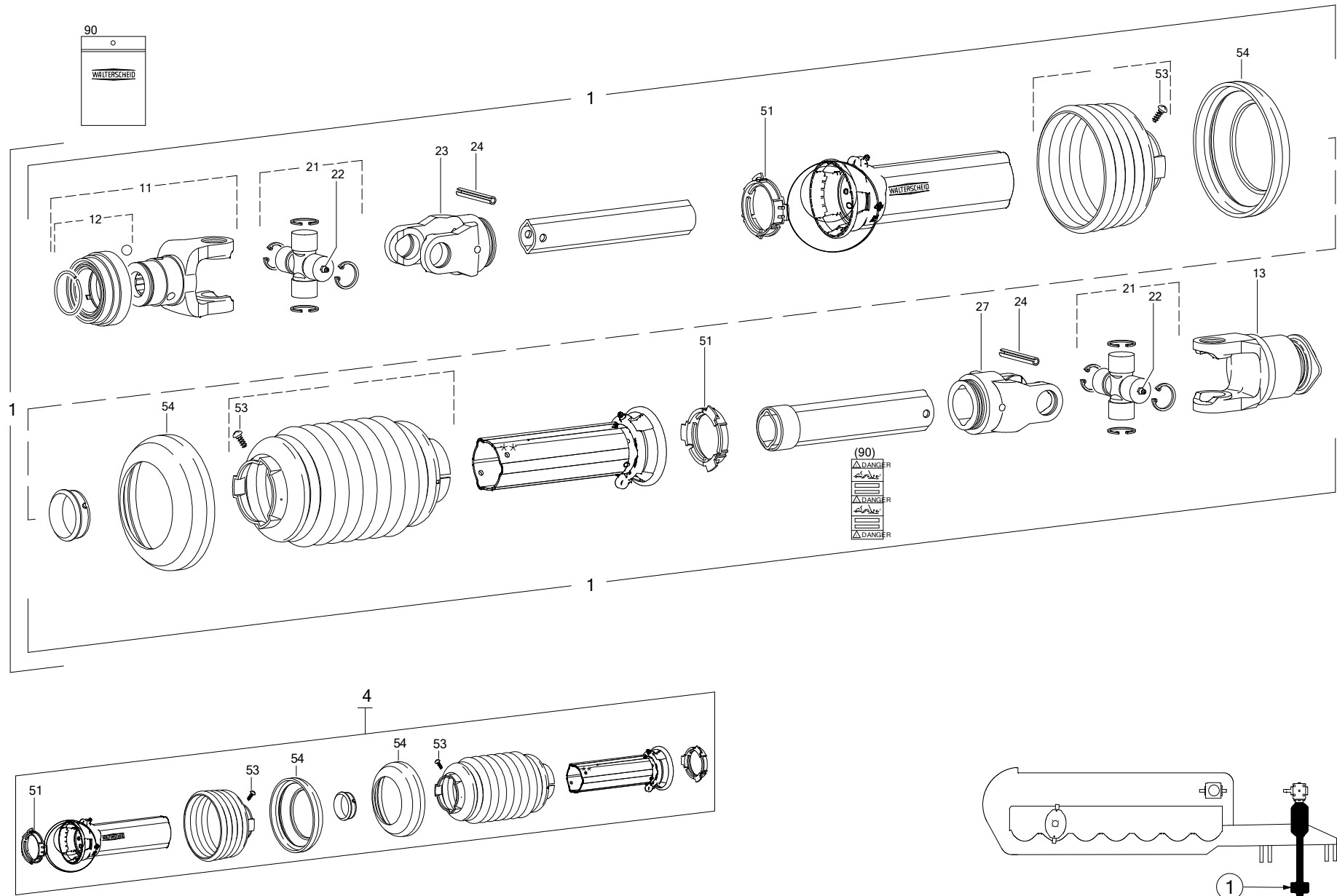
Note: Due to a policy of continuous product development and improvement *McHale Engineering* reserve the right to alter machine specifications without prior notice.

Contents

Section	Page	Document	Section	Page	Document
PRO GLIDE R310					
PTO Shaft Primary (1207)	6	SPD01207			
PTO Shaft Secondary (1208)	8	SPD01208			
Gearbox Primary (1221)	10	SPD01221			
Gearbox Secondary (1224)	12	SPD01224			
Headstock Front (1209)	14	SPD01209			
Headstock Rear (1223)	16	SPD01223			
Arm Main Pivot (1211)	18	SPD01211			
Arm Bed Linkage (1225)	20	SPD01225			
Bed Linkage & Frame (1267)	22	SPD01267			
Stand (1210)	24	SPD01210			
Curtains (1264)	26	SPD01264			
Guard Rails (1265)	28	SPD01265			
Guard RH & LH (1266)	30	SPD01266			
Cutter Bar RH (1263)	32	SPD01263			
Hydraulic Schematic (1253)	34	SPD01253			
Hydraulic Components (1254)	36	SPD01254			
Swath Guide [Option] (1270)	38	SPD01270			
Light Assembly [Option] (1273)	40	SPD01273			
Accessories (1239)	42	SPD01239			
Decals (1256)	44	SPD01256			

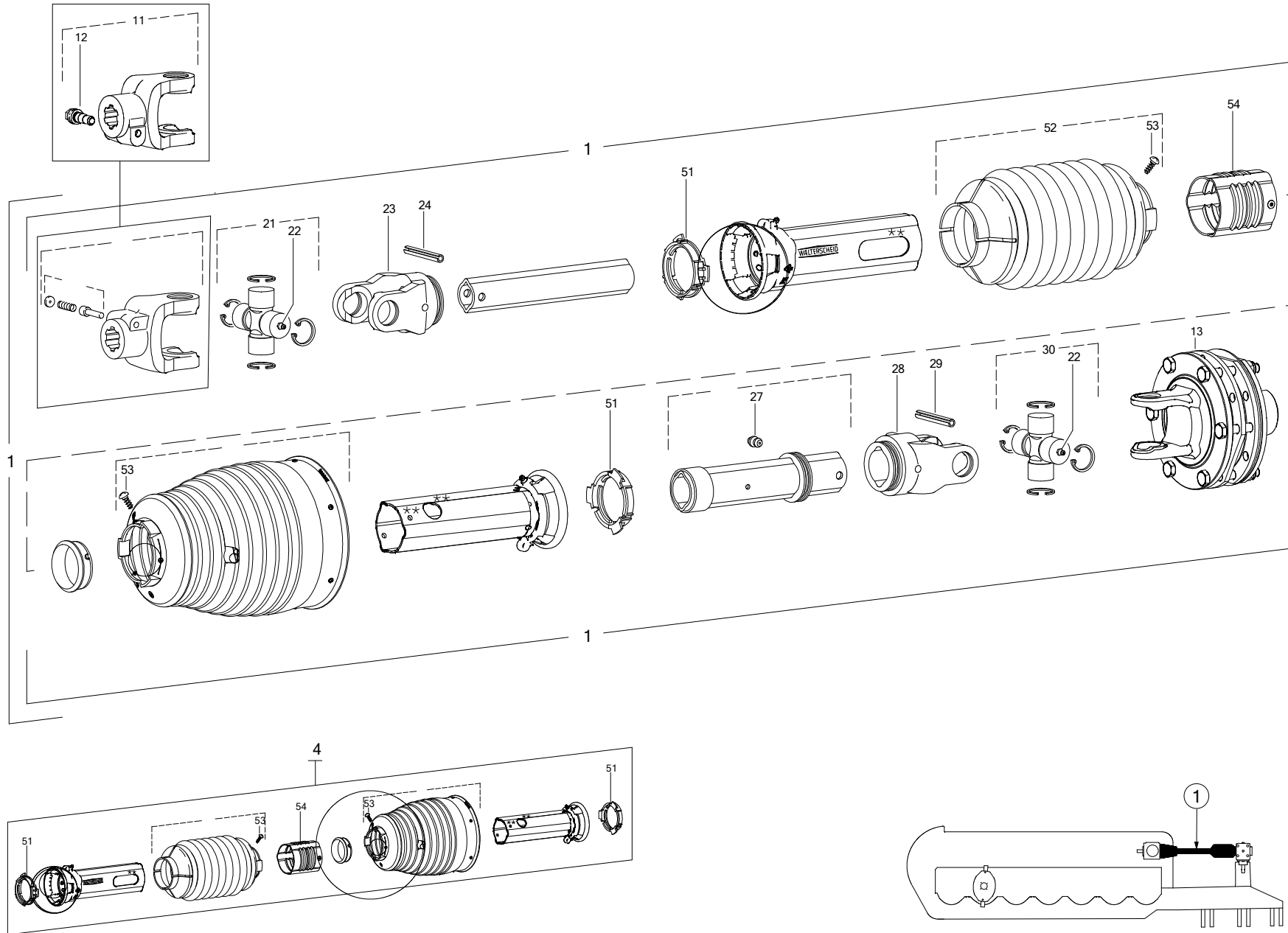
This page is intentionally left blank

PTO Shaft Primary (1207)



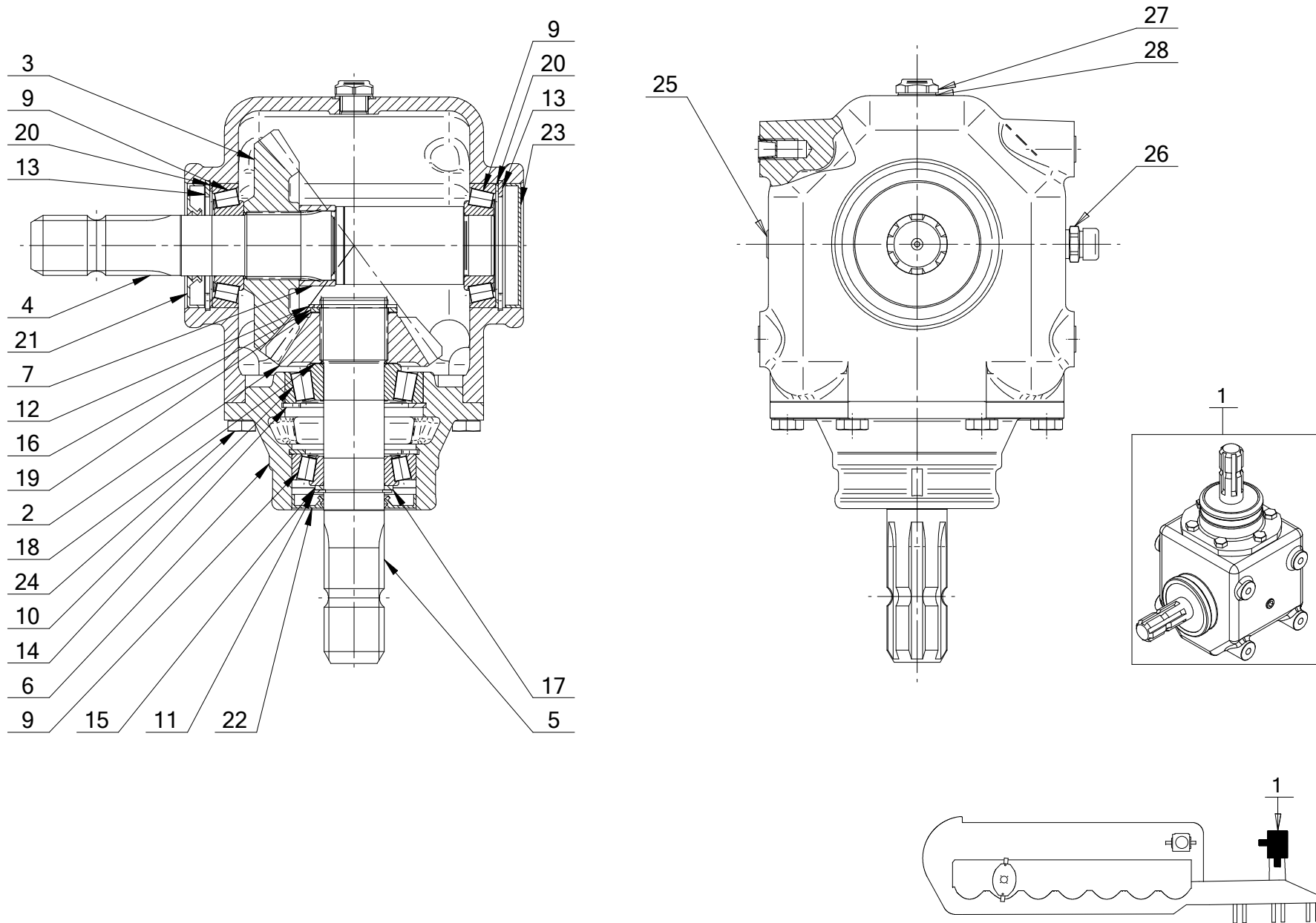
No.	Part No	Description	Qty
1	CMT00527	PTO SHAFT R PLAIN MOWER MAIN	1
4	CMT00762	GUARD COMP. PRIMARY WH2400 ST25	1
11	CMT00435	YOKE QD COMP 2400 6 SPLINE 1 3/8	1
11	CMT00504	YOKE QD COMP 2400 21 SPLINE 1 3/8	1
11	CMT00685	YOKE QD COMP 2400 20 SPLINE 1 3/4	1
12	CMT00436	LOCK COMPLETE LONG QS TYPE C P400 PTO SHAFT	1
13	CMT00763	CLUTCH F5/1R 2400 1 3/8 6 SPLINE	1
21	CMT00438	UNIVERSAL JOINT P400 PTO SHAFT	2
22	CFA00097	GREASE NIPPLE PTO SHAFT	2
23	CMT00271	YOKE INNER TRACTOR	1
24	CFA00629	ROLL PIN 10X80 PTO SHAFT	2
27	CMT00090	INNER YOKE LARGE PROFILE TUBE	1
51	CMT00095	BEARING RING SMALL FUSION PTO	2
53	CFA00630	SCREW M4X10 FUSION PTO	2
54	CMT00096	REINFORCEMENT COLLAR FUSION	2
90	CLT00082	DECAL WARNING PTO SHAFT	1

PTO Shaft Secondary (1208)



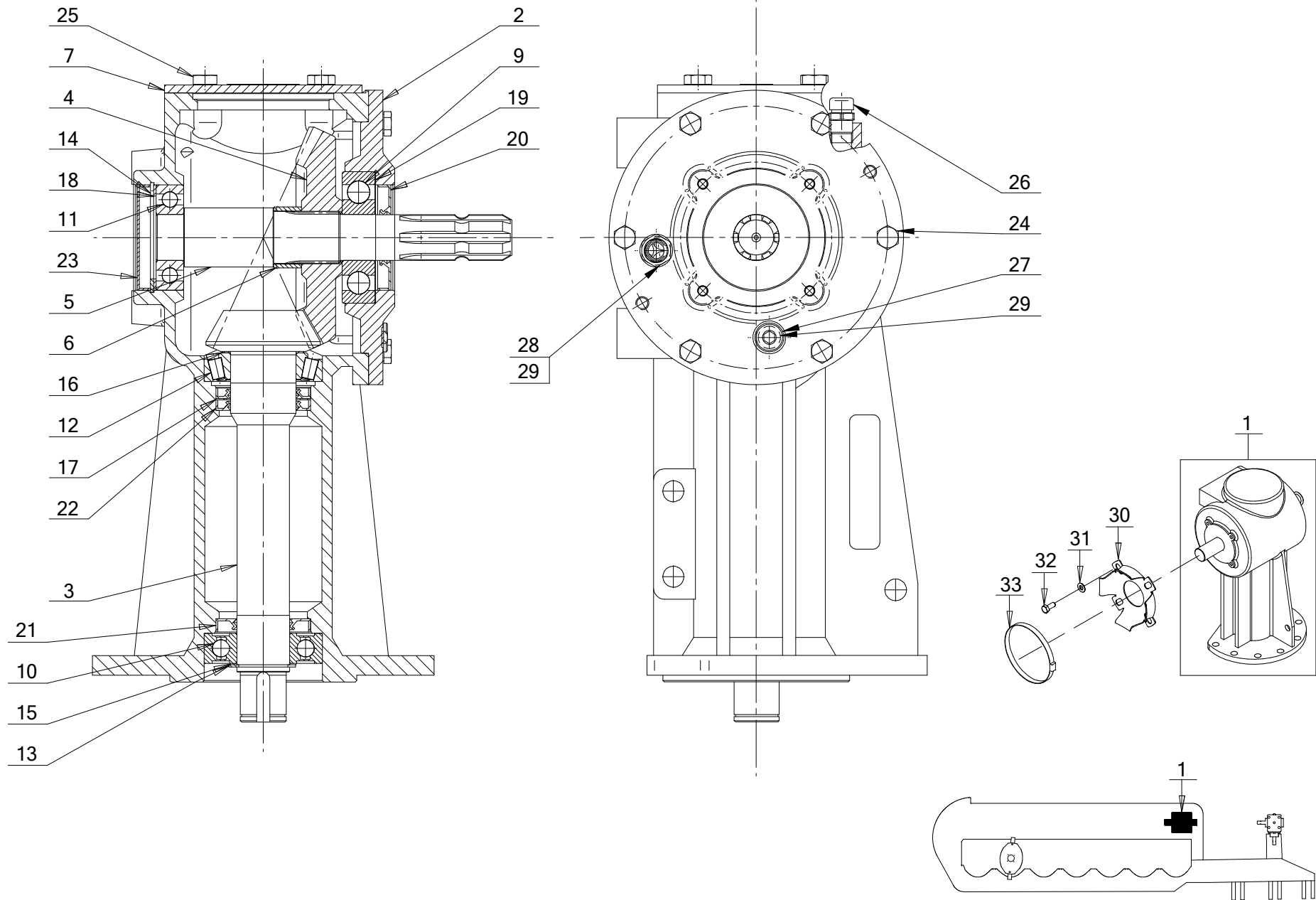
No.	Part No	Description	Qty
1	CMT00528	PTO SHAFT R PLAIN MWR SECONDARY	1
4	CMT00765	GUARD COMP. SECONDARY 2500/2400 760	1
11	CMT00448	YOKE WITH CC LOCK AGCC2500 PTO SHAFT	1
12	CMT00158	CLAMP PIN BALER PTO SHAFT 7540	1
13	CMT00764	CLUTCH K90/4TF 2400 1 3/8 6 SPLINE ZV 1500NM	1
21	CMT00240	UNIVERSAL JOINT PTO 2500 P	1
22	CFA00097	GREASE NIPPLE PTO SHAFT	2
23	CMT00766	YOKE INBOARD RG2500 1B	1
24	CFA00871	ROLL PIN 10X90	1
27	CMT00453	FITTING GREASE DRIVE-IN TYPE 4-6 PTO	1
28	CMT00090	INNER YOKE LARGE PROFILE TUBE	1
29	CFA00629	ROLL PIN 10X80 PTO SHAFT	1
30	CMT00438	UNIVERSAL JOINT P400 PTO SHAFT	1
51	CMT00095	BEARING RING SMALL FUSION PTO	2
52	CMT00454	GUARD CONE RIBBED PK500-400 PTO SHAFT	1
53	CFA00630	SCREW M4X10 FUSION PTO	2

Gearbox Primary (1221)



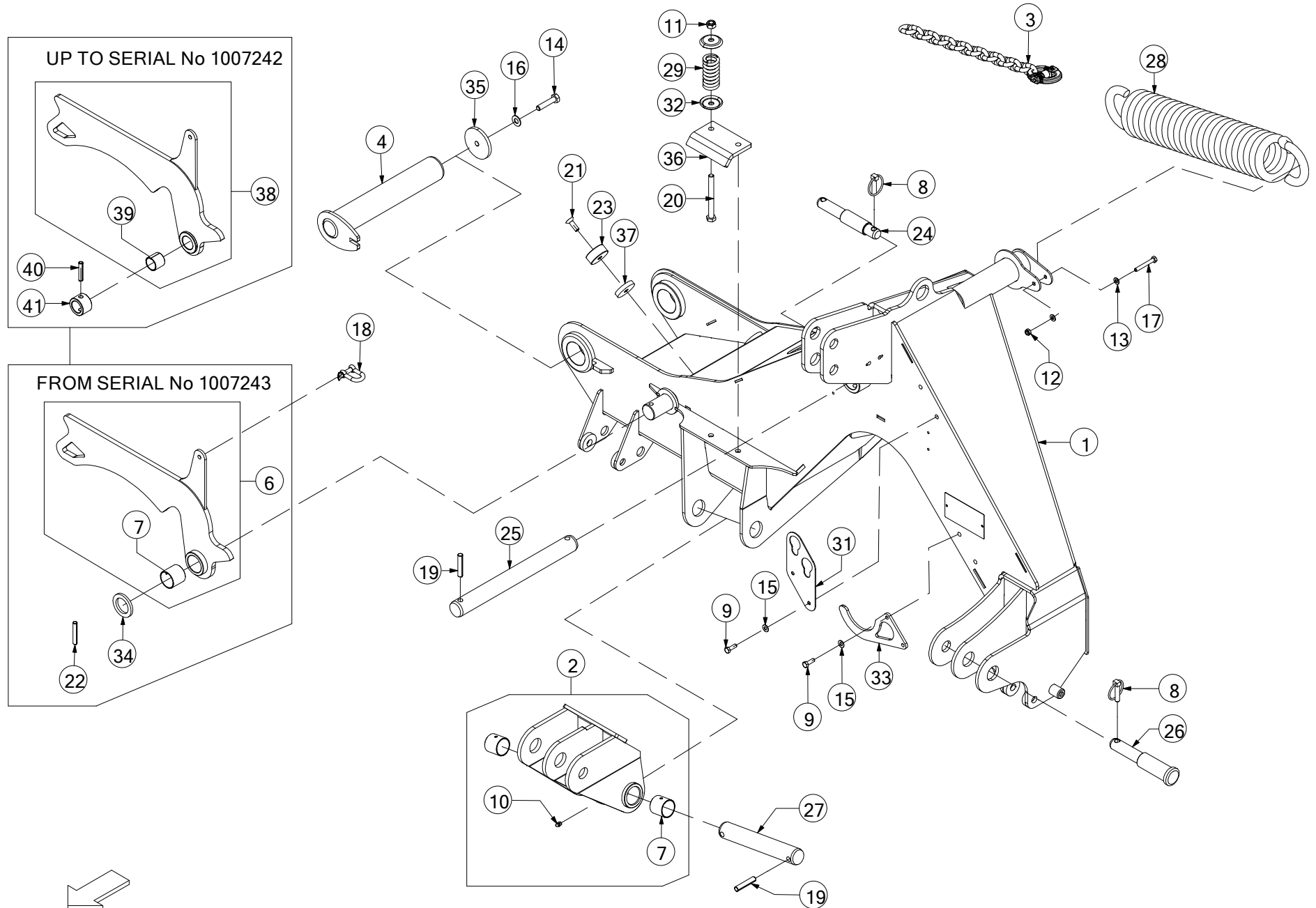
No.	Part No	Description	Qty
1	CMT00470	GEARBOX MOWER INPUT 540/1000	1
2	CMH03313	GEAR BEVEL Z17	1
3	CMH03314	GEAR BEVEL Z23	1
4	CMT00760	SHAFT STEPPED 6 SPLINE GEARBOX	1
5	CMT00414	SHAFT INPUT GEARBOX CMT00358	1
6	CMT00761	HOUSING SHAFT GEARBOX CMT00470	1
7	CMT00539	SPACER SLEEVE	1
9	CBR00375	BEARING TAPER 30207 (35X72X18.25)	3
10	CBR00374	BEARING TAPER 30307 (35X80X22.75)	1
11	CFA00514	CIRCLIP 35MM EXTERNAL DIN 471	1
12	CFA00551	CIRCLIP 40MM EXTERNAL DIN 471	3
13	CFA00873	CIRCLIP 72MM INTERNAL DIN 472	1
14	CFA00882	CIRCLIP 80MM INTERNAL DIN 472	1
15	CFA02464	WASHER 35X45X2.5 DIN 988	2
16	CFA02465	WASHER 40X50X2.5 DIN 988	3
17	CFA02460	SHIM 35X45X0.1 DIN988	1
18	CFA02259	SHIM 35X45X.5 DIN988	1
19	CFA01230	SHIM 40X50X0.5 MM	1
20	CFA02461	SHIM 63X72X0.5	2
21	CSE00841	SEAL OIL AS 35X72X10 DIN 3760	1
22	CSE00795	SEAL RADIAL SHAFT 35X72X8	1
23	CSE00853	SEAL CAP CORE PLUG 72X9	1
24	CFA00024	SETSCREW M10X25 Z/P	6
25	CFA01222	PLUG 3/8 TAPER DIN 906	1
26	CMT00478	PLUG 3/8" BREATHER MODEL 33A	1
27	CFA01225	SIGHT GLASS G 3/8 W/WASHER	1
28	CFA01217	WASHER ALUMINIUM 1.5X17X22	1

Gearbox Secondary (1224)



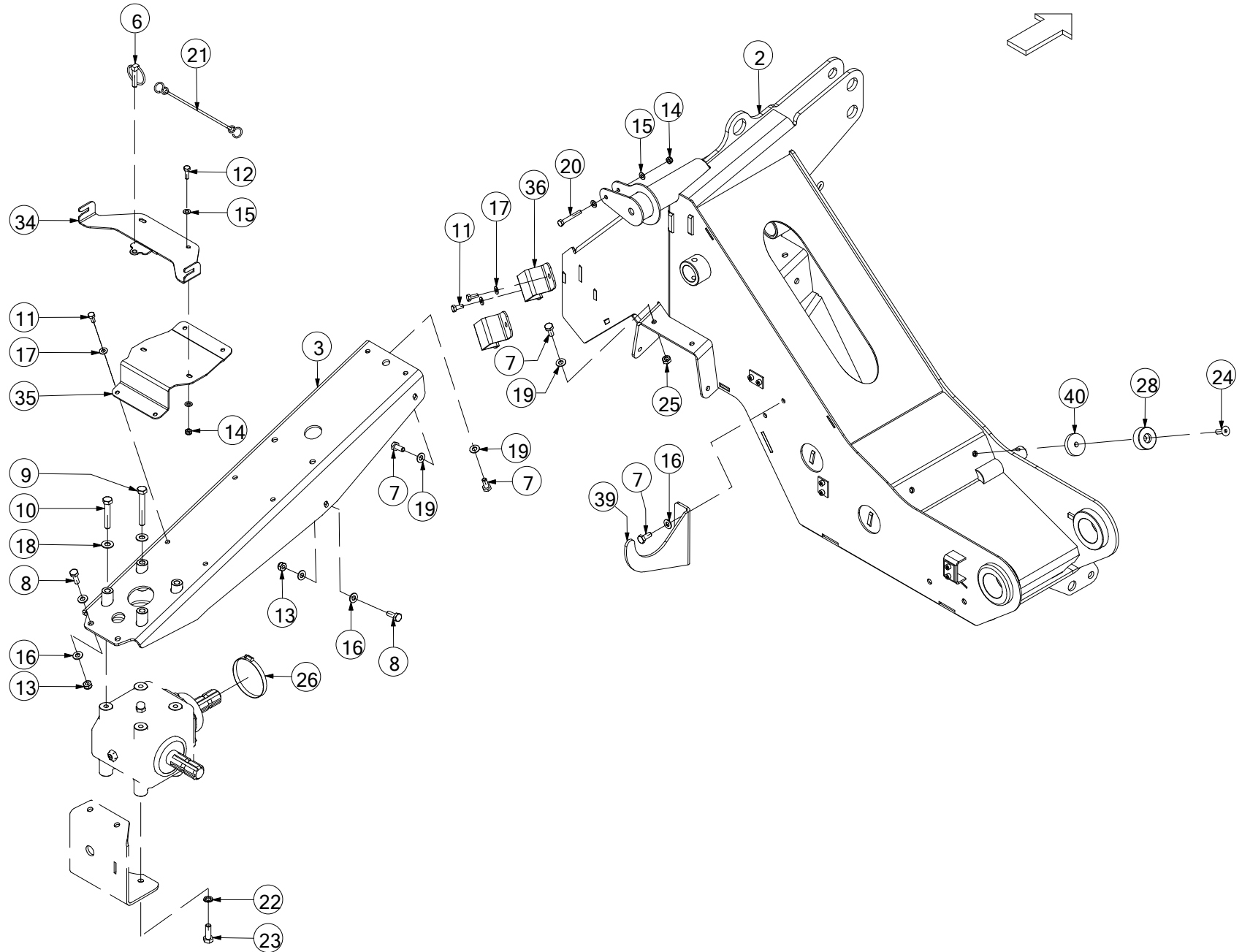
No.	Part No	Description	Qty
1	CMT00465	GEARBOX REAR MOWER	1
2	CMT00767	COVER GEARBOX 310 MOWER	1
3	CMT00768	SHAFT PINION Z15 310 MOWER GEARBOX	1
4	CMT00769	GEAR BEVEL Z33 310 MOWER GEARBOX	1
5	CMT00770	SHAFT 310 MOWER GEARBOX	1
6	CMT00539	SPACER SLEEVE	1
7	CMT00771	COVER PLATE REAR 310 MOWER	1
9	CBR00386	BEARING 6407	1
10	CBR00286	BEARING 6308 2RS	1
11	CBR00294	BEARING 6307 2RS SKF	1
12	CBR00028	BEARING WHEEL 30210 6STUD	1
13	CFA00113	CIRCLIP 40MM EXTERNAL DIN 471	1
14	CFA00882	CIRCLIP 80MM INTERNAL DIN 472	1
15	CFA01230	SHIM 40X50X0.5 MM	1
15	CFA00265	SHIM 40X50X1.0 DIN 988	1
16	CFA00214	SHIM 50X62X0.1	1
16	CFA00213	SHIM 50X62X0.3	1
16	CFA00215	SHIM 50X62X0.5	1
17	CFA02449	SHIM 56X72X0.1 DIN 988	1
17	CFA02450	SHIM 56X72X0.3 DIN 988	1
17	CFA02447	SHIM 56X72X0.5 DIN 988	1
18	CFA02448	SHIM 63X80X0.2 DIN 988	1
18	CFA01226	SHIM 63X80X0.5 DIN 988	1
18	CFA01214	SHIM 63X80X1.0 DIN 988	1
19	CFA02462	SHIM 80X100X0.5 DIN 988	1
20	CSE00132	SEAL RADIAL 35X80X10 DIN 3760	1
21	CSE00839	SEAL OIL AS 40X72X10 DIN 3760	1
22	CSE00854	SEAL O RING AS 50/72/8	2
23	CSE00629	SEAL CAP CORE PLUG 80X10	1
24	CFA00025	SETSCREW M10X30 Z/P	6
25	CFA00031	SETSCREW M12X25 Z/P	4
26	CMT00478	PLUG 3/8" BREATHER MODEL 33A	1
27	CFA01222	PLUG 3/8 TAPER DIN 906	1
28	CFA01225	SIGHT GLASS G 3/8 W/WASHER	1
29	CFA01217	WASHER ALUMINIUM 1.5X17X22	2
30	CTP00585	PTO GUARD 115MM DIA	1
31	CFA00249	WASHER SKM8	4
32	CFA00052	SETSCREW M8X20 Z/P	4
33	CFA01086	JUBLIEE CLIP 110MM-130MM	1

Headstock Front (1209)



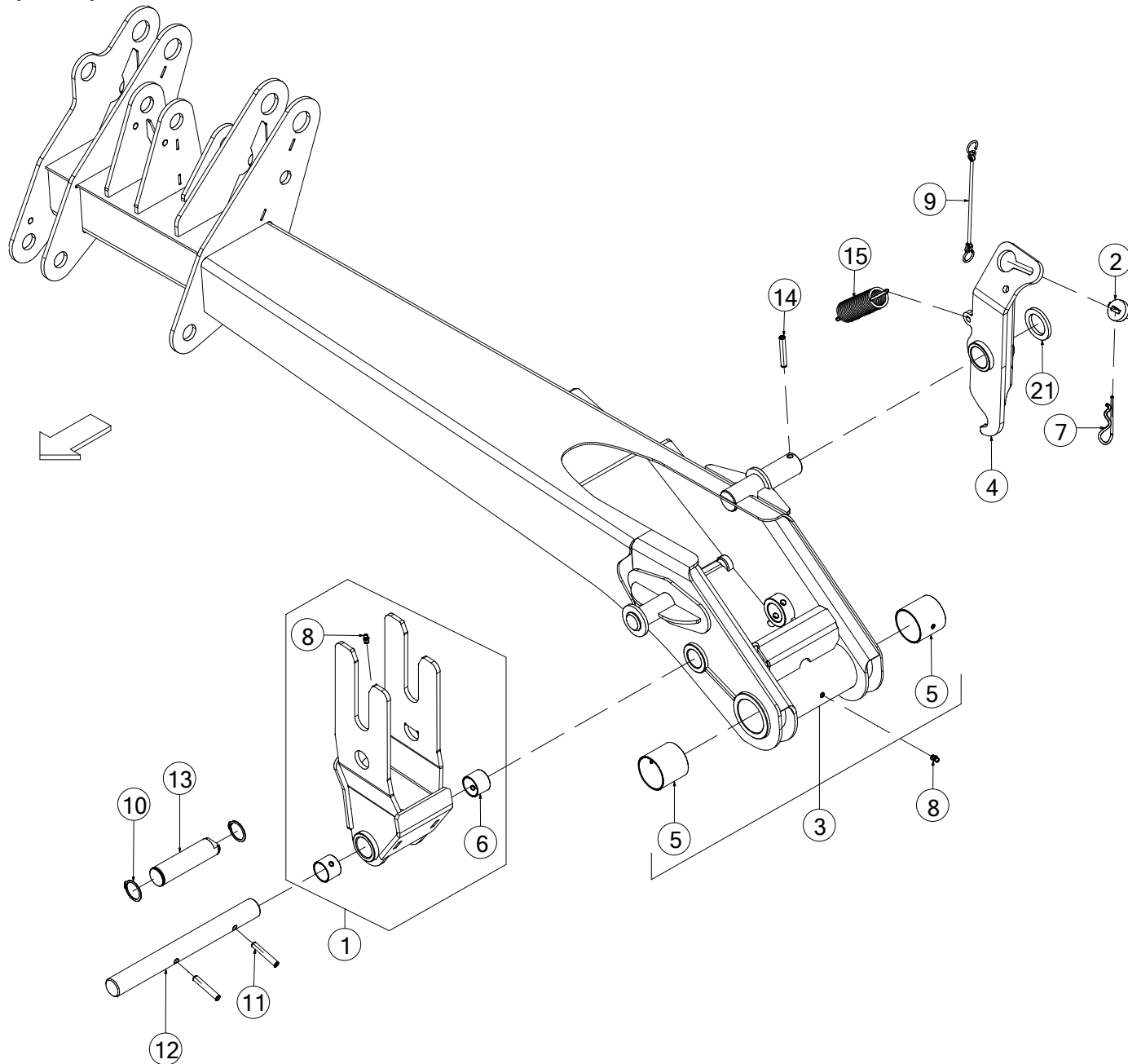
No.	Part No	Description	Qty
1	AMR00003	REAR MOWER SUSPENSION FRAME	1
2	AMR00037	BREAK AWAY PLAIN MOWER	1
3	AMR00040	MOWER SPRING COUPLER	1
4	AMR00090	R310 MAIN PIVOT PIN	1
6	AMR00164	MOWER HEADLAND/TRANSPORT LATCH	1
<i>FROM SERIAL No 1007243</i>			
7	CBR00082	BEARING GLACIER 4040 SY	3
8	CFA00005	LINCH PIN 10MM	3
9	CFA00102	SETSCREW M8X25 Z/P	4
10	CFA00118	GREASE NIPPLE M8X1.25 STRAIGHT	2
11	CFA00124	NUT M12 NYLOC	2
12	CFA00132	NUT M8 NYLOC Z/P	1
13	CFA00147	WASHER FLAT 8MM Z/P	2
14	CFA00184	SETSCREW M12X55 ZP	1
15	CFA00249	WASHER SKM8	4
16	CFA00250	WASHER SKM12	1
17	CFA00340	BOLT M8X60 Z/P	1
<i>FROM SERIAL No 1004882</i>			
18	CFA00457	D SHACKLE 0.375" GAL	1
19	CFA00504	ROLL PIN 12X60 ZP	4
20	CFA00517	BOLT M12X120 Z/P	2
21	CFA00908	SETSCREW M10X25 CSK HEX Z/P	2
22	CFA01208	ROLL PIN 10X60 Z/P	1
<i>FROM SERIAL No 1007243</i>			
23	CMH01114	DOOR STOP BOTTOM DOOR FUSION II	2
24	CMH01645	PIN CAT 2/3 UPPER LINK	1
25	CMH02995	PIN 40X390 C/W CROSS HOLES	1
26	CMH02996	PIN CAT 2/3 LOWER LINK	1
27	CMH03166	PIN 40X250 12MM CROSSHOLES	1
28	CSG00333	SPRING EXT 20W/DX114O/DX650	1
29	CSG00334	SPRING COMP 7WDX39ODX80	1
31	CZB04816	2MM HOSE STORAGE BRKT	1
32	CZC05916	3MM 52X12 PRESSED WASHER	2
33	CZF09153	6MM PTO HANGER BRACKET	1
34	CZF09721	6MM WASHER 6X40.5X60	1
<i>FROM SERIAL No 1007243</i>			
35	CZG02640	8MM PIN CAP PART B9000 MOWER	1
36	CZH09060	10MM MOWER BREAKAWAY	1
37	CZH09448	10MM WASHER 50X11	2
<i>REPLACES CZF02215 (6MM L WASHER 10.5X50X6 Z/P)</i>			
38	AMR00039	MOWER HEADLAND/TRANSPORT LATCH	1
<i>UP TO SERIAL No 1007242</i>			
39	CBR00345	BEARING GLACIER PM 3030 DX	1
<i>UP TO SERIAL No 1007242</i>			
40	CFA00588	ROLL PIN 10X50 Z/P	1
<i>UP TO SERIAL No 1007242</i>			
41	CMH03151	BUSH 30X45X30&10 Z/P	1
<i>UP TO SERIAL No 1007242</i>			

Headstock Rear (1223)



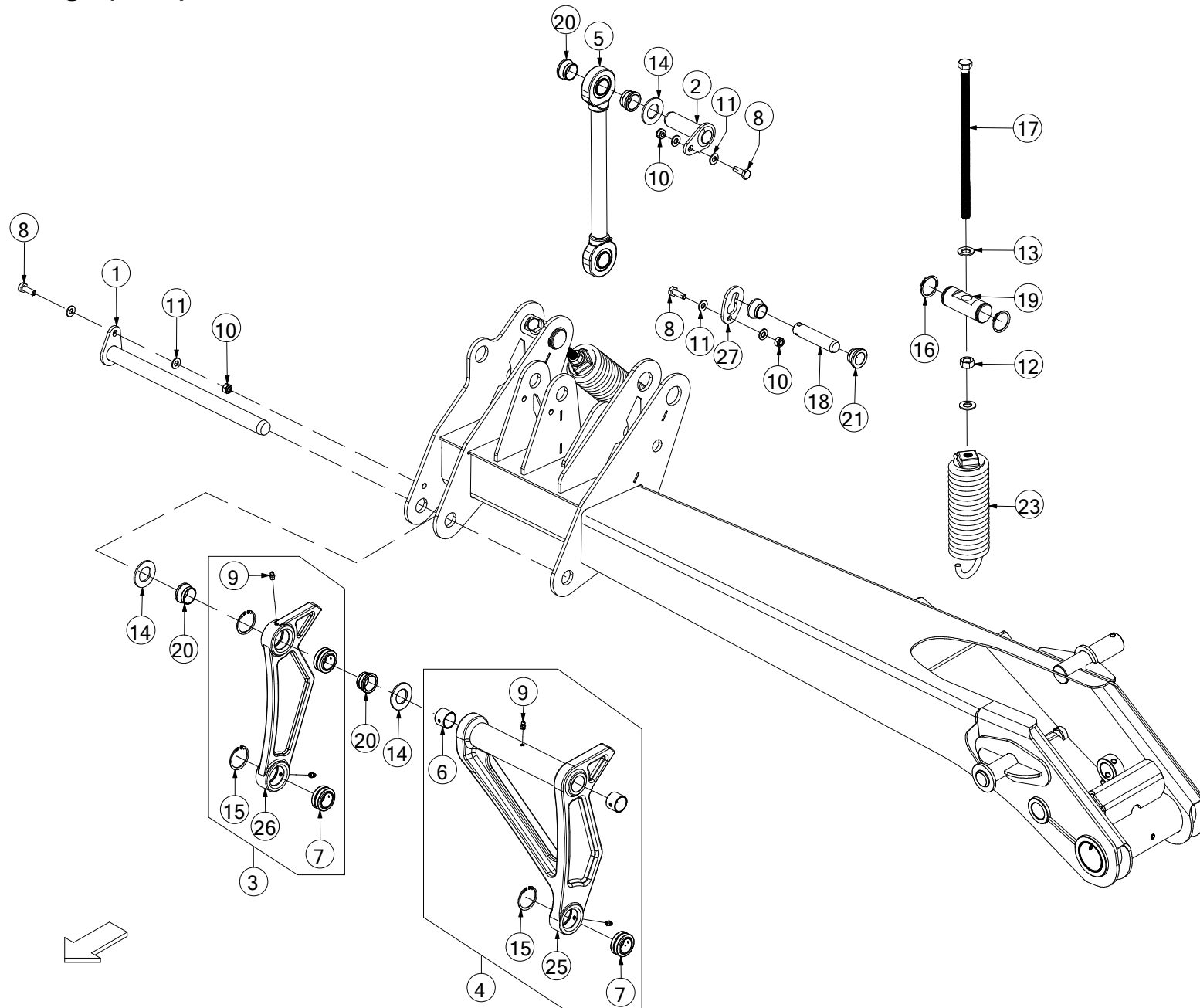
No.	Part No	Description	Qty
2	AMR00003	REAR MOWER SUSPENSION FRAME	1
3	AMR00013	MOWER GEARBOX BRKT	1
6	CFA00005	LINCH PIN 10MM	1
7	CFA00024	SETSCREW M10X25 Z/P	8
8	CFA00025	SETSCREW M10X30	4
9	CFA00034	BOLT M12X90 Z/P	2
10	CFA00036	SETSCREW M12X70 Z/P	2
11	CFA00052	SETSCREW M8X20 Z/P	8
12	CFA00102	SETSCREW M8X25 Z/P	2
13	CFA00123	NUT M10 NYLOC	4
14	CFA00132	NUT M8 NYLOC Z/P	3
15	CFA00147	WASHER FLAT 8MM Z/P	6
16	CFA00201	WASHER FLAT 10 MM Z/P	12
17	CFA00249	WASHER SKM8	4
18	CFA00250	WASHER SKM12	4
19	CFA00251	WASHER SKM10	6
20	CFA00340	BOLT M8X60 Z/P	1
<i>USED FROM SERIAL No 1004882</i>			
21	CFA00476	RUBBER STRAP 240 MM	1
22	CFA00799	WASHER M12 NORDLOC	2
23	CFA00817	SETSCREW M12X35 GRADE 10.9 DIN 933	2
24	CFA00908	SETSCREW M10X25 CSK HEX Z/P	2
25	CFA00914	NUT WELDNUT M10	2
26	CFA01108	JUBLIEE CLIP 90MM-110MM	1
28	CMH01114	DOOR STOP BOTTOM DOOR FUSION II	2
34	CZC05346	3MM TOOL BOX + HANDLE BRKT	1
35	CZC05763	3MM MOWER TOOL BOX BRKT	1
36	CZD01064	4MM SWATH WHEEL STORAGE BRKT	2
39	CZF09150	6MM L MOWER SPRING REST	1
40	CZH09448	10MM WASHER 50X11	2

Arm Main Pivot (1211)



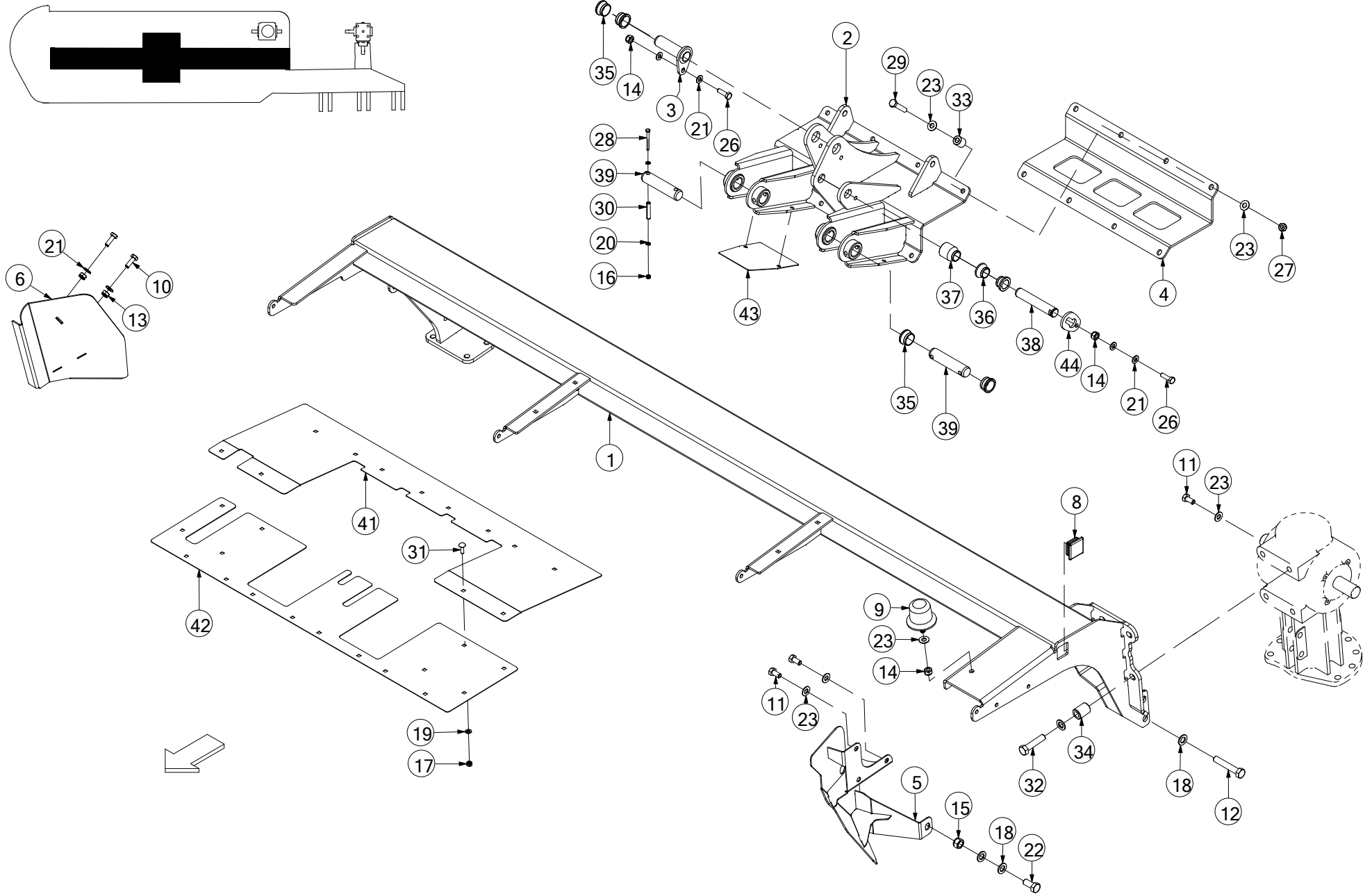
No.	Part No	Description	Qty
1	AMR00019	MOWER LIFT RAM LINK/LOCK	1
2	AMR00068	MOWER CHAIN LOCK	1
3	AMR00092	MOWER ARM ASSY	1
4	AMR00038	MOWER SPRING SUSPENSION LINK	1
<i>UP TO SERIAL No 1007242</i>			
4	AMR00156	MOWER SPRING 40MM SUSP LINK	1
<i>FROM SERIAL No 1007243</i>			
5	CBR00019	BEARING GLACIER PM 6060	2
6	CBR00347	BEARING GLACIER PM 3530 DX	2
7	CFA00004	R-CLIP 4MM	1
8	CFA00118	GREASE NIPPLE M8X1.25 STRAIGHT	2
9	CFA00476	RUBBER STRAP 240 MM	1
10	CFA00514	CIRCLIP 35MM EXTERNAL	2
11	CFA01208	ROLL PIN 10X60 Z/P	2
12	CMH02992	PIN 35X340 C/W CROSS HOLES	1
13	CMH03001	PIN 35X137 CIRCLIP GROOVE	1
14	CFA00588	ROLL PIN 10X50 Z/P	1
<i>UP TO SERIAL No 1007242</i>			
14	CFA01208	ROLL PIN 10X60 Z/P	1
<i>FROM SERIAL No 1007243</i>			
15	CSG00226	SPRING EXT 4.47X37.5X176X26	1
21	CFA00390	WASHER FLAT 30MM LIGHT Z/P	1
<i>UP TO SERIAL No 1007242</i>			
21	CZF09721	6MM WASHER 40.5X60	1
<i>FROM SERIAL No 1007243</i>			

Arm Bed Linkage (1225)



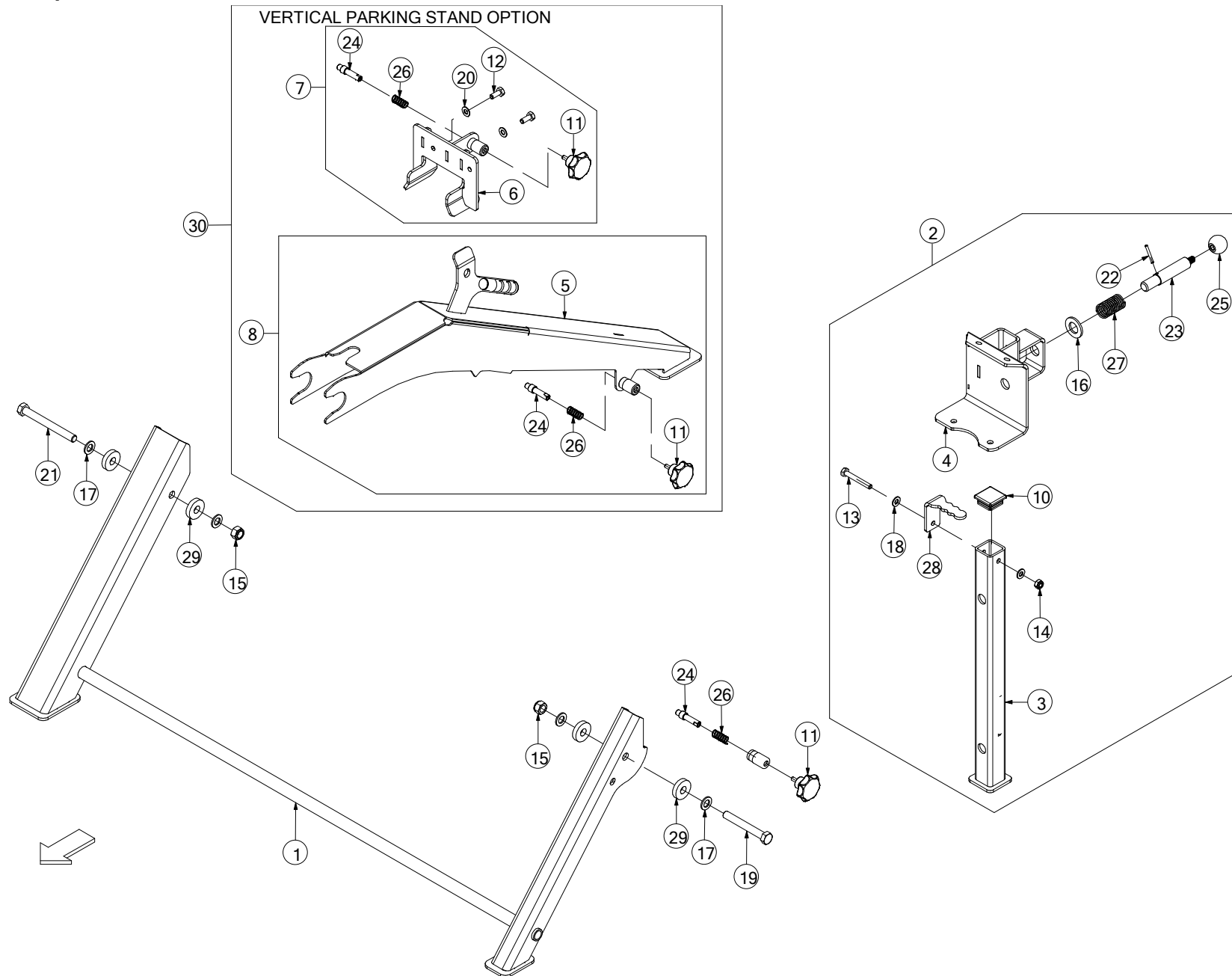
No.	Part No	Description	Qty
1	ALA00730	PIN 30X445 WELD ON CAP	1
2	ALA00748	PIN 30X105 MOWER SUSPENSION	1
3	ALA00782	LINK ARM SIDE MOUNT MOWER	1
4	ALA00783	LINK ARM A FRAME MOWER	1
5	ALA00882	LINK ARM 390MM SIDE MOUNT MOWER	1
6	CBR00007	BEARING GLACIER PM 3025 DX	2
7	CBR00127	BEARING SPHERICAL 30MM GE30ES 2RS	3
8	CFA00025	SETSCREW M10X30	3
9	CFA00118	GREASE NIPPLE M8X1.25 STRAIGHT	4
10	CFA00123	NUT M10 NYLOC	3
11	CFA00201	WASHER FLAT 10 MM Z/P	6
12	CFA00231	NUT M16 Z/P	2
13	CFA00252	WASHER SKM16	4
14	CFA00390	WASHER FLAT 30MM LIGHT Z/P	3
15	CFA00458	47MM INTERNAL CIRCLIP DIN 472	3
16	CFA01079	CIRCLIP 40MM EXTERNAL STAINLESS STEEL	4
17	CFA01089	BOLT M16X340 Z/P	2
18	CMH03303	PIN 25 X 110 MILLED FOR CAP Z/P	1
19	CMH01593	PIN 40X105 Z/P	2
20	CMH01641	BUSH 30X45X21 Z/P	4
21	CMH01643	BUSH 25X40X21 Z/P	2
23	CSG00298	MOWER REAR SUSPENSION SPRING	2
25	CTP00500	LINK ARM A FRAME CAST STEEL	1
26	CTP00502	LINK ARM REAR MOWER	1
27	CZF00293	6MM L CAP SHORT FOR 25MM PINS	1

Bed Linkage & Frame (1267)



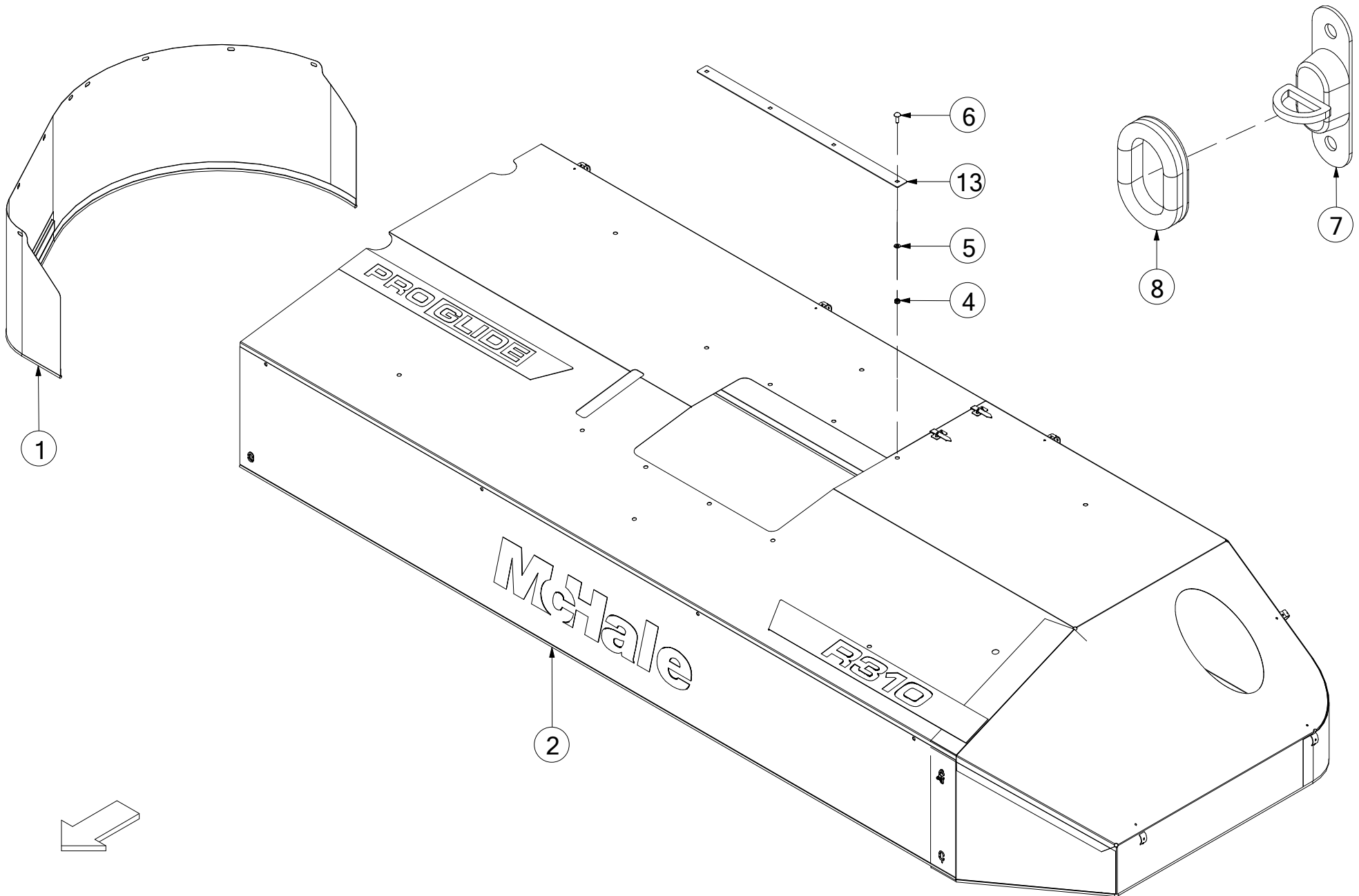
No.	Part No	Description	Qty
1	ACH03056	REAR MOWER 3M MAIN FRAME	1
2	ACH03057	MOWER LINKAGE BKT RHS TOP	1
3	ALA00748	PIN 30X105 MOWER SUSPENSION	1
4	AMR00001	REAR PLAIN MOWER CUTTERUNIT	1
<i>REPLACES CLAMP BRACKET CZF08671</i>			
5	AMR00048	MOWER GBOX CROP SHIELD	1
6	AMR00051	MOWER CROP SHIELD RHS	1
8	CBC00016	CAP PLAS INSERT SQ 80X80	1
9	CBE00404	BUFFER KE 80X60 M12/37 68SH	1
10	CFA00025	SETSCREW M10X30	2
11	CFA00031	SETSCREW M12X25 Z/P	4
12	CFA00063	BOLT M16X90 Z/P	2
13	CFA00123	NUT M10 NYLOC	2
14	CFA00124	NUT M12 NYLOC	3
15	CFA00128	NUT M16 NYLOC	1
16	CFA00131	NUT M6 NYLOC	4
17	CFA00132	NUT M8 NYLOC Z/P	12
18	CFA00140	WASHER FLAT 16MM Z/P	4
19	CFA00147	WASHER FLAT 8MM Z/P	12
20	CFA00148	WASHER SKM M6	8
21	CFA00201	WASHER FLAT 10 MM Z/P	6
22	CFA00229	SETSCREW M16X35 Z/P	1
23	CFA00250	WASHER SKM12	21
26	CFA00311	SETSCREW M10X35 Z/P	2
27	CFA00417	NUT M12X1.5 NYLOC FINE THREAD	8
28	CFA00516	BOLT M6X60 ZP	4
29	CFA00586	BOLT M12X60X10.9 FINE THREAD ZP	8
30	CFA00588	ROLL PIN 10X50 Z/P	4
31	CFA00591	SETSCREW M8X25 CUPHEAD SQ ZP	12
32	CFA01034	BOLT M16X70 Z/P GRADE 8.8	4
33	CMH00745	BUSH 12X25X25	8
34	CMH01028	BUSH 17X30X39	4
35	CMH01641	BUSH 30X45X21 Z/P	6
36	CMH01643	BUSH 25X40X21 Z/P	2
37	CMH01718	BUSH 25X40X47 Z/P	1
38	CMH01951	PIN 25X140 MILLED FOR CAP ZP	1
39	CMH02919	PIN 30X130 CROSSHOLES	2
41	CZB01021	1.5MM L MOWER LINK COVER	1
42	CZB01022	1.5MM L MOWER LINK COVER	1
43	CZB04806	1.5MM MOWER LINKAGE COVER	2
44	CZF00293	6MM L CAP SHORT FOR 25MM PINS	1

Stand (1210)



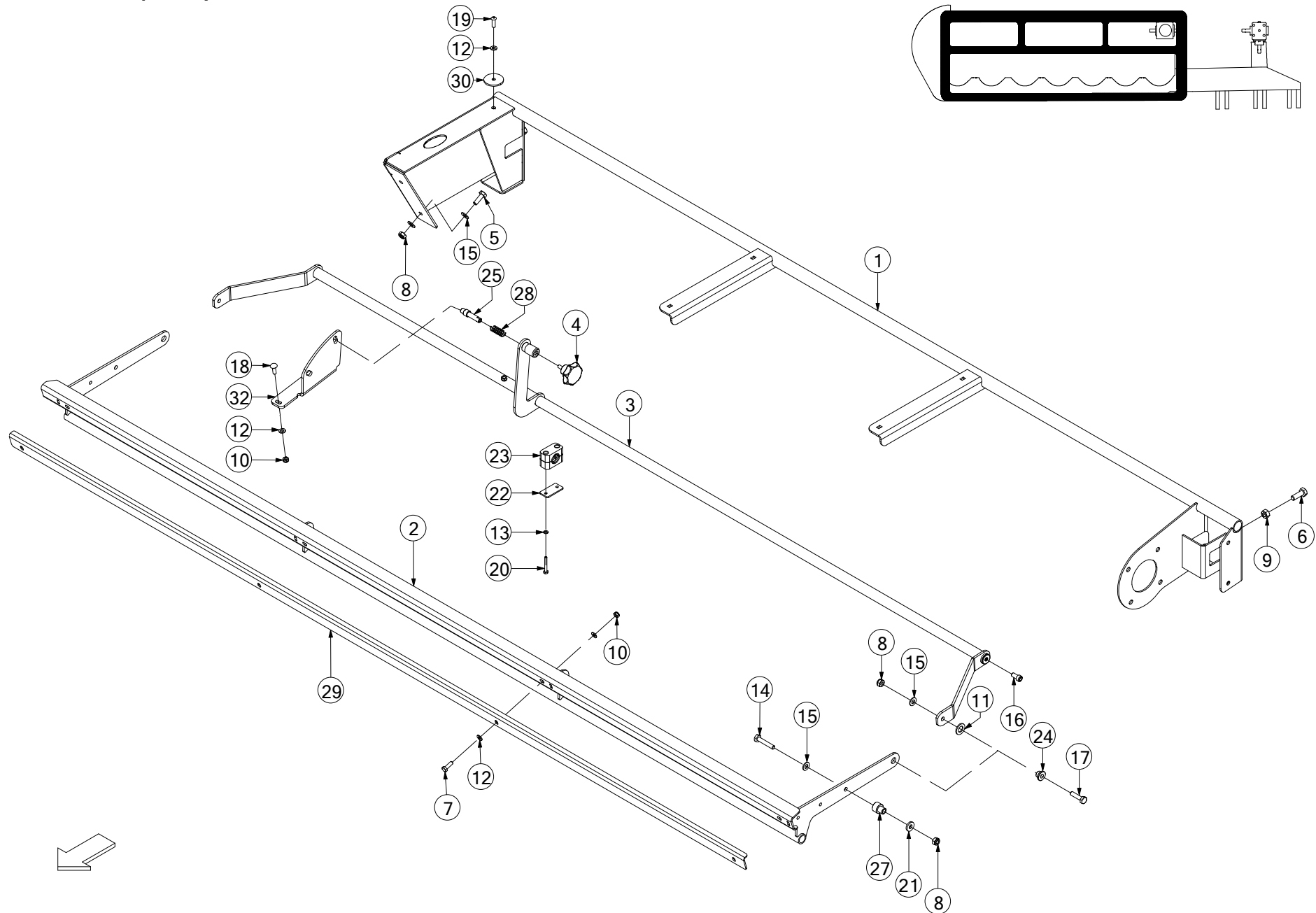
No.	Part No	Description	Qty
1	AMR00041	MOWER FRONT STAND	1
2	AMR00061	R3100NC REAR STAND ASSY	1
<i>DOESNT INCLUDE ITEM 10</i>			
3	AMR00062	R3100NC REAR STAND WELD	1
4	AMR00065	R3100NC REAR STAND BASE	1
5	AMR00123	VERTICAL PARKING STAND	1
6	AMR00124	PARKING STAND LATCH	1
7	AMR00125	PARKING STAND LATCH ASSY	1
8	AMR00126	PARKING STAND W/PLUNGER	1
10	CBC00016	CAP PLAS INSERT SQ 80X80	1
11	CTP00885	ALUMINIUM KNOB ASSEMBLY M8	3
12	CFA00024	SETSCREW M10X25 Z/P	2
13	CFA00075	BOLT M10X75 Z/P	1
14	CFA00123	NUT M10 NYLOC	1
15	CFA00128	NUT M16 NYLOC	2
16	CFA00135	WASHER FLAT 1" Z/P	1
17	CFA00140	WASHER FLAT 16MM Z/P	4
18	CFA00201	WASHER FLAT 10 MM Z/P	2
19	CFA00209	BOLT M16X120 Z/P	1
20	CFA00251	WASHER SKM10	2
21	CFA00259	BOLT M16X150 Z/P	1
22	CFA00555	ROLL PIN 5X40 Z/P	1
23	CMH01874	PIN 25X150 STEPPED Z/P	1
24	CMH02924	INDEX PIN 16X65	3
25	CPL00256	BALL KNOB TYPE C DIN 319 (RAKE)	1
26	CSG00010	SPRING COMP 1.625X16X40X8	3
27	CSG00312	SPRING COMPRESSION (RAKE)	1
28	CZF09256	6MM MOWER STAND HANDLE	1
29	CZH09064	10MM WASHER 17X45	4
30	KST00223	R310 VERTICAL PARKING STAND	1

Curtains (1264)



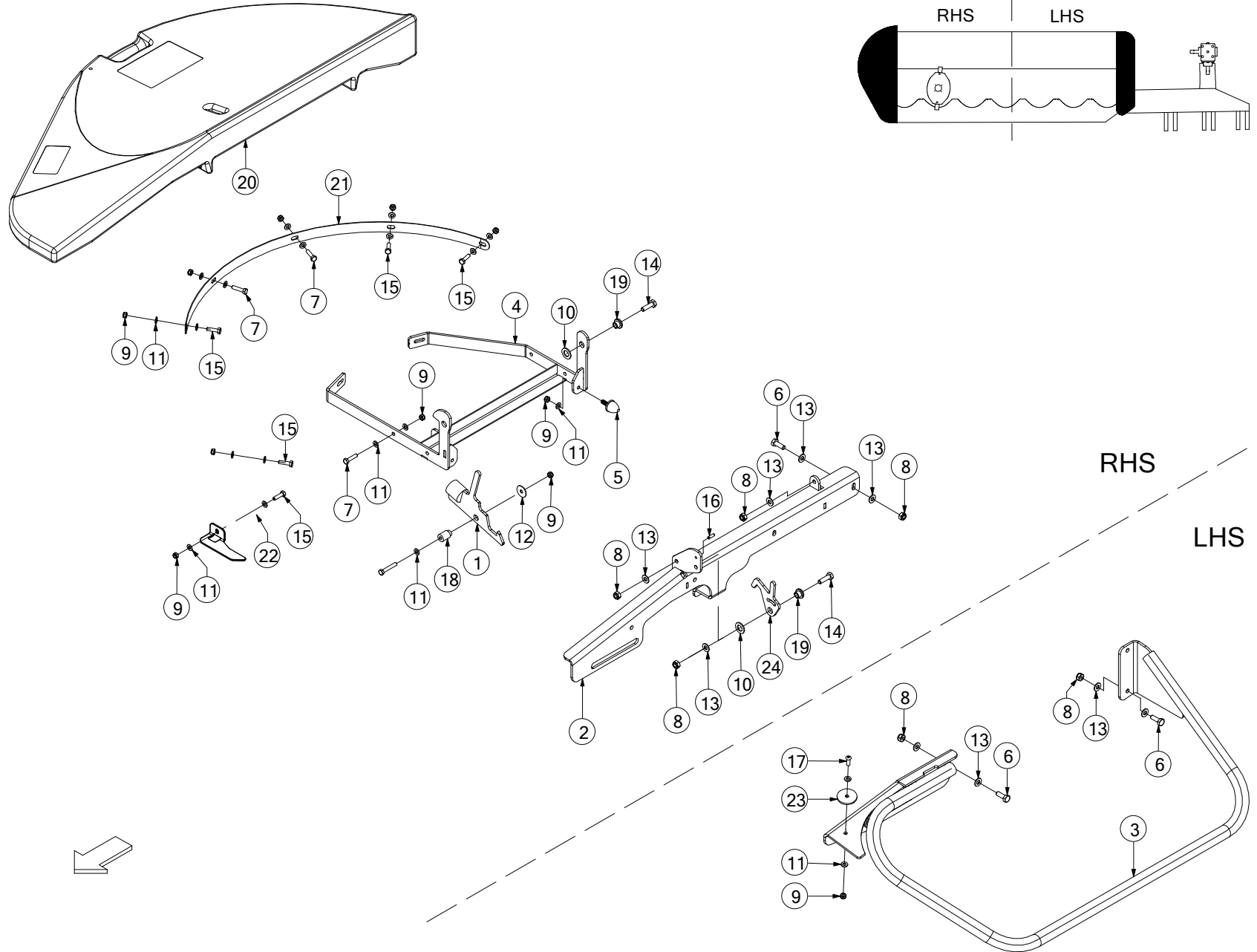
No.	Part No	Description	Qty
1	AGD00035	FRONT MOWER RHS CURTAIN ASSY	1
2	AGD00099	MAIN CURTAIN 3M REAR MOWER	1
4	CFA00132	NUT M8 NYLOC Z/P	8
5	CFA00147	WASHER FLAT 8MM Z/P	8
6	CFA00591	SETSCREW M8X25 CUPHEAD SQ ZP	8
7	CFA02371	TURNABLE STAPLE 22.5X13.5 BRASS	1
8	CFA02372	OVAL EYELET 22X12(CANVAS)	1
13	CZB01015	2MM L MOWER COVER STRAP	2

Guard Rails (1265)



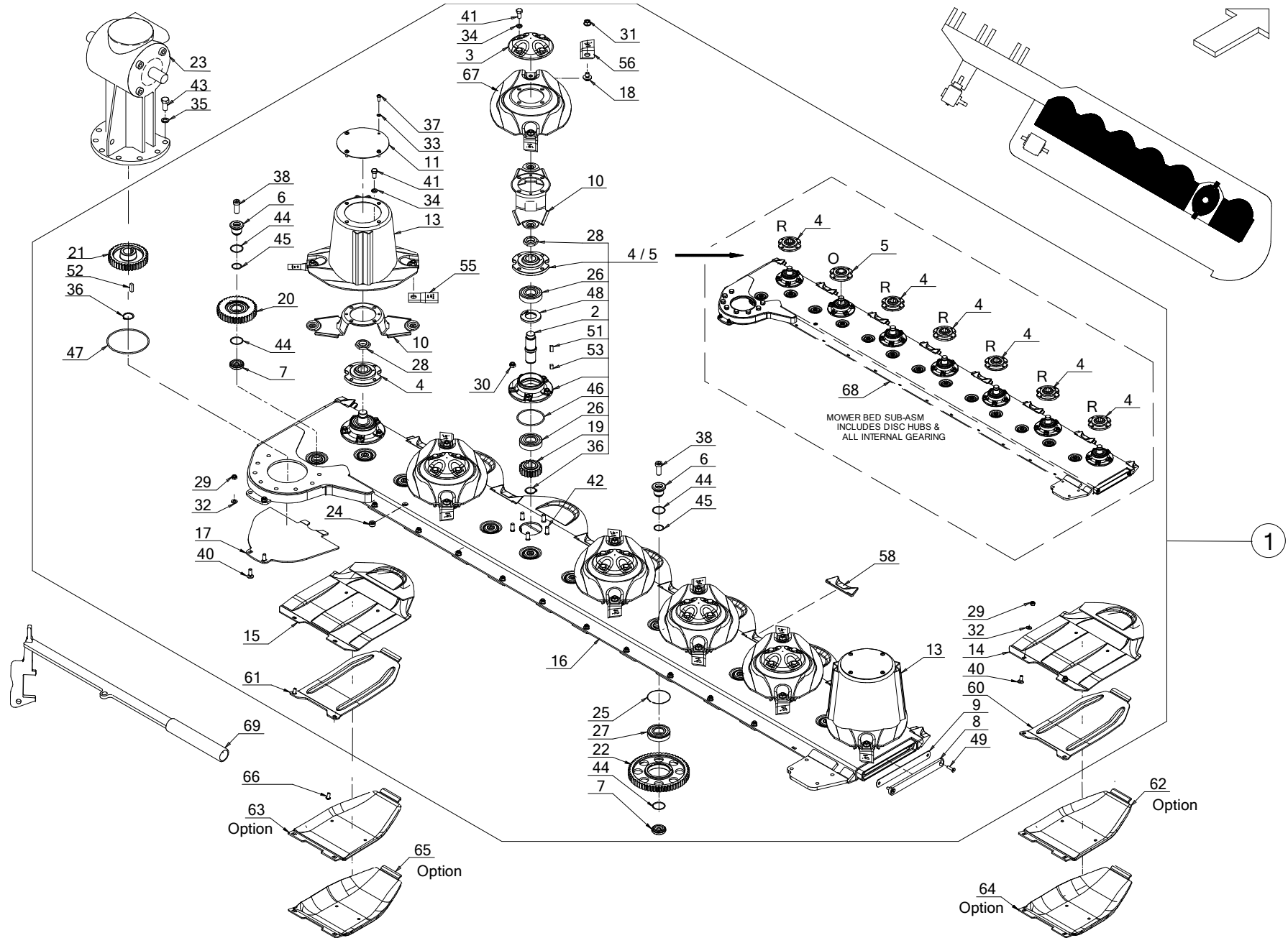
No.	Part No	Description	Qty
1	AGD00095	REAR MOWER REAR GUARD	1
2	AGD00190	PLAIN MOWER FRONT COVER	1
3	AMR00091	COVER LINKAGE ARM	1
4	CTP00885	ALUMINIUM KNOB ASSEMBLY M8	1
5	CFA00025	SETSCREW M10X30	2
6	CFA00033	SETSCREW M12X35 Z/P	2
7	CFA00102	SETSCREW M8X25 Z/P	4
8	CFA00123	NUT M10 NYLOC	6
9	CFA00125	NUT M12 Z/P	2
10	CFA00132	NUT M8 NYLOC Z/P	4
11	CFA00140	WASHER FLAT 16MM Z/P	2
12	CFA00147	WASHER FLAT 8MM Z/P	11
13	CFA00148	WASHER SKM M6	2
14	CFA00156	BOLT M10X55	2
15	CFA00201	WASHER FLAT 10 MM Z/P	8
16	CFA00291	SETSCREW M10X20 SOC CAP ZP	2
17	CFA00312	SETSCREW M10X40 Z/P	2
18	CFA00591	SETSCREW M8X25 CUPHEAD SQ ZP	2
19	CFA00744	SETSCREW M8X25 BUTTO	1
20	CFA00801	SETSCREW M6X45	2
21	CFA01231	M10 HD WASHER Z/P DIN7349	2
22	CFA02469	COVER PLATE S4 DIN 3015	1
23	CFA02471	HOSE CLAMP BODY S4 30MM	1
24	CMH02724	BUSH 25X10.5X14 STEPPED	2
25	CMH02924	INDEX PIN 16X65	1
27	CMH03622	BUSH 25X10.5X30 STEPPED	2
28	CSG00010	SPRING COMP 1.625X16X40X8	1
29	CZC06134	3MM FRONT COVER BAR 3M	1
30	CZD02411	4MM L WASHER 8.5X50 Z/P	1
32	CZF09400	6MM LINKAGE BRKT MOWER	1

Guard RH & LH (1266)



No.	Part No	Description	Qty
1	AGD00017	MOWER GUARD GRAVITY LATCH	1
2	AGD00096	REAR MOWER RHS GUARD BRKT	1
3	AGD00098	REAR MOWER LHS GUARD	1
4	AGD00118	MOWER GUARD FRAME RHS	1
5	CBE00028	BUFFER RUBBER 30X36 M8/27 57SH	1
6	CFA00025	SETSCREW M10X30	4
7	CFA00107	BOLT SETSCREW M8X35 Z/P	4
8	CFA00123	NUT M10 NYLOC	7
9	CFA00132	NUT M8 NYLOC Z/P	12
10	CFA00140	WASHER FLAT 16MM Z/P	2
11	CFA00147	WASHER FLAT 8MM Z/P	19
12	CFA00149	WASHER MUDWING M8 31.75OD	1
13	CFA00201	WASHER FLAT 10 MM Z/P	9
14	CFA00311	SETSCREW M10X35 Z/P	2
15	CFA00491	SETSCREW M8X30 Z/P	5
16	CFA00667	ROLL PIN 6X20	1
17	CFA00744	SETSCREW M8X25 BUTTO	1
18	CMH02691	BUSH 20X15X50	1
19	CMH02724	BUSH 25X10.5X14 STEPPED	2
20	CPL00231	PLASTIC MOWER GUARD RHS	1
21	CZB02545	2MM L FRONT MOWER CURTAIN STRIP	1
22	CZB02547	2MM L FRONT MOWER CURTAIN STRIP 2 HOLE	1
23	CZD02411	4MM L WASHER 8.5X50 Z/P	1
24	CZF08958	6MM L MOWER GRAVITY LATCH	1

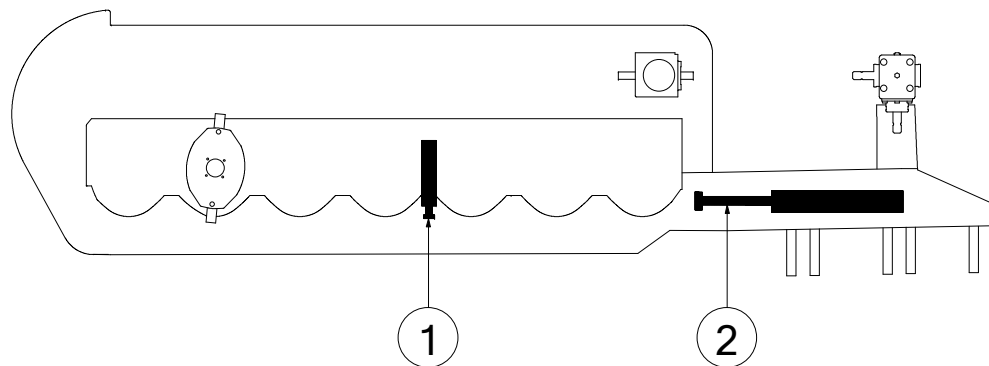
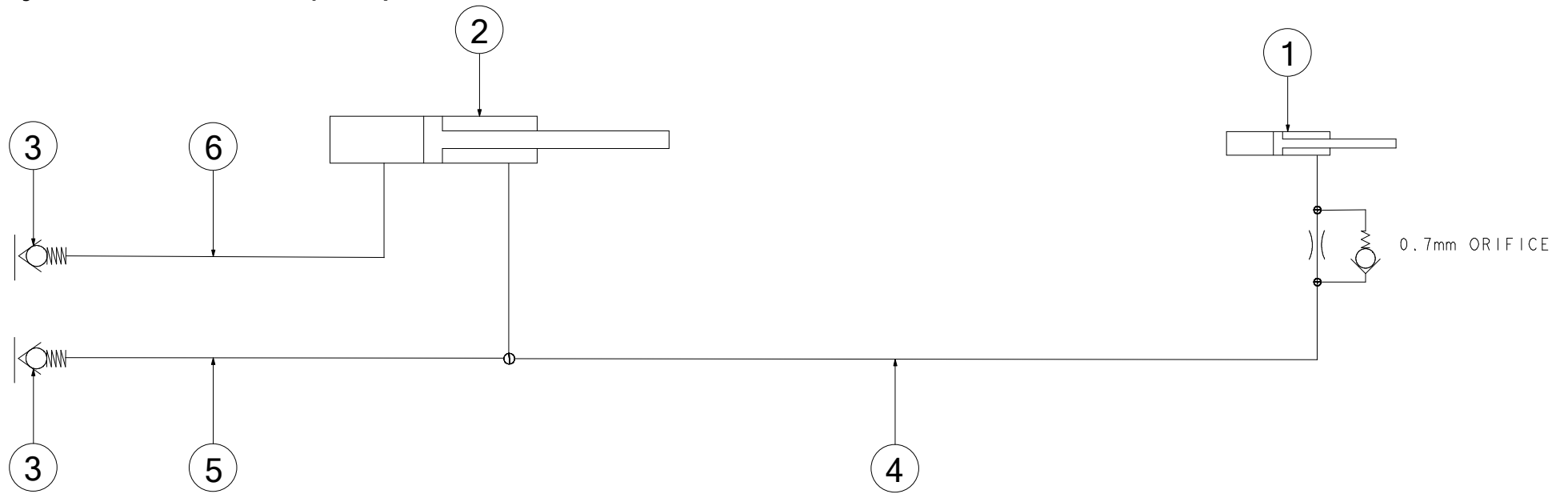
Cutter Bar RH (1263)



No.	Part No	Description	Qty
1	CMT00356	MOWER CUTTERBAR ASM COMPLETE RH	1
2	CMH01691	SHAFT PINION L120 MOWER HUB	7
3	CZB00304	COVER CAP DISC MOWER	5
4	AA00001	DISC HUB ASM UPPER (R)	6
5	AA00002	DISC HUB ASM UPPER (O)	1
6	CMH01696	IDLER HOLDER UPPER MOWER BED	13
7	CMH02764	IDLER HOLDER LOWER MOWER	13
8	CMH01742	BAR CLOSURE 2X CSK HOLES MOWER BED	1
9	CBE00335	GASKET BAR RUBBER MOWER BED	1
10	CZE00318	KNIFE HOLDER MOWER 5MM	7
11	CZB00305	CAP COVER DISC OUTER DRUM MOWER	2
13	ART00398	MOWER DISC WITH OUTER DRUM FLAT	2
<i>(INCLUDES ITEMS 18 & 31) ALSO ORDER ITEM 10 FOR MACHINES PRIOR TO SERIAL No 1002500</i>			
14	ACH01619	MAIN SLIDE DISC MOWER W/SLOT	6
<i>FROM SERIAL No 1002500 (96 MM SLOT)</i>			
15	ACH01620	SLIDE UNDER G-BOX MOWER W/SLOT	1
<i>FROM SERIAL No 1002500 (96 MM SLOT)</i>			
16	CMT00522	CUTTERBAR HOUSING RHS 3M	1
17	CZE00294	SKID UNDER G-BOX DISC MOWER	1
18	CMH01692	PIN KNIFE HOLDER STUD SPLINED	14
<i>UP TO SERIAL No 1002499</i>			
18	KST00084	KIT SPLINE W/HOOK & SPRING PLATES	1
<i>UP TO SERIAL No 1002499 (CONV KIT TO SPLINED HOOK PINS) FOR REPLACEMENT PINS ORDER CMH02881</i>			
18	CMH01840	PIN KNIFE HOLDER HOOK W/SQ	14
<i>FROM SERIAL No 1002500</i>			
19	CMH01698	GEAR 20T WORK DISC MOWER BED	7
20	CMT00529	GEAR 38T IDLER W/BEARING SKF	1
<i>ASSEMBLY INCLUDES 38T IDLER GEAR CMH01699, RETAINING RING ITEM 25 & BEARING ITEM 27</i>			
21	CMH01693	GEAR 38T GBOX DRIVE MOWER BED	1
22	CMT00829	GEAR ASM 60T W/BEARING SKF	12
<i>ASSEMBLY INCLUDES 60T GEAR CMH01697, RETAINING RING ITEM 25 & BEARING ITEM 27</i>			
23	CMT00465	GEARBOX REAR MOWER R310	1
24	CFA01085	PLUG OIL INLET HEX M22X1.5 MWR BED	1
25	CFA01109	RETAINING RING 6307N BEARING	13
26	CBR00383	BEARING 6307 2RS C3	14
27	CBR00335	BEARING 6307 2RS NR SNAP-RING	13
28	CFA01116	NUT LOCK-HALF M30X1.5 MWR 8.8 Z/P	7
29	CFA00123	NUT M10 NYLOC Z/P	14
30	CFA00124	NUT M12 NYLOC	35
31	CFA00439	NUT M12 FLANGED HEAD 10.9 Z/P	14
32	CFA00201	WASHER FLAT 10MM Z/P	14
33	CFA00185	WASHER SPRING 8MM Z/P	8
34	CFA00623	WASHER SPRING 12MM LIGHT Z/P	28
35	CFA00252	WASHER SKM16	8
36	CFA00514	CIRCLIP 35MM EXTERNAL	8
37	CFA00429	SCREW M8X20 BTN HEAD SOC HX Z/P	8
38	CFA01110	BOLT M16X40 ALLEN HD 10.9	13
40	CFA00017	SETSCREW M10X30 CUP SQ Z/P	14
41	CFA00031	SETSCREW M12X25 ZP	28
42	CFA01115	BOLT M12X30 KNURLED 10.9 Z/P MOWER	35

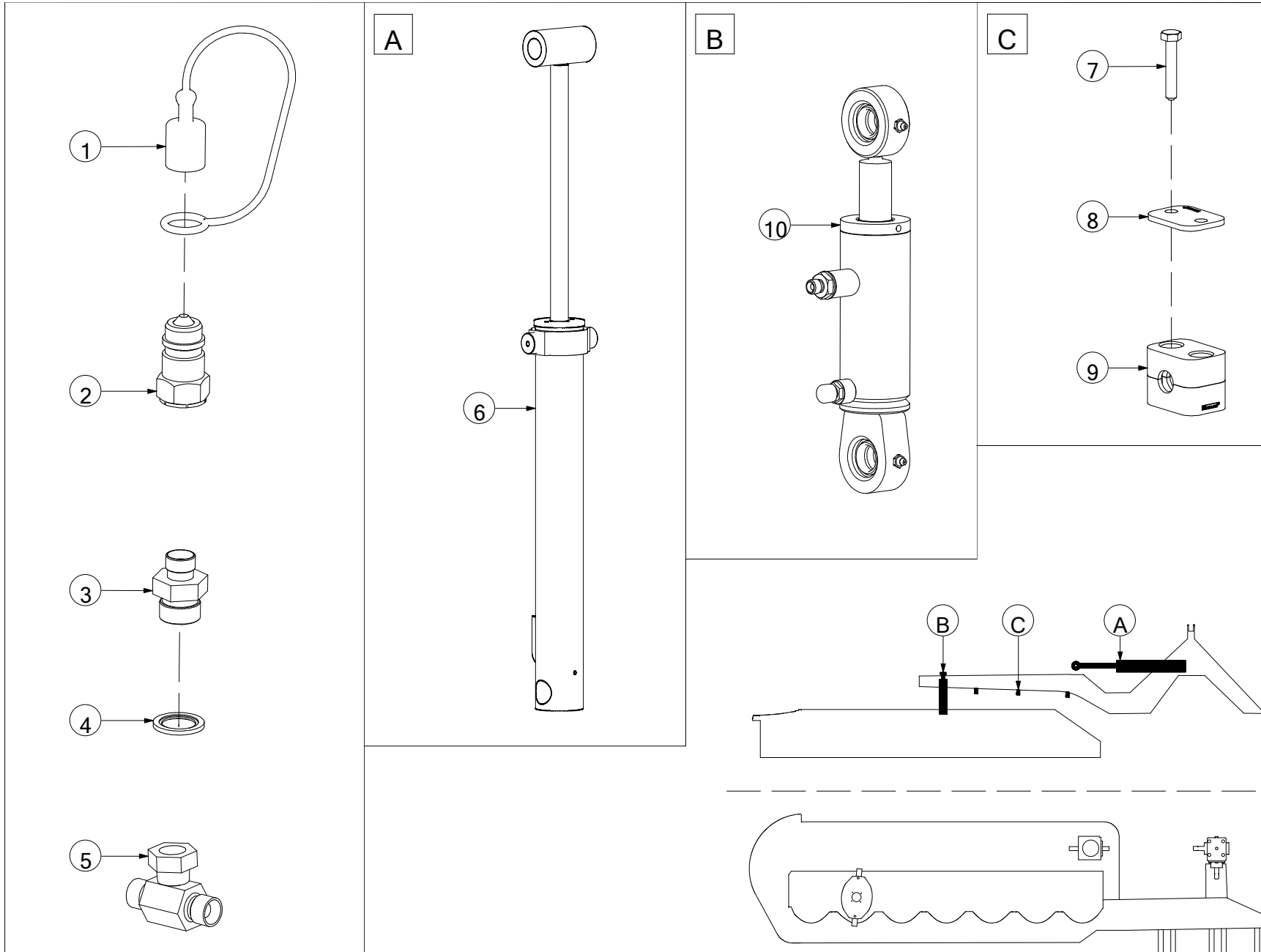
43	CFA00229	SETSCREW M16X35 Z/P	8
44	CSE00855	SEAL O RING OS 40X2.5 MOWER	26
45	CSE00645	SEAL O RING OS 30X2.5 MOWER	13
46	CSE00638	SEAL O RING OS 90X4	7
47	CFA02340	LOCTITE SI 5926 40ML NON SETTING GASKET	1
<i>UP TO SERIAL No 1006513 (APPLY SEALANT TO MACHINED SURFACES AROUND CENTRE BORE & THREADLOCK BOLTS)</i>			
47	CSE00639	SEAL O RING OS 142X4	1
<i>FROM SERIAL No 1006514 (APPLY LOCTITE THREADLOCK TO BOLT THREADS ON RE-ASSEMBLY)</i>			
48	CSE00637	OIL SEAL AO 40X72X7 MOWER BED	7
49	CFA00593	SETSCREW M8X30 CSK ALLEN Z/P	2
51	CFA01111	KEY B 10X8X22 MOWER BED	7
52	CFA01112	KEY B 10x8x30 MOWER BED	1
53	CFA01082	KEY B 10x8x16 MOWER BED	7
55	KCN00052	MOWER BLADE 50X109 RH 10 DEG	8
56	KCN00053	MOWER BLADE 50X109 LH 10 DEG	6
58	CTP00832	CUTTERBAR COUNTERKNIFE	7
<i>REPLACEMENT WELD-IN INSERT (REPLACES CTP00513)</i>			
60	CTP00562	SKID PAD FLAT	6
<i>FROM SERIAL No 1002500</i>			
61	CTP00563	SKID PAD FLAT UNDER G/BOX	1
<i>FROM SERIAL No 1002500</i>			
62	CTP00564	HIGH CUT SKID +25MM	6
<i>FROM SERIAL No 1002500</i>			
63	CTP00565	HIGH CUT SKID +25MM UNDER GBOX	1
<i>FROM SERIAL No 1002500</i>			
64	CTP00566	HIGH CUT SKID +50MM	6
<i>FROM SERIAL No 1002500 (95 MM TAB)</i>			
65	CTP00567	HIGH CUT SKID +50MM UNDER GBOX	1
<i>FROM SERIAL No 1002500 (95 MM TAB)</i>			
66	CFA00243	SETSCREW M10X20 BUTTON HEAD Z/P	2
67	ART00376	MOWER DISK W/SPLINED HOLE	5
<i>UP TO SERIAL No 1002499 (INCLUDES ITEMS 18 & 31)</i>			
67	ART00386	MOWER DISC W/SQ STUD HOLE	5
<i>FROM SERIAL No 1002500 (INCLUDES ITEMS 18 & 31)</i>			
67	ART00404	MOWER DISC HALF DRUM	1
<i>THIS CAN BE FITTED AT DISC 2 NEXT TO ITEM 13 (GEARBOX END) TO IMPROVE CROP FLOW IN HEAVY RYE GRASS</i>			
68	CMT00786	MOWER BED 3M RH WITH GEARS&HUBS	1
69	ALA01055	MOWER BLADE RELEASE HANDLE	1

Hydraulic Schematic (1253)



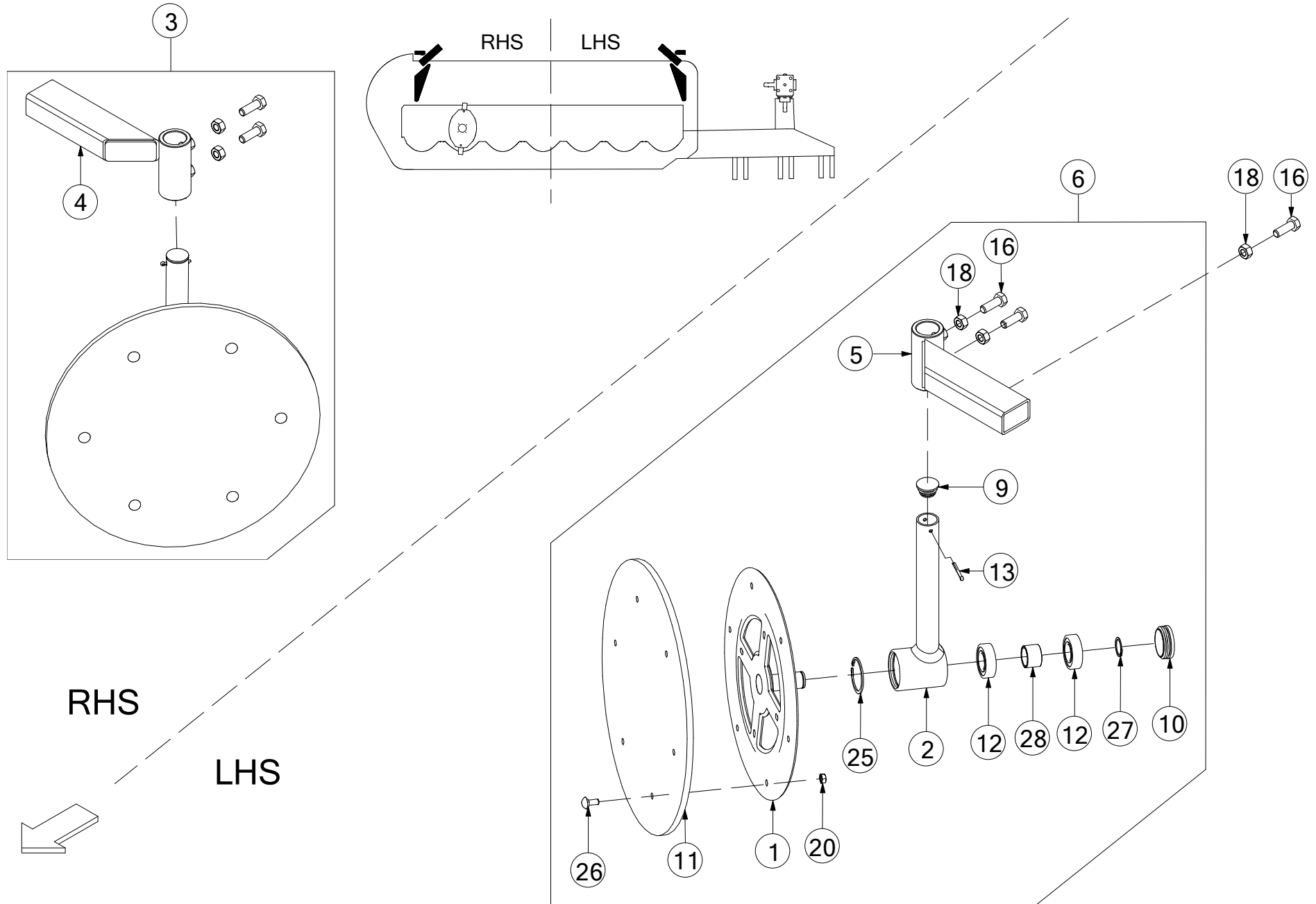
No.	Part No	Description	Qty
1	CRA00801	RAM MOWER SUSPENSION HD	1
2	CRA00893	70X30 DA CYL MOWER	1
<i>UP TO SERIAL No 1007242</i>			
2	CRA00954	80 X 30 DA CYLINDER	1
<i>FROM SERIAL No 1007243</i>			
2a	CSE00901	SEAL KIT CRA00893 & CRA00954	1
3	CHY02316	1/2" FEMALE QUICK RELEASE	2
4	CHY03068	HA04-3025WJ-F0600N-F0400N	1
5	CHY03069	HA06-1400WJ-F0600N-F0600N	1
6	CHY03070	HA06-1400WJ-F0690N-F0600N	1

Hydraulic Components (1254)



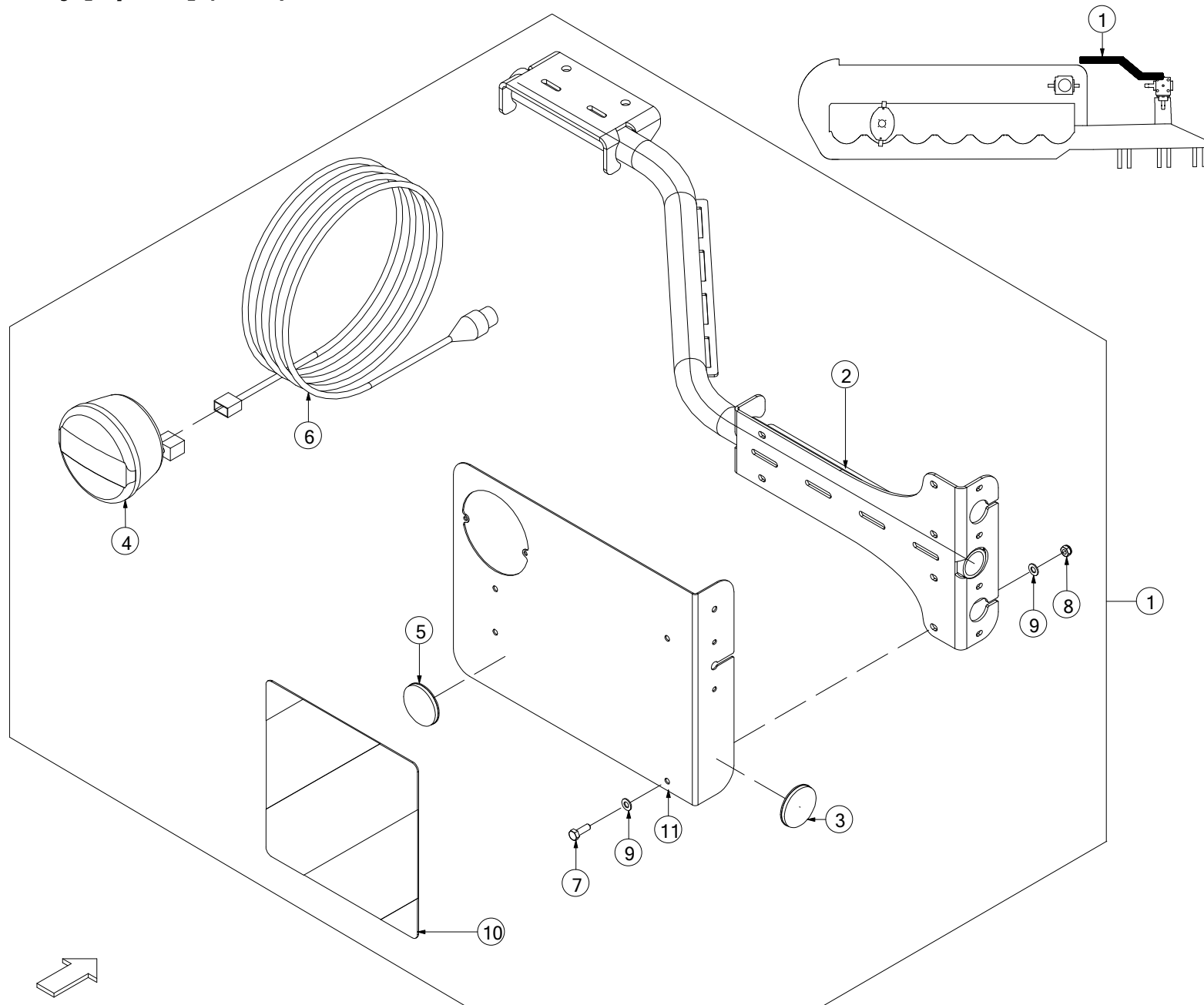
No.	Part No	Description	Qty
1	CHY01338	1/2" MALE Q/R CAP - RED	1
2	CHY02015	QR 1/2" MALE PARKER 7V14G4X4	1
3	CHY02008	ADAPTOR 1/2" M 3/8" M	1
4	CHY00053	WASHER DOWTY 1/2"	1
5	CHY02014	T-PIECE 3/8" M-F-M	1
6	CRA00893	70X30 DA CYL MOWER	1
<i>UP TO SERIAL No 1007242</i>			
6	CRA00954	80 X 30 DA CYLINDER	1
<i>FROM SERIAL No 1007243</i>			
6a	CSE00901	SEAL KIT CRA00893 & CRA00954	1
7	CFA00253	SETSCREW M6X35 Z/P	1
8	CFA01093	COVER PLATE STANDARD SERIES SIZE 2	1
9	CFA01094	HOSE CLAMP BODY 13.5MM	2
10	CRA00801	RAM MOWER SUSPENSION HD	1

Swath Guide [Option] (1270)



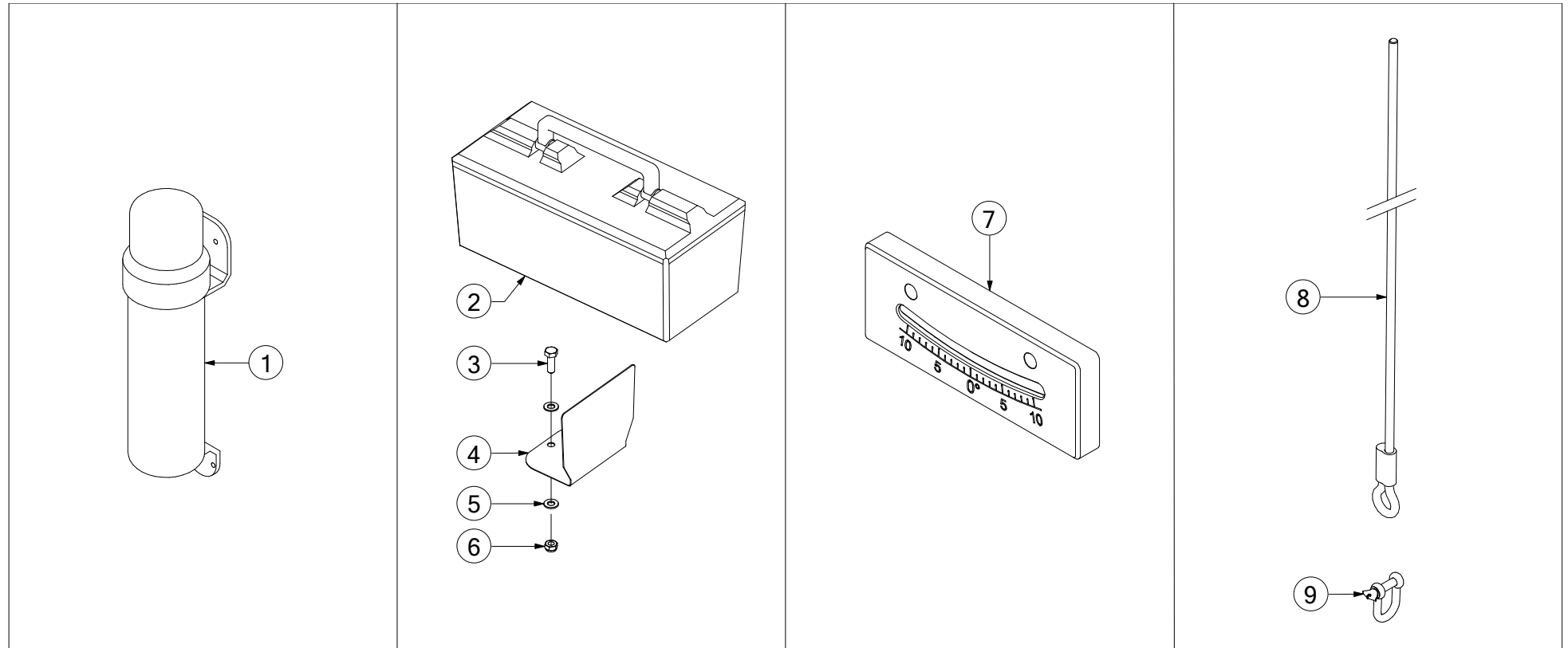
No.	Part No	Description	Qty
1	AMR00042	SWATH WHEEL 420MM	2
2	AMR00043	SWATH GUIDE HUB RHS	2
3	AMR00044	SWATH GUIDE ASSY RHS	1
4	AMR00045	SWATH WHEEL LATERAL ADJ RHS	1
5	AMR00046	SWATH WHEEL LATERAL ADJ LHS	1
6	AMR00047	SWATH GUIDE ASSY LHS	1
9	CBC00010	CAP PLASTIC INSERT 1"	2
10	CBC00185	CAP PLASTIC INSERT 50MM	2
11	CBE00415	420X10 RUBBER DISC	2
12	CBR00009	BEARING 6205 2RS	4
13	CFA00021	SPLIT PIN 4X50 Z/P	2
16	CFA00033	SETSCREW M12X35 Z/P	5
18	CFA00125	NUT M12 Z/P	5
20	CFA00133	NUT M8 Z/P	12
25	CFA00461	52MM INTERNAL CIRCLIP DIN 472	2
26	CFA00506	SETSCREW M8X20 CUPHEAD SQ ZP	12
27	CFA01007	CIRCLIP 25MM EXTERNAL DIN471	2
28	CMH03174	BUSH 33.7X28X22.75	2

Light Assembly [Option] (1273)



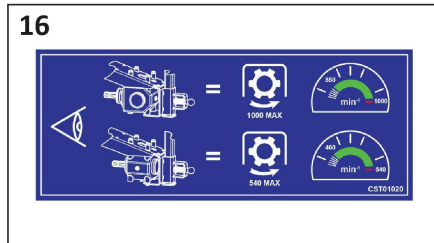
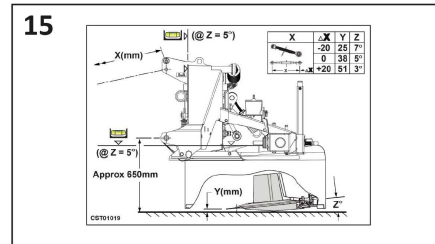
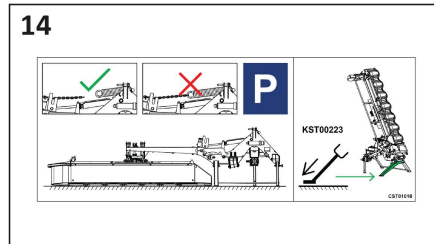
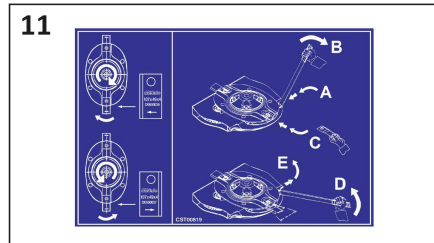
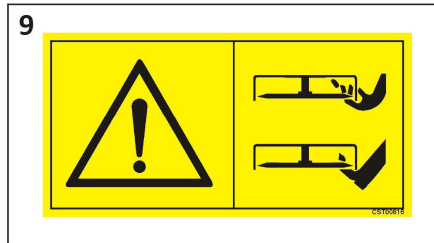
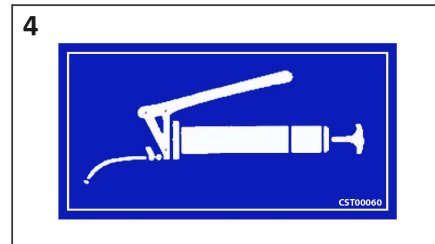
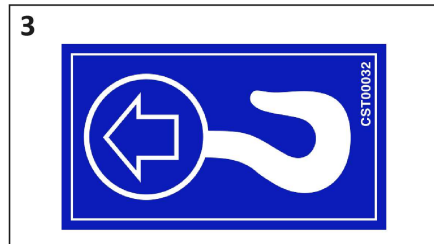
No.	Part No	Description	Qty
1	AMR00098	LIGHTING KIT R310 MOWER	1
2	AMR00097	LIGHT BRKT R310 MOWER	1
3	CEL00643	60MM AMBER REFLECTOR 07.039.000	1
4	CEL01583	TAIL LIGHT RIGHT LED ORBITAL	1
5	CEL01955	REFLECTOR RED STICK-ON Ø60MM	1
6	CEL01956	REAR MOWER LIGHTING LOOM RHS	1
7	CEL01957	LED MARKER STALK 850MM	1
8	CFA00047	SETSCREW M6X30 Z/P	2
9	CFA00102	SETSCREW M8X25 Z/P	4
10	CFA00131	NUT M6 NYLOC	2
11	CFA00132	NUT M8 NYLOC Z/P	4
12	CFA00144	WASHER FLAT 6MM Z/P	4
13	CFA00147	WASHER FLAT 8MM Z/P	8
14	CST00831	MARKER BOARD STICKER 282X282 LEFT	1
15	CZB04865	2MM LIGHTING BRKT MOWER	1

Accessories (1239)



No.	Part No	Description	Qty
1	CPL00221	MACHINE MANUAL HOLDER CIRCULAR	1
2	CPL00222	TOOL BOX PLASTIC (SERKO)	1
3	CFA00102	SETSCREW M8X25 Z/P	1
4	CZB00303	1.5MM TOOL BOX DIVIDER	1
5	CFA00147	WASHER FLAT 8MM Z/P	2
6	CFA00132	NUT M8 NYLOC Z/P	1
7	CTP00598	BALL INCLINOMETER +/-10 DEG	1
8	CTP00491	PULL ROPE MOWER TRANSPORT LATCH	1
9	CFA00457	D SHACKLE 0.375 GALVANISED	1

Decals (1256)



No.	Part No	Description	Qty
1	CST00014	DECAL WARNING! ROTATING ELEMENT	1
2	CST00019	DECAL CRUSHED HAND MCH-005	3
3	CST00032	DECAL LIFTING HOOK	3
4	CST00060	DECAL GREASE GUN MCH 004	6
5	CST00110	DECAL READ MANUAL (HORIZONTAL)	1
6	CST00113	DECAL REMOVE KEY (HORIZONTAL)	1
7	CST00120	DECAL CRUSHED HAND (ABOVE)	1
8	CST00143	DECAL MAN WRAPPED IN SHAFT 220	2
9	CST00816	DECAL WARNING ROTOR HAND & FOOT	2
10	CST00817	DECAL TRIPLE WARNING GUARD STOP +50M ZONE	2
11	CST00819	DECAL MOWER BLADE REPLACEMENT	1
12	CST00835	MCHALE LOGO SILVER 260X58MM HIGH	1
	<i>SMALL</i>		
12	CST00905	DECAL 'MCHALE' 90 X 400	1
	<i>LARGE</i>		
13	CST00836	PRO GLIDE LOGO SILVER RECTANGLE 765X97MM	1
14	CST01016	DECAL PARKING R310	1
15	CST01019	DECAL R310 SET-UP & HEIGHT ADJ	1
16	CST01020	DECAL R310 PTO	1
17	CST01036	PROGLIDE LOGO SILVER 650 X 81	1
18	CST01035	DECAL KIT R310 MOWER	1