

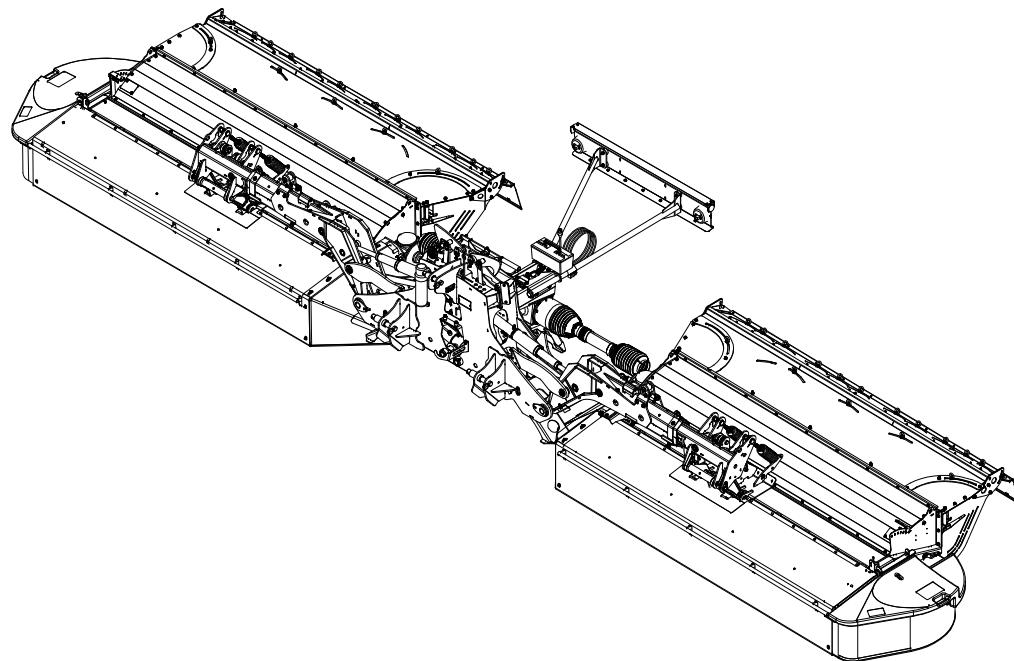
# McHale PRO GLIDE



QUALITY

I.S. EN ISO 9001:2015

NSAI Certified



## PRO GLIDE B9600 Spare Parts Book

McHale,  
Ballinrobe,  
Co. Mayo, Ireland.

Tel: +353 94 9520300

Fax: +353 94 9520356

Email: [sales@mchale.net](mailto:sales@mchale.net)

Website: [www.mchale.net](http://www.mchale.net)

---

This page is intentionally left blank

---

## Introduction

---

The **McHale PRO GLIDE B9600** which you have purchased has been developed through years of constant research and development. Given proper care and attention the **PRO GLIDE B9600** will give years of reliable and dependable performance. However it is important that the operators manual is read and fully understood to achieve this, **before** the machine is operated. As part of this philosophy it is vital to use only **genuine McHale** replacement parts, as these are manufactured to the same high standard as the original machine. These may be obtained through your **McHale** dealer.

If any part of this manual is not fully understood, please contact your **McHale** dealer who will be able to answer any questions or queries that you might have. It is important to quote the machine serial number when requiring spare parts or technical assistance. Space is provided below to record the machine details:

<b>Serial number:</b>	
<b>Year of manufacture:</b>	
<b>Date of delivery:</b>	

If you require further copies of this spare parts manual please  
quote part number CLT01346

**Note:** Parts described as left and right are done so according to the direction that the machine normally travels in.

**Note:** Due to a policy of continuous product development and improvement *McHale Engineering* reserve the right to alter machine specifications without prior notice.

---

# Contents

---

Section	Page	Document	Section	Page	Document
<b>PTO shafts &amp; Gearboxes</b>					
PTO shaft primary (1140)	6	SPD01140			
PTO shaft secondary RH (1438)	8	SPD01438			
PTO shaft secondary LH (1439)	10	SPD01439			
Gearbox input (1111)	12	SPD01111			
Gearbox RH 2 speed (1102)	14	SPD01102			
Gearbox LH 2 speed (1108)	16	SPD01108			
<b>Chassis</b>					
Headstock frame (1405)	18	SPD01405			
Latches (1406)	20	SPD01406			
Suspension Arm RH (1407)	22	SPD01407			
Suspension Arm LH (1408)	24	SPD01408			
Main Frame RH (1409)	26	SPD01409			
Main Frame LH (1410)	28	SPD01410			
Drive Couplings RH (1411)	30	SPD01411			
Drive Couplings LH (1412)	32	SPD01412			
Cutterbar RH (1415)	34	SPD01415			
Cutterbar LH (1416)	36	SPD01416			
Discharge Unit RH (1413)	38	SPD01413			
Discharge Unit LH (1414)	40	SPD01414			
Panels RH (1417)	42	SPD01417			
Panels LH (1418)	44	SPD01418			
<b>Hydraulic &amp; Electrical</b>					
Hydraulic components (1435)	46	SPD01435			
Electrical lighting (1436)	48	SPD01436			
<b>Decals</b>					
Decals 1 (1201)	50	SPD01201			
Decals 2 (1203)	52	SPD01203			

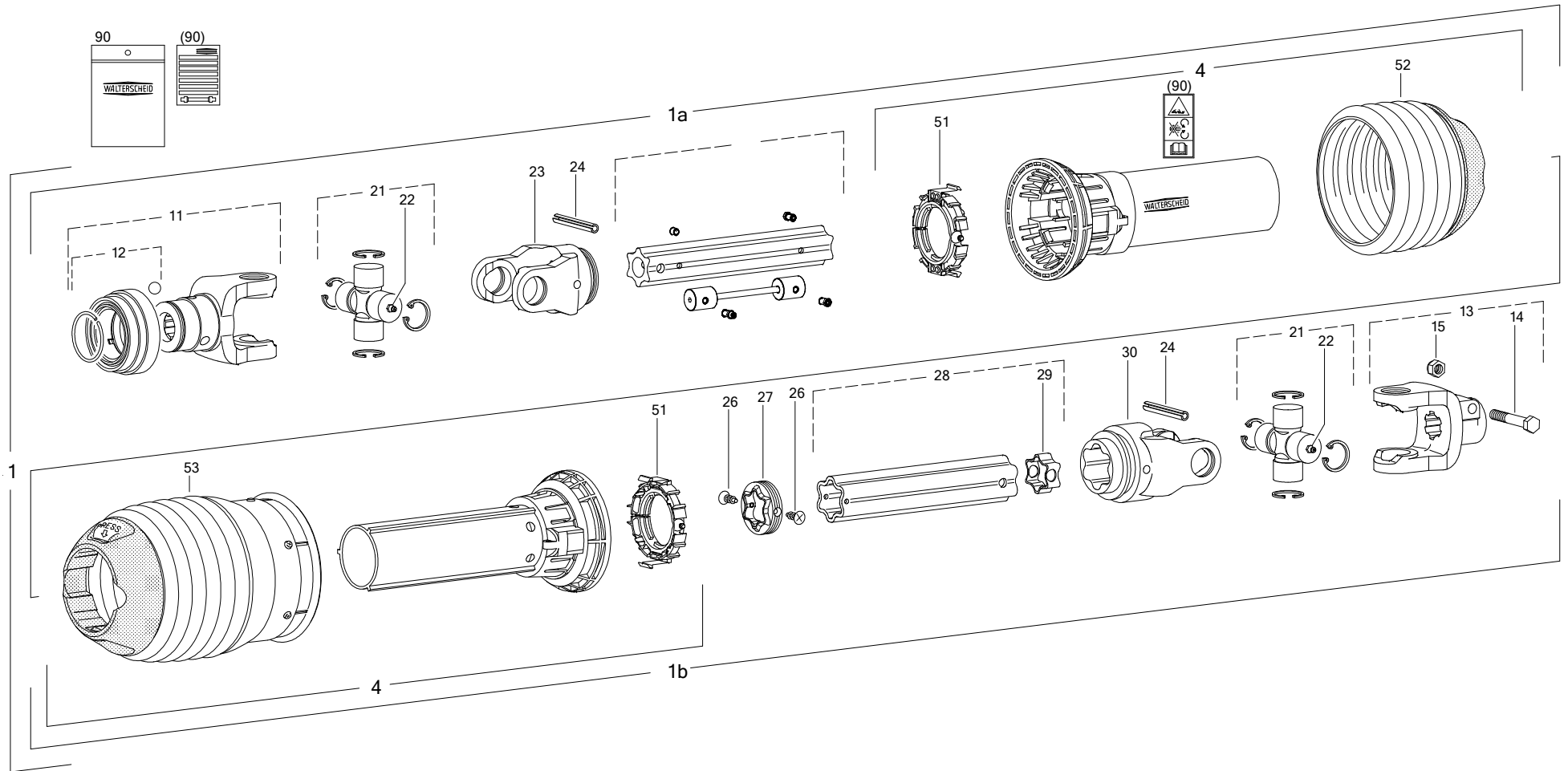
---

This page is intentionally left blank

McHale PRO GLIDE B9600

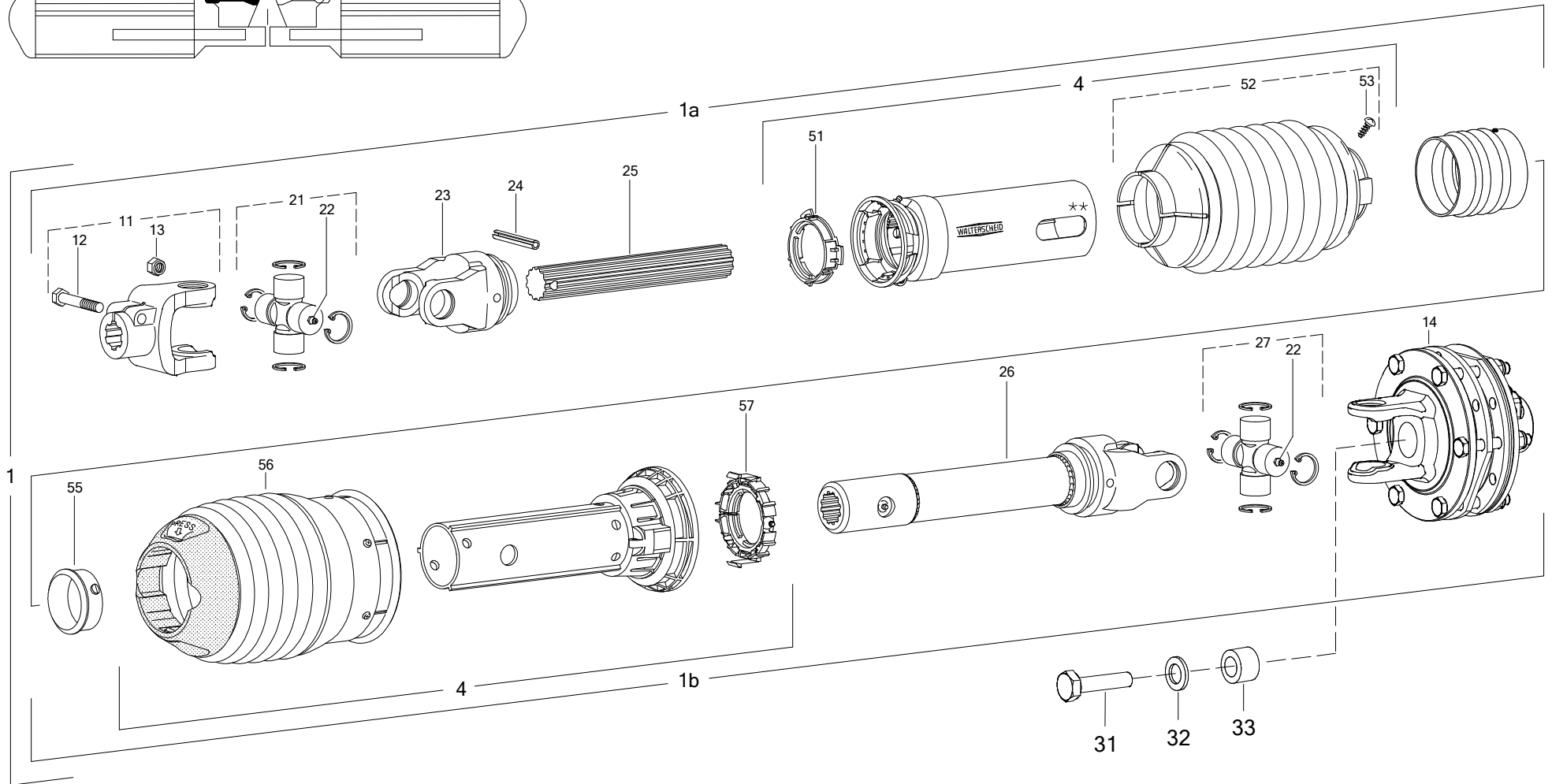
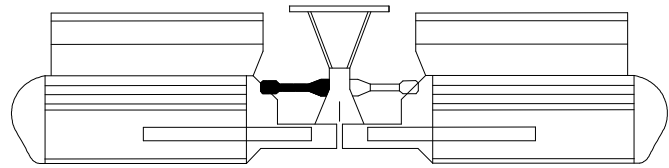
---

# PTO shaft primary (1140)



No.	Part No	Description	Qty
1	CMT00399	PTO SHAFT BUTTERFLY MOWER MAINDRIVE <i>COMPLETE PTO SHAFT ASM (COMPRISES 1a &amp; 1b)</i>	1
4	CGD00432	PTO GUARD PRIMARY SHAFT MOWERS <i>INNER &amp; OUTER GUARDS</i>	1
11	CMT00679	YOKE QD COMP 2500 6 SPLINE 1 3/8 <i>SUITABLE FOR TRACTOR PTO 6 SPLINE 1 3/8 STUBSHAFT ONLY</i>	1
11	CMT00663	YOKE QD COMP 2500 21 SPLINE 1 3/8 <i>SUITABLE FOR TRACTOR PTO 21 SPLINE 1 3/8 STUBSHAFT ONLY</i>	1
11	CMT00680	YOKE QD COMP 2500 20 SPLINE 1 3/4 <i>SUITABLE FOR TRACTOR PTO 20 SPLINE 1 3/4 STUBSHAFT ONLY</i>	1
12	CMT00436	LOCK COMPLETE LONG QS TYPE C	1
13	CMT00678	YOKE CLAMP COMP AGKF2500 6 SPLINE 1 3/8	1
14	CFA00928	BOLT M12X75 8.8 Z/P DIN931	1
15	CFA00124	NUT M12 NYLOC	1
21	CMT00240	UNIVERSAL JOINT PTO 2500 P	2
22	CFA00097	GREASE NIPPLE PTO SHAFT	2
23	CMT00450	INBOARD YOKE RG2500-S4 PTO SHAFT	1
24	CFA00871	ROLL PIN 10X90	2
26	CFA01134	SCREW 6X14 P400-PG25 PTO SHAFT	2
27	CMT00440	SEALING RING OUTER PROFILE S5 P400 PTO	1
28	CMT00441	PROFILE TUBE S5H 1000 PTO SHAFT P400	1
29	CMT00442	PLUG PROFILE S5 PTO SHAFT P400	1
30	CMT00220	YOKE PTO	1
51	CMT00242	PTO GUARD RING	2
52	CMT00241	PTO GUARD CONE	1
53	CMT00444	GUARD CONE PTO SHAFT P400	1
90	CST00132	DECAL WARNING PTO SHAFT	1

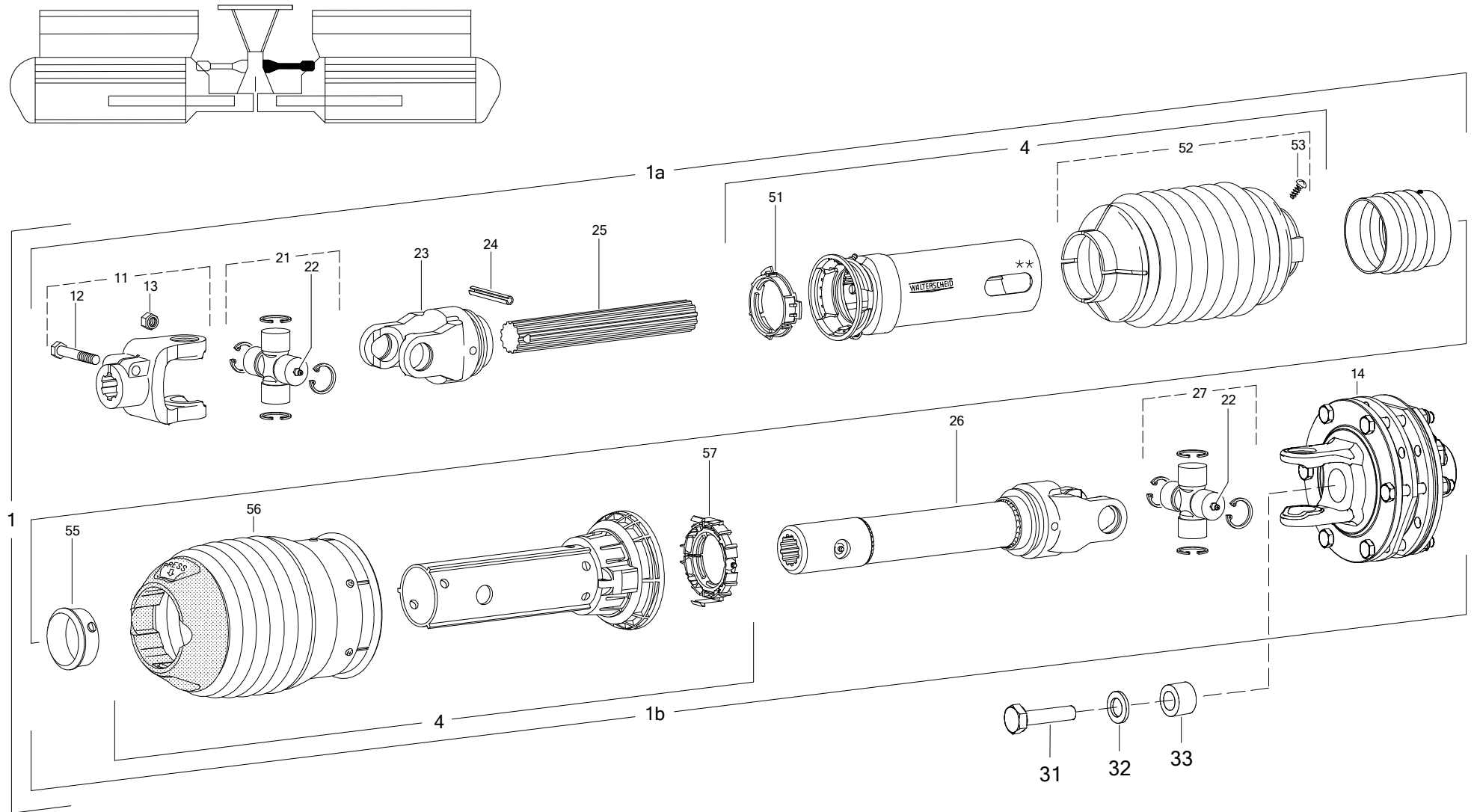
**PTO shaft secondary RH (1438)**





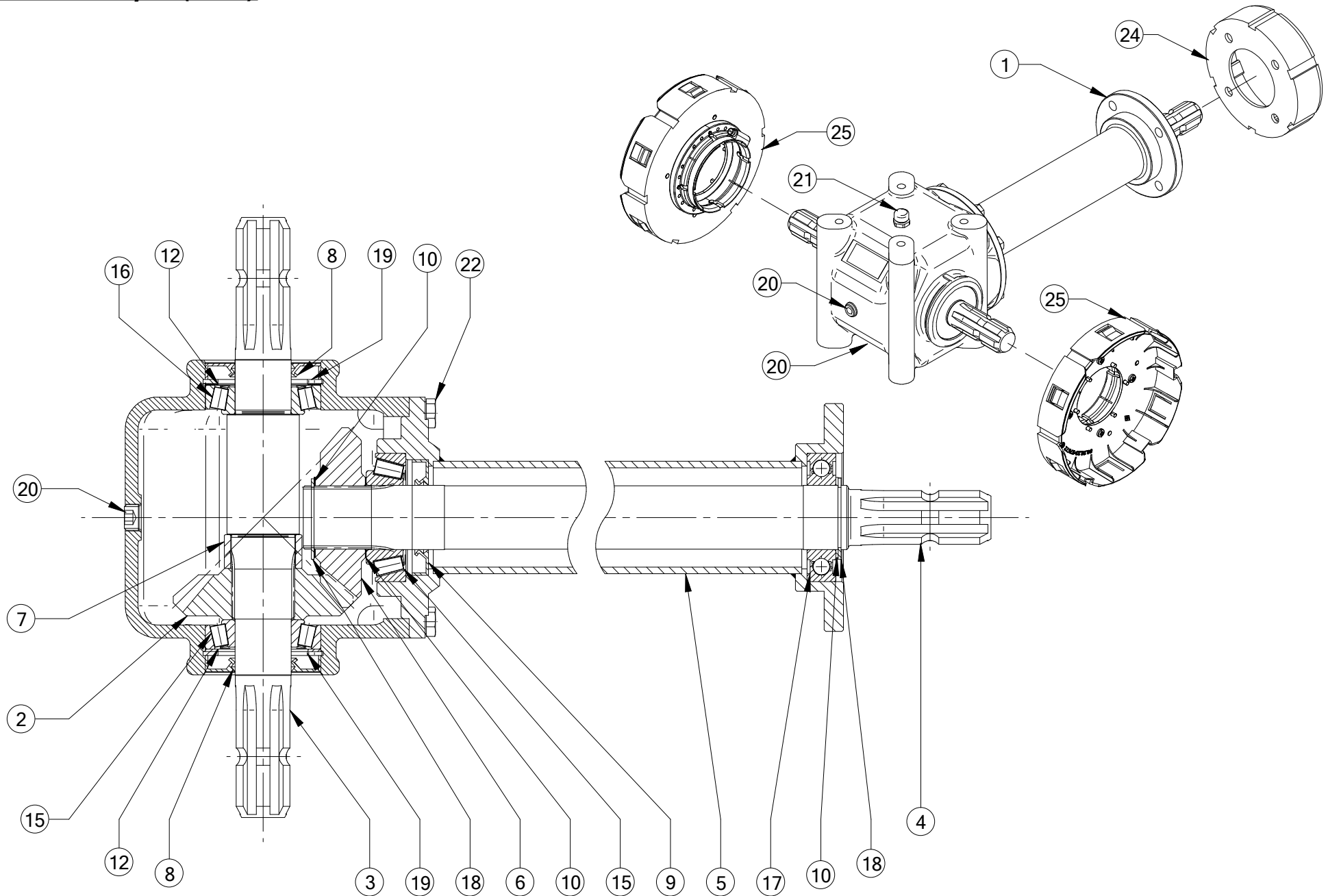
No.	Part No	Description	Qty
1	CMT00530	PTO SHAFT B9600 SECONDARY RH <i>COMPLETE PTO SHAFT ASM (COMPRISES 1a &amp; 1b) EXCLUDES ITEMS 31, 32 &amp; 33</i>	1
4	CGD00434	PTO GUARD SECONDARY REAR COMPLETE <i>INNER &amp; OUTER GUARDS (NOTE: GUARD TUBE LENGTH MUST BE SHORTENED BY 20MM TO ALLOW IT TO FIT)</i>	1
11	CMT00678	YOKE CLAMP COMP AGKF2500 6 SPLINE 1 3/8	1
12	CFA00928	BOLT M12X75 8.8 Z/P DIN931	1
13	CFA00124	NUT M12 NYLOC	1
14	CMT00676	CLUTCH FRICTION OVERRUN RH PTO FK904TFR2400	1
14a	CMT00682	CLUTCH KIT WALTERSCHEID B9000 <i>CLUTCH REPAIR KIT (COMPRISES OF 1x DRIVE DISC CMT00683 &amp; 4x WEAR DISCS CMT00684)</i>	1
21	CMT00240	UNIVERSAL JOINT PTO 2500 P	1
22	CFA00097	GREASE NIPPLE PTO SHAFT	2
23	CMT00833	INBOARD YOKE RG2500-40X36(20) PTO SHAFT B9600	1
24	CFA00871	ROLL PIN 10X90	1
25	CMT00834	TUBE PROFILE 40X36(20)H-560 PTO SHAFT B9600	1
26	CMT00835	SHAFT & YOKE ASM 2400-40X36(20) H-533 PTO SHAFT B9600	1
27	CMT00091	UNIVERSAL JOINT PTO CROSS 2400	1
31	CFA00079	BOLT M12X45 Z/P <i>USED TO ATTACH PTO SHAFT TO PTO STUB ON B9600 GEARBOX (MUST ORDER SEPARATELY)</i>	1
32	CFA00250	WASHER SKM12 <i>USED TO ATTACH PTO SHAFT TO PTO STUB ON B9600 GEARBOX (MUST ORDER SEPARATELY)</i>	1
33	CMH00745	BUSH 12X25X25 <i>USED TO ATTACH PTO SHAFT TO PTO STUB ON B9600 GEARBOX (MUST ORDER SEPARATELY)</i>	1
51	CMT00095	BEARING RING SMALL FUSION PTO	1
52	CMT00454	GUARD CONE RIBBED PK500-400 PTO SHAFT	1
53	CFA00630	SCREW M4X10 FUSION PTO	2
55	CMT00456	BEARING RING PK500-400 PTO SHAFT	1
56	CMT00457	CONE ADAPTOR 367MM PK500-400 PTO	1
57	CMT00242	PTO GUARD RING	1
90	CST00132	DECAL WARNING PTO SHAFT <i>NOT SHOWN</i>	1

# PTO shaft secondary LH (1439)



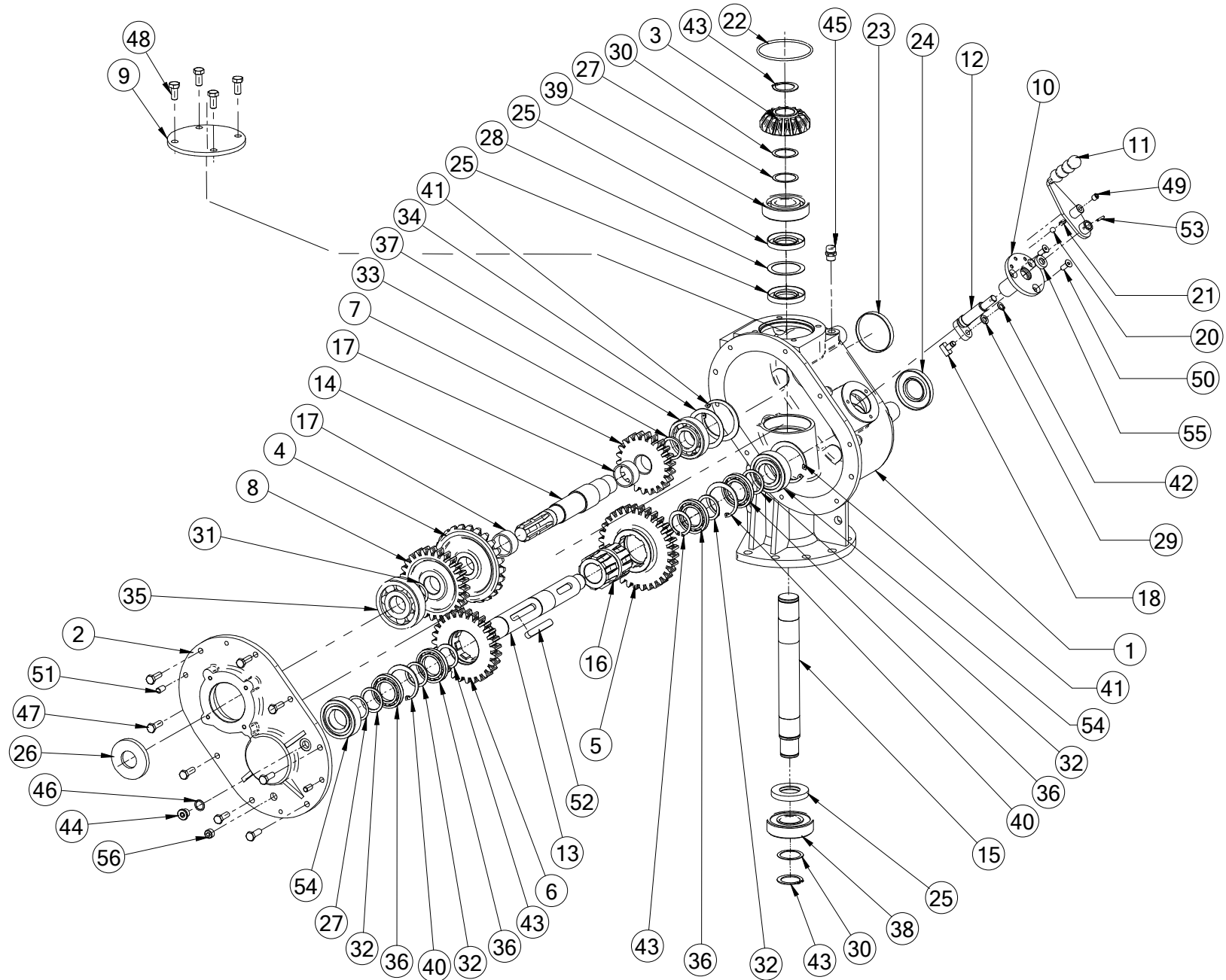
No.	Part No	Description	Qty
1	CMT00531	PTO SHAFT B9600 SECONDARY LH <i>COMPLETE PTO SHAFT ASM (COMPRISES 1a &amp; 1b) EXCLUDES ITEMS 31, 32 &amp; 33</i>	1
4	CGD00434	PTO GUARD SECONDARY REAR COMPLETE <i>INNER &amp; OUTER GUARDS (NOTE: GUARD TUBE LENGTH MUST BE SHORTENED BY 20MM TO ALLOW IT TO FIT)</i>	1
11	CMT00678	YOKE CLAMP COMP AGKF2500 6 SPLINE 1 3/8	1
12	CFA00928	BOLT M12X75 8.8 Z/P DIN931	1
13	CFA00124	NUT M12 NYLOC	1
14	CMT00677	CLUTCH FRICTION OVERRUN LH PTO FK904TFL2400	1
14a	CMT00682	CLUTCH KIT WALTERSCHEID B9000 <i>CLUTCH REPAIR KIT (COMPRISES OF 1x DRIVE DISC CMT00683 &amp; 4x WEAR DISCS CMT00684)</i>	1
21	CMT00240	UNIVERSAL JOINT PTO 2500 P	1
22	CFA00097	GREASE NIPPLE PTO SHAFT	2
23	CMT00833	INBOARD YOKE RG2500-40X36(20) PTO SHAFT B9600	1
24	CFA00871	ROLL PIN 10X90	1
25	CMT00834	TUBE PROFILE 40X36(20)H-560 PTO SHAFT B9600	1
26	CMT00835	SHAFT & YOKE ASM 2400-40X36(20) H-533 PTO SHAFT B9600	1
27	CMT00091	UNIVERSAL JOINT PTO CROSS 2400	1
31	CFA00079	BOLT M12X45 Z/P <i>USED TO ATTACH PTO SHAFT TO PTO STUB ON B9600 GEARBOX (MUST ORDER SEPARATELY)</i>	1
32	CFA00250	WASHER SKM12 <i>USED TO ATTACH PTO SHAFT TO PTO STUB ON B9600 GEARBOX (MUST ORDER SEPARATELY)</i>	1
33	CMH00745	BUSH 12X25X25 <i>USED TO ATTACH PTO SHAFT TO PTO STUB ON B9600 GEARBOX (MUST ORDER SEPARATELY)</i>	1
51	CMT00095	BEARING RING SMALL FUSION PTO	1
52	CMT00454	GUARD CONE RIBBED PK500-400 PTO SHAFT	1
53	CFA00630	SCREW M4X10 FUSION PTO	2
55	CMT00456	BEARING RING PK500-400 PTO SHAFT	1
56	CMT00457	CONE ADAPTOR 367MM PK500-400 PTO	1
57	CMT00242	PTO GUARD RING	1
90	CST00132	DECAL WARNING PTO SHAFT <i>NOT SHOWN</i>	1

# Gearbox input (1111)



No.	Part No	Description	Qty
1	CMT00412	GEARBOX MOWER INPUT B9000 <i>COMPLETE GEARBOX ASSEMBLY (DOES NOT INCLUDE ITEMS 24 &amp; 25)</i>	1
2	CMH03072	GEAR BEVEL Z21	1
3	CMT00477	OUTPUT SHAFT CMT00412 GEARBOX	1
4	CMH03067	SHAFT LONG <i>REPLACES CMT00553 SHAFT</i>	1
5	CMT00554	EXTENSION HOUSING CMT00412	1
6	CMH03073	GEAR BEVEL Z21 PINION	1
7	CMT00555	SPACER SLEEVE	1
8	CSE00633	OIL SEAL RADIAL 40X80X10	2
9	CSE00839	SEAL OIL AS 40X72X10 DIN 3760	1
10	CFA01230	SHIM 40X50X0.5 DIN 988	3
12	CFA01226	SHIM 63X80X0.5 DIN 988	2
15	CBR00373	BEARING TAPER 32208 (40X80X24.75)	2
16	CBR00372	BEARING TAPER 30208 (40X80X19.75)	1
17	CBR00037	BEARING 6208 2RS1 DIN 625	1
18	CFA00551	CIRCLIP 40MM EXTERNAL DIN 471	2
19	CFA00882	CIRCLIP 80MM INTERNAL DIN 472	2
20	CFA01222	PLUG 3/8 TAPER DIN 906	2
21	CMT00478	3/8" BREATHER MODEL 33A <i>FILLER BREATHER PLUG</i>	1
22	CFA00311	SETSCREW M10X35 Z/P	8
24	CMT00394	PTO SHAFT MOWERBED GUARD SEC DRIVE	1
25	CMT00395	PTO SHAFT GEARBOX ADAPTOR RING	2

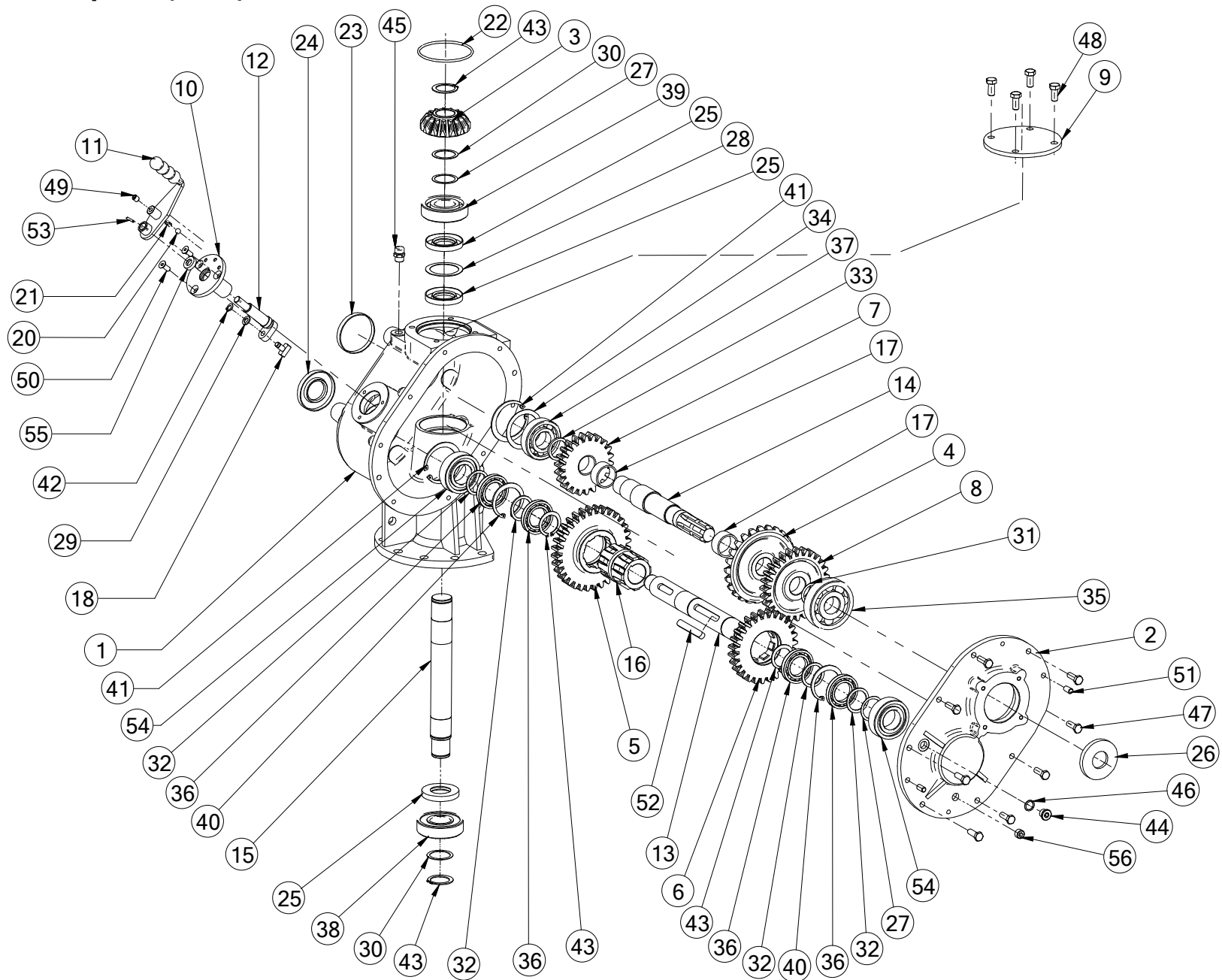
# Gearbox RH 2 speed (1102)



No.	Part No	Description	Qty
1	CMT00361	CONDITIONER GEARBOX FRONT MOWER 2 SPD <i>USED ON F3100 FRONT MOWER ONLY</i>	1
1	CMT00380	GEARBOX REAR MWR 2 SPD CONDR <i>USED ON R3100/B9000 REAR MOWERS ONLY</i>	1
2	CMT00533	GEARBOX COVER PLATE	1
3	CMH03058	GEAR BEVEL Z15	1
4	CMH03059	GEAR BEVEL Z25	1
5	CMH03060	GEAR SPUR Z32	1
6	CMH03061	GEAR SPUR Z27	1
7	CMH03062	GEAR SPUR Z22	1
8	CMH03063	GEAR SPUR Z27	1
9	CMH03064	GEARBOX LID <i>USED ON R3100/B9000 MODELS ONLY</i>	1
10	CMT00534	GEARBOX SELECTOR COVER ASSY	1
11	CMT00535	GEARBOX SELECTOR HANDLE ASSY	1
12	CTP00583	STUBSHAFT GEAR SELECTOR	1
13	CMT00536	SHAFT CONDITIONER OUTPUT	1
14	CMT00415	SHAFT PTO INPUT GEARBOX R3100 <i>USED ON R3100/B9000 GEARBOX CMT00380 ONLY</i>	1
14	CMT00544	SHAFT IDLE GEARBOX <i>USED ON F3100 GEARBOX CMT00361 ONLY</i>	1
15	CMT00537	SHAFT OUTPUT GEARBOX	1
16	CMT00538	SLIDING SELECTOR SLEEVE	1
17	CMT00539	SPACER SLEEVE	2
18	CMT00540	SELECTOR FORK/KEY	1
20	CTP00755	10MM BEARING BALL	1
21	CSG00328	SPRING COMPRESSION	1
22	CSE00838	O-RING 100X4	1
23	CSE00629	CAP SEAL CORE PLUG 80X10	1
24	CSE00633	OIL SEAL RADIAL 40X80X10	1
25	CSE00839	SEAL OIL AS 40X72X10 DIN 3760	3
26	CSE00132	SEAL RADIAL 35X80X10 DIN 3760 <i>USED ON R3100/B9000 GEARBOX CMT00380 ONLY</i>	1
27	CFA01230	SHIM 40X50X0.5	2
28	CFA01211	SHIM 56X72X1 DIN 988	1
29	CFA01212	SHIM 10X16X2 DIN988	1
30	CFA00265	SHIM 40X50X1.0 DIN988	2
31	CFA02259	SHIM 35X45X.5 DIN988	1
32	CFA01213	SHIM SS 40X50X2.5 DIN988	4
33	CMT00541	GEAR SPACER	1
34	CFA01214	SHIM 63X80X1 DIN988	1
35	CBR00386	BEARING 6407	1
36	CBR00387	BEARING 16008	4
37	CBR00335	BEARING GROOVE 6307 2RS NR SKF	1
38	CBR00286	BEARING 6308 2RS	1
39	CBR00331	BEARING 6308	1
40	CFA01215	CIRCLIP INTERNAL W 68	2
41	CFA00882	CIRCLIP 80MM INTERNAL DIN 472	2
42	CFA00499	CIRCLIP 10MM EXTERNAL	1
43	CFA00551	CIRCLIP 40MM EXTERNAL DIN 471	4

44	CFA01216	PLUG G3/8 DIN908	1
45	CMT00478	PLUG 3/8" BREATHER MODEL 33A	1
45a	CMT00566	3/8 BREATHER 40MM TUBE <i>EXTENSION BREATHER TUBE</i>	1
46	CFA01217	WASHER ALUMINIUM 1.5X17X22	1
47	CFA00025	SETSCREW M10X30 Z/P	8
48	CFA00031	SETSCREW M12X25 Z/P <i>USED TO ATTACH GEARBOX LID ON R3100/B9000 GEARBOX CMT00380 ONLY</i>	4
48	CFA00032	SETSCREW M12X30 Z/P <i>USED TO ATTACH INPUT DRIVE GEARBOX ON F3100 GEARBOX CMT00361 ONLY</i>	4
49	CFA01218	GRUBSCREW M10X10 8.8 DIN913	1
50	CFA00765	SETSCREW M8X20 CSK Z/P DIN7991	3
51	CFA01219	CYLINDRICAL PIN 10M6X20	2
52	CFA01220	KEY A 12X8X86	1
53	CFA01221	ROLL PIN 4X22	1
54	CBR00388	BEARING 4208	2
55	CSE00840	SEAL RADIAL SHAFT AS 14X26X7	1
56	CFA01222	PLUG 3/8 TAPER DIN 906	1

# **Gearbox LH 2 speed (1108)**

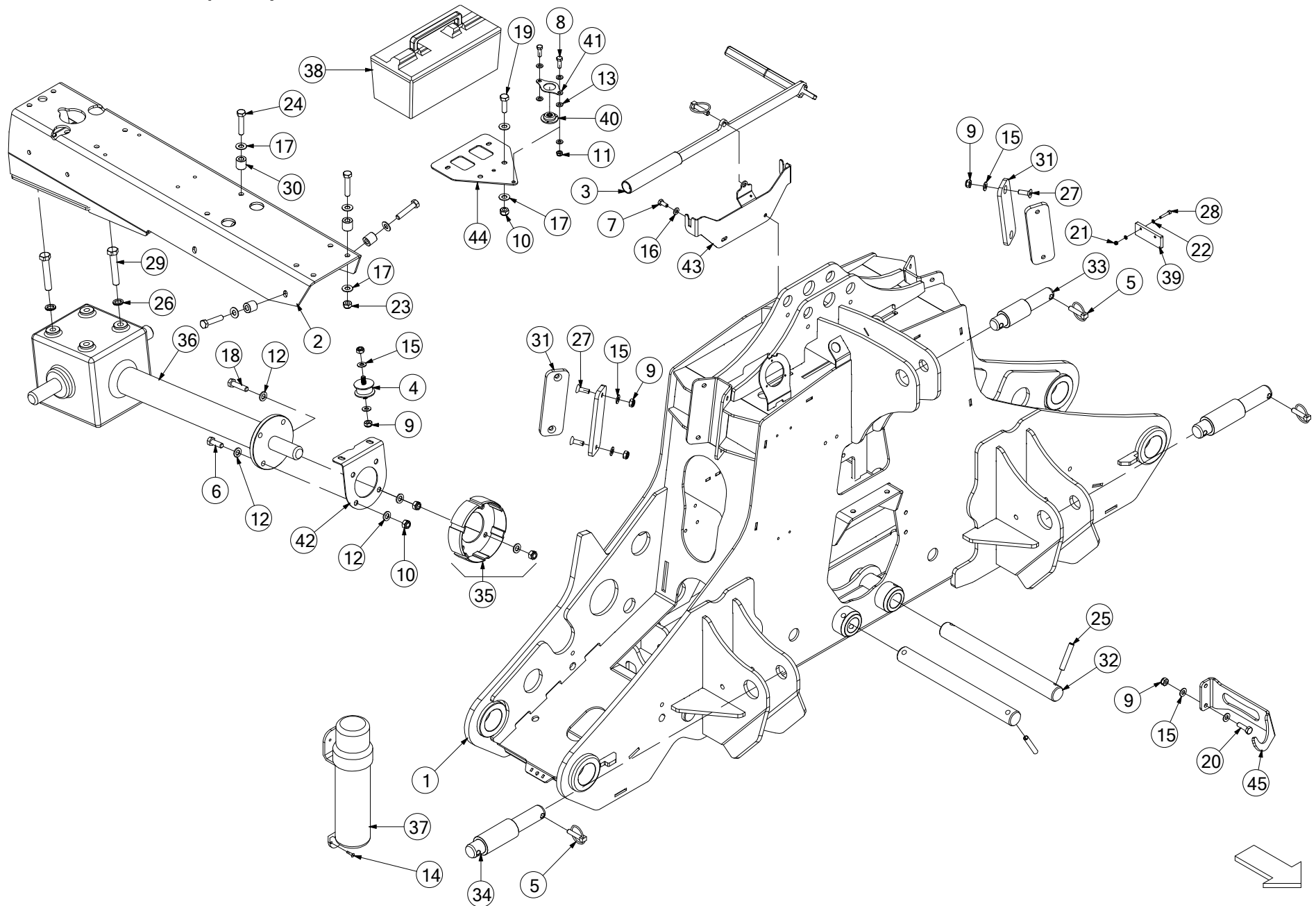




No.	Part No	Description	Qty
1	CMT00385	GEARBOX MOWER 2 SPEED COND DRIVE B9000	1
<i>USED ON B9000 LH MOWER ONLY</i>			
2	CMT00533	GEARBOX COVER PLATE	1
3	CMH03058	GEAR BEVEL Z15	1
4	CMH03059	GEAR BEVEL Z25	1
5	CMH03060	GEAR SPUR Z32	1
6	CMH03061	GEAR SPUR Z27	1
7	CMH03062	GEAR SPUR Z22	1
8	CMH03063	GEAR SPUR Z27	1
9	CMH03064	GEARBOX LID	1
<i>USED ON R3100/B9000 MODELS ONLY</i>			
10	CMT00534	GEARBOX SELECTOR COVER ASSY	1
11	CMT00535	GEARBOX SELECTOR HANDLE ASSY	1
12	CTP00583	STUBSHAFT GEAR SELECTOR	1
13	CMT00536	SHAFT CONDITIONER OUTPUT	1
14	CMT00415	SHAFT PTO INPUT GEARBOX R3100	1
15	CMT00537	SHAFT OUTPUT GEARBOX	1
16	CMT00538	SLIDING SELECTOR SLEEVE	1
17	CMT00539	SPACER SLEEVE	2
18	CMT00540	SELECTOR FORK/KEY	1
20	CTP00755	10MM BEARING BALL	1
21	CSG00328	SPRING COMPRESSION	1
22	CSE00838	O-RING 100X4	1
23	CSE00629	CAP SEAL CORE PLUG 80X10	1
24	CSE00633	OIL SEAL RADIAL 40X80X10	1
25	CSE00839	SEAL OIL AS 40X72X10 DIN 3760	3
26	CSE00132	SEAL RADIAL 35X80X10 DIN 3760	1
27	CFA01230	SHIM 40X50X0.5	2
28	CFA01211	SHIM 56X72X1 DIN 988	1
29	CFA01212	SHIM 10X16X2 DIN988	1
30	CFA00265	SHIM 40X50X1.0 DIN988	2
31	CFA02259	SHIM 35X45X.5 DIN988	1
32	CFA01213	SHIM SS 40X50X2.5 DIN988	4
33	CMT00541	GEAR SPACER	1
34	CFA01214	SHIM 63X80X1 DIN988	1
35	CBR00386	BEARING 6407	1
36	CBR00387	BEARING 16008	4
37	CBR00335	BEARING GROOVE 6307 2RS NR SKF	1
38	CBR00286	BEARING 6308 2RS	1
39	CBR00331	BEARING 6308	1
40	CFA01215	CIRCLIP INTERNAL W 68	2
41	CFA00882	CIRCLIP 80MM INTERNAL DIN 472	2
42	CFA00499	CIRCLIP 10MM EXTERNAL	1
43	CFA00551	CIRCLIP 40MM EXTERNAL DIN 471	4
44	CFA01216	PLUG G3/8 DIN908	1
45	CMT00478	PLUG 3/8" BREATHER MODEL 33A	1
45a	CMT00566	3/8 BREATHER 40MM TUBE	1
<i>EXTENSION BREATHER TUBE</i>			
46	CFA01217	WASHER ALUMINIUM 1.5X17X22	1

47	CFA00025	SETSCREW M10X30 Z/P	8
48	CFA00031	SETSCREW M12X25 Z/P	4
49	CFA01218	GRUBSCREW M10X10 8.8 DIN913	1
50	CFA00765	SETSCREW M8X20 CSK Z/P DIN7991	3
51	CFA01219	CYLINDRICAL PIN 10M6X20	2
52	CFA01220	KEY A 12X8X86	1
53	CFA01221	ROLL PIN 4X22	1
54	CBR00388	BEARING 4208	2
55	CSE00840	SEAL RADIAL SHAFT AS 14X26X7	1
56	CFA01222	PLUG 3/8 TAPER DIN 906	1

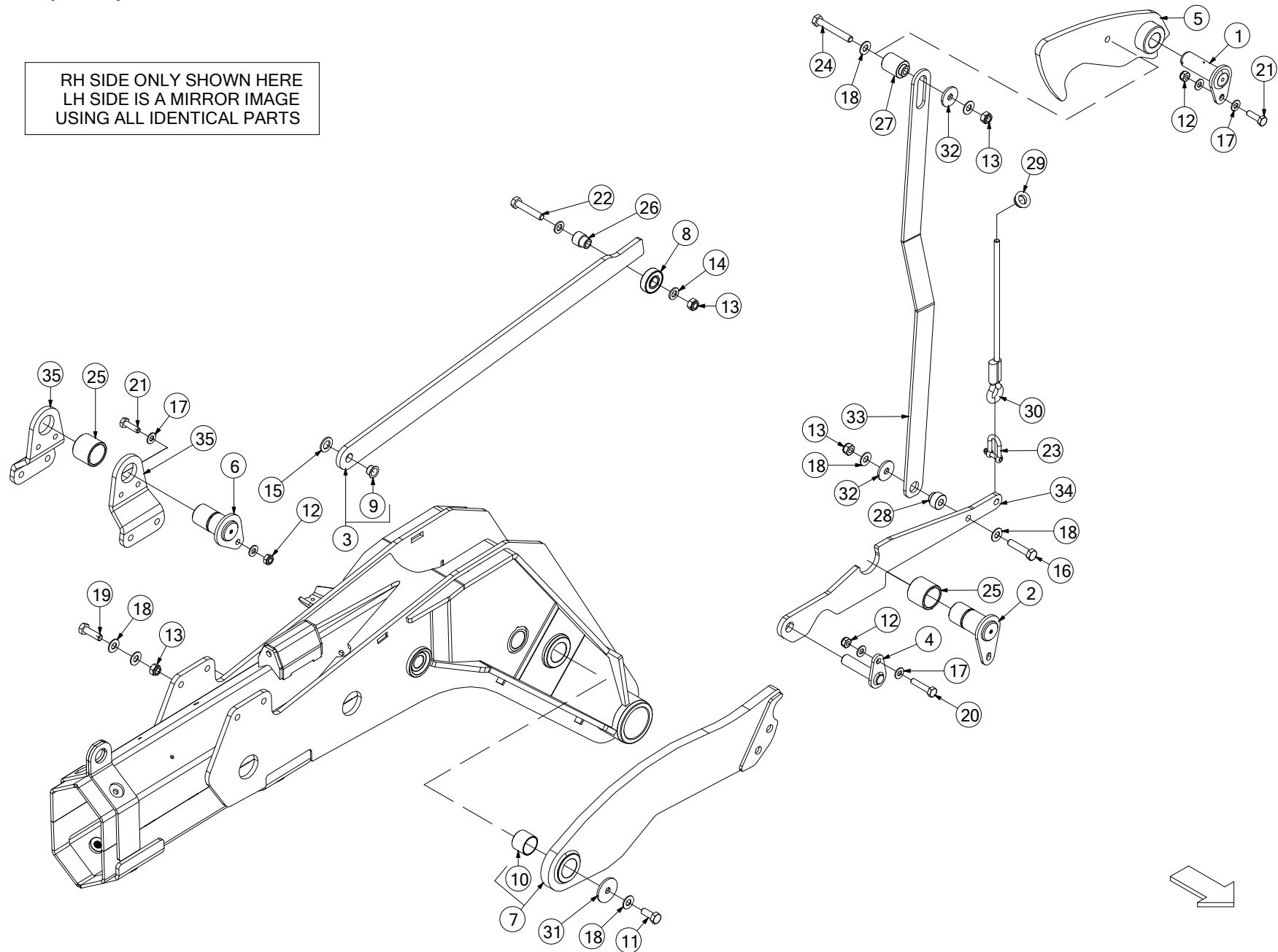
# Headstock frame (1405)



No.	Part No	Description	Qty
1	ACH01750	CHASSIS WELD ASSY B9600 3.4M	1
2	ACH01759	GEARBOX BRACKET B9600 3.4M	1
3	ALA01055	MOWER BLADE RELEASE HANDLE	1
4	CBE00345	RUBBER BUFFER 50X26 M10	2
5	CFA00005	LINCH PIN 10MM	4
6	CFA00033	SETSCREW M12X35 Z/P	2
7	CFA00052	SETSCREW M8X20 Z/P	2
8	CFA00102	SETSCREW M8X25 Z/P	2
9	CFA00123	NUT M10 NYLOC	14
10	CFA00124	NUT M12 NYLOC	7
11	CFA00132	NUT M8 NYLOC Z/P	2
12	CFA00138	WASHER FLAT 12MM Z/P	9
13	CFA00147	WASHER FLAT 8MM Z/P	6
14	CFA00198	POP RIVET 4.8X14MM Z/P	4
15	CFA00201	WASHER FLAT 10 MM Z/P	16
16	CFA00249	WASHER SKM8	2
17	CFA00250	WASHER SKM12	24
18	CFA00270	SETSCREW M12X50 Z/P	2
19	CFA00297	BOLT M12X40 Z/P	2
20	CFA00311	SETSCREW M10X35 Z/P	2
21	CFA00321	NUT M5 NYLOC	2
22	CFA00337	WASHER FLAT 5MM Z/P	4
23	CFA00417	NUT M12X1.5 NYLOC FINE THREAD	10
24	CFA00586	BOLT M12X60X10.9 FINE THREAD ZP	10
25	CFA00665	ROLL PIN 12X70	4
26	CFA00783	WASHER NL16 NORD-LOCK	4
27	CFA00908	SETSCREW M10X25 CSK HEX Z/P	8
28	CFA00913	BOLT M5X30 SOC CAP ZP	2
29	CFA01198	BOLT M16X90 Z/P 10.9 DIN 931	4
30	CMH00745	BUSH 12X25X25	10
31	CMH01712	10MM WEAR PLATE TRANSPORT LATCH	4
32	CMH01980	SHAFT 40X390 Z/P	2
33	CMH01988	PIN CAT 3/4 UPPER LINK	1
34	CMH01989	PIN CAT 3/4 LOWER LINK	2
35	CMT00394	PTO SHAFT MOWERBED GUARD SEC DRIVE	1
<i>INCLUDES 2x ITEMS 10 &amp; 12</i>			
36	CMT00412	GEARBOX MOWER 742MM LONG	1
37	CPL00221	MACHINE MANUAL HOLDER CIRCULAR	1
38	CPL00222	TOOL BOX PLASTIC (SERKO)	1
39	CTP00598	BALL INCLINOMETER +/-10 DEG	1
40	CTP00599	CIRCULAR LEVEL DIA 43MM	1
41	CZB00403	2MM INCLIOMETER BRACKET MOWER	1
42	CZC05307	3MM B9000 GEARBOX FLANGE BRKT	1
43	CZC05346	3MM TOOL BOX + HANDLE BRKT	1
44	CZC05983	3MM TOOL BOX MOUNTING BRACKET	1
45	CZF07115	6MM PTO STAND MOWER	1

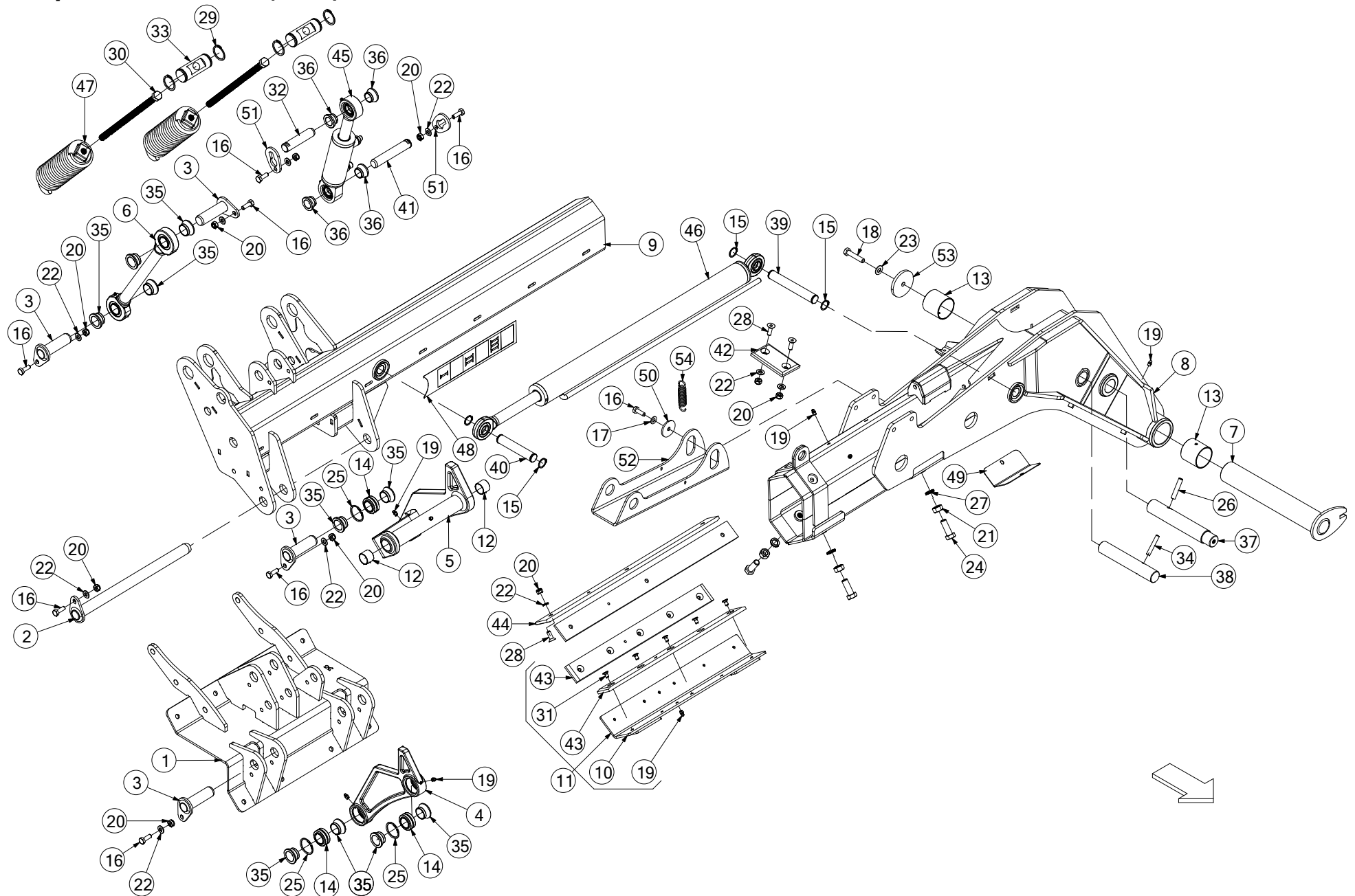
# Latches (1406)

RH SIDE ONLY SHOWN HERE  
 LH SIDE IS A MIRROR IMAGE  
 USING ALL IDENTICAL PARTS



No.	Part No	Description	Qty
1	ALA00034	PIN 991 LIFTARM HINGE Z/P	1
2	ALA01092	PIN 40X95 WELD ASSY	1
3	ALA01095	LINK ARM VALVE PUSH LEVER B9000	1
<i>INCLUDES BUSHING ITEM 9</i>			
4	ALA01098	PIN ASSY 20X90	1
5	ALA01275	TRANSPORT LATCH B9600	1
6	ALA01276	PIN 40X80 WELD ON CAP	1
7	ALA01277	HEADLAND STOP BRACKET B9600 3.4M	1
<i>INCLUDES BUSHING ITEM 10</i>			
8	CBR00020	BEARING 6204 2RS	1
9	CBR00118	BEARING STEPPED PLAS 16X18X12	1
10	CBR02000	BEARING VAR BALER	1
11	CFA00032	SETSCREW M12X30 Z/P	1
12	CFA00123	NUT M10 NYLOC	3
13	CFA00124	NUT M12 NYLOC	7
14	CFA00138	WASHER FLAT 12MM Z/P	2
15	CFA00140	WASHER FLAT 16MM Z/P	1
16	CFA00184	SETSCREW M12X55 Z/P	1
17	CFA00201	WASHER FLAT 10 MM Z/P	6
18	CFA00250	WASHER SKM12	13
19	CFA00297	BOLT M12X40 Z/P	4
20	CFA00310	BOLT M10X50 Z/P	1
21	CFA00311	SETSCREW M10X35 Z/P	2
22	CFA00579	BOLT M12X65 Z/P	1
23	CFA02217	D SHACKLE 0.5T Z/P	1
24	CFA02256	BOLT M12X85 Z/P	1
25	CMH01973	BUSH 40X50X42 Z/P	2
26	CMH01990	BUSH 12X25X30 STEPPED Z/P	1
27	CMH03489	BUSH 35X47 STEPPED 22	1
28	CMH03490	BUSH 12.5X30X22.5 STEPPED 22	1
29	CTP00439	EYELET TWINE GUIDE V6	1
30	CTP00491	PULL ROPE MOWER TRANSPORT LATCH	1
31	CZD03017	4MM L WASHER 12.5X50X4 Z/P	1
32	CZD04329	4MM L WASHER 12.5X40X4	2
33	CZF10768	6MM LEVER ARM TRANSPORT LATCH	1
34	CZH06411	10MM LATCH LEVER PART	1
35	CZH06817	10MM TRANSPORT LATCH PART	2

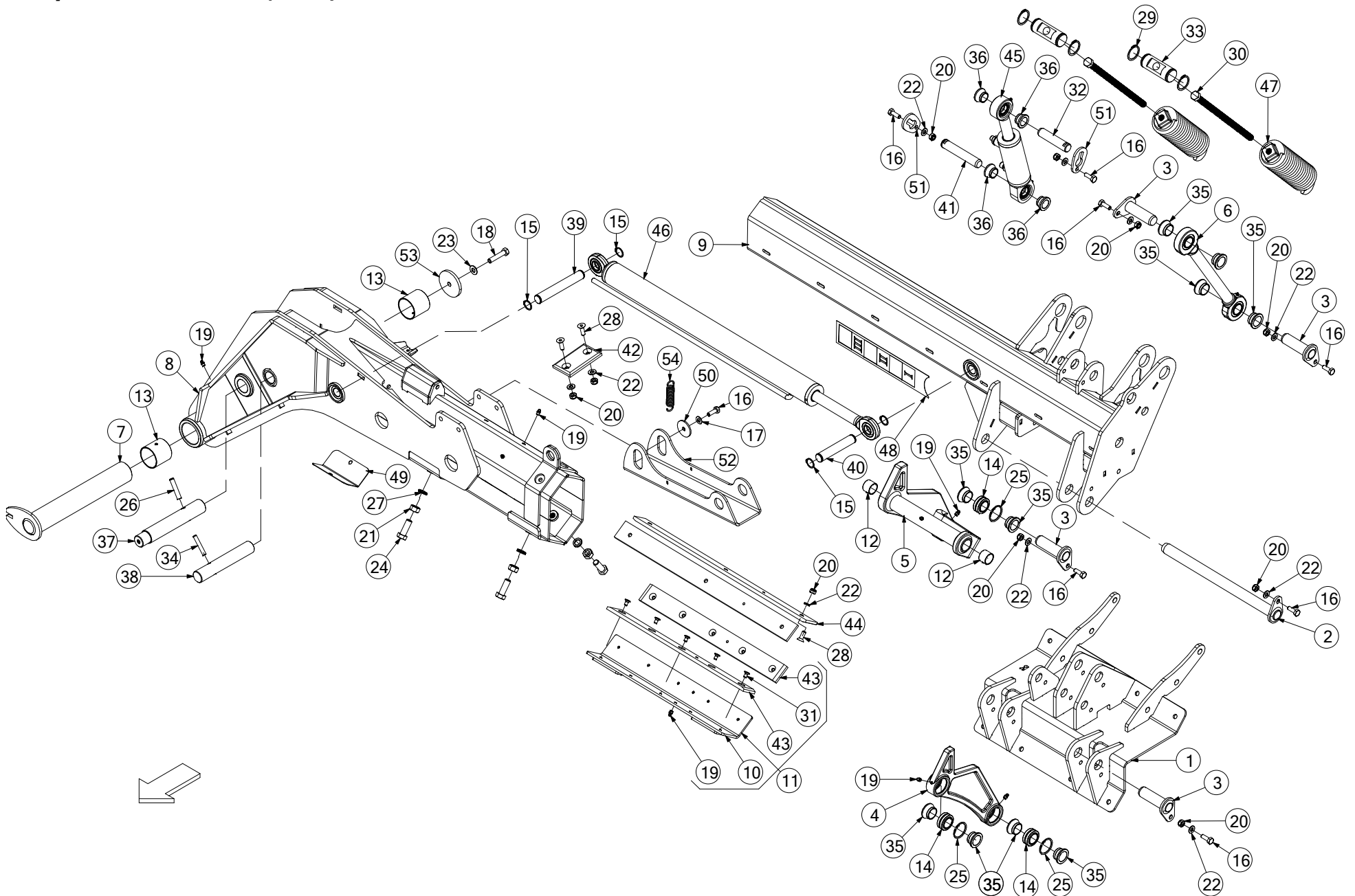
# Suspension Arm RH (1407)



No.	Part No	Description	Qty
0	ALA01086	SUSPENSION ARM COMP LOWER PIVOT R	1
<i>COMPLETE ARM ASSEMBLY</i>			
1	ACH01661	REAR MOWER CONNECTING BRACKET R/H	1
2	ALA00730	PIN 30X445 WELD ON CAP	1
3	ALA00748	PIN 30X105 MOWER SUSPENSION	4
4	ALA00782	LINK ARM SIDE MOUNT MOWER	1
<i>INCLUDES ITEMS 14, 19 &amp; 25</i>			
5	ALA00783	LINK ARM A FRAME MOWER	1
<i>INCLUDES ITEMS 12, 14, 19 &amp; 25</i>			
6	ALA00882	LINK ARM 390MM SIDE MOUNT MOWER	1
7	ALA01094	PIN ASSY 60X381 B9000 3.4M MOWER	1
8	ALA01085	SUSPENSION ARM LOWER PIVOT R/H	1
9	ALA01087	SUSPENSION SLIDER ARM 3.4M	1
10	ALA01066	SLIDE WELD ASSY TELESCOPIC ARM	1
11	ALA01067	TELESCOPIC SLIDE WEAR PLATE COMP ASM	1
<i>INCLUDES ITEMS 10, 19, 31 &amp; 43</i>			
12	CBR00007	BEARING GLACIER PM 3025 DX	2
13	CBR00019	BEARING GLACIER PM 6060	2
14	CBR00127	BEARING SPHERICAL 30MM GE30ES 2RS	3
15	CFA00001	CIRCLIP 25MM EXTERNAL Z/P	4
16	CFA00025	SETSCREW M10X30	9
17	CFA00251	WASHER SKM10	2
18	CFA00076	BOLT M12X60 Z/P	1
19	CFA00118	GREASE NIPPLE M8X1.25 STRAIGHT	9
20	CFA00123	NUT M10 NYLOC	15
21	CFA00127	NUT M16	4
22	CFA00201	WASHER FLAT 10 MM Z/P	15
23	CFA00250	WASHER SKM12	1
24	CFA00282	BOLT M16X45	4
25	CFA00458	47MM INTERNAL CIRCLIP DIN 472	3
26	CFA00504	ROLL PIN 12X60 Z/P	1
27	CFA00783	WASHER NL16 NORD-LOCK	4
28	CFA00908	SETSCREW M10X25 CSK HEX Z/P	8
29	CFA01079	CIRCLIP 40MM EXTERNAL STAINLESS STEEL	4
30	CFA01089	BOLT M16X340 Z/P	2
30a	CFA00782	WASHER PEINER M16 GALV DIN6916	2
<i>WASHER POSITIONED UNDER BOLT HEAD (REPLACES CFA00140)</i>			
31	CFA01206	SETSCREW M8X14 CSK HEX Z/P	10
32	CMH00443	PIN 25 X 110 MILLED FOR CAP Z/P	1
33	CMH01593	PIN 40X105 Z/P	2
34	CFA01208	ROLL PIN 10X60 Z/P	1
35	CMH01641	BUSH 30X45X21 Z/P	10
36	CMH01643	BUSH 25X40X21 Z/P	4
37	CMH01978	PIN 40X247 STEPPED 35	1
38	CMH01984	PIN 35X209 Z/P	1
39	CMH01931	PIN 25X175 Z/P	1
40	CMH01932	PIN 25X136 Z/P	1
41	CMH03303	PIN 25X110 MILLED FOR CAP Z/P	1
<i>(CAN ALSO USE CMH00443)</i>			
42	CPL00264	MOWER SLIDE PLATE HDPE	1

43	CPL00285	WEAR STRIP POM C 540X55X10	2
44	CPL00286	WEAR STRIP POM C 680X55X10	2
45	CRA00801	RAM MOWER SUSPENSION HD	1
45a	CVA00625	FLOATING RESTRICTOR 0.7MM	1
45b	CHY00937	WASHER DOWTY M18	1
45c	CHY01055	ADAPTOR M18MX1/4M	1
46	CRA00811	RAM 55X30 TELESCOPIC ARM B9000	1
47	CSG00298	MOWER REAR SUSPENSION SPRING	2
48	CST00918	DECAL TELESCOPE GRADUATION 300MM	1
49	CZB00388	1.5MM COVER PLATE SUSPENSION ARM	1
50	CZD02479	4MM L WASHER 10.5X50X4 Z/P	2
51	CZF00293	6MM L CAP SHORT FOR 25MM PINS	2
52	CZF10105	6MM MOWER STOP BRACKET PART	1
53	CZG02640	8MM PIN CAP PART B9000 MOWER	1
54	CSG00310	SPRING EXT 3X22X137	1

# Suspension Arm LH (1408)

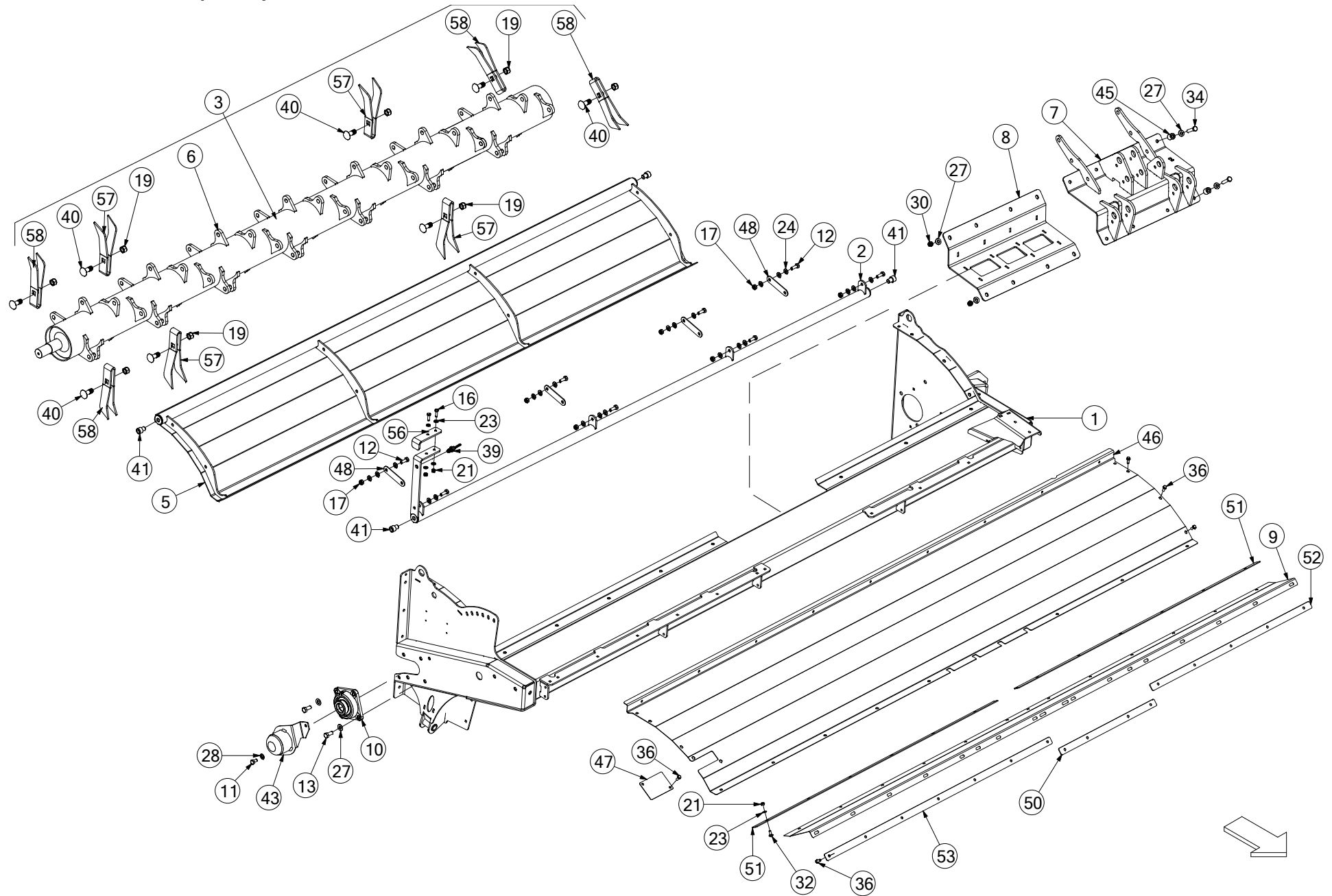




No.	Part No	Description	Qty
0	ALA01091	SUSPENSION ARM TELECOPIIC COMP B9600	1
<i>COMPLETE ARM ASSEMBLY</i>			
1	ACH01661	REAR MOWER CONNECTING BRACKET R/H	1
2	ALA00730	PIN 30X445 WELD ON CAP	1
3	ALA00748	PIN 30X105 MOWER SUSPENSION	4
4	ALA00782	LINK ARM SIDE MOUNT MOWER	1
<i>INCLUDES ITEMS 14, 19 &amp; 25</i>			
5	ALA00783	LINK ARM A FRAME MOWER	1
<i>INCLUDES ITEMS 12, 14, 19 &amp; 25</i>			
6	ALA00882	LINK ARM 390MM SIDE MOUNT MOWER	1
7	ALA01094	PIN ASSY 60X381 B9000 3.4M MOWER	1
8	ALA01089	SUSPENSION ARM LOWER PIVOT L/H	1
9	ALA01090	SUSPENSION SLIDER ARM 3.4M L/H	1
10	ALA01066	SLIDE WELD ASSY TELESCOPIC ARM	1
11	ALA01067	TELESCOPIC SLIDE WEAR PLATE COMP ASM	1
<i>INCLUDES ITEMS 10, 19, 31 &amp; 43</i>			
12	CBR00007	BEARING GLACIER PM 3025 DX	2
13	CBR00019	BEARING GLACIER PM 6060	2
14	CBR00127	BEARING SPHERICAL 30MM GE30ES 2RS	3
15	CFA00001	CIRCLIP 25MM EXTERNAL Z/P	4
16	CFA00025	SETSCREW M10X30	9
17	CFA00251	WASHER SKM10	2
18	CFA00076	BOLT M12X60 Z/P	1
19	CFA00118	GREASE NIPPLE M8X1.25 STRAIGHT	9
20	CFA00123	NUT M10 NYLOC	15
21	CFA00127	NUT M16	4
22	CFA00201	WASHER FLAT 10 MM Z/P	15
23	CFA00250	WASHER SKM12	1
24	CFA00282	BOLT M16X45	4
25	CFA00458	47MM INTERNAL CIRCLIP DIN 472	3
26	CFA00504	ROLL PIN 12X60 Z/P	1
27	CFA00783	WASHER NL16 NORD-LOCK	4
28	CFA00908	SETSCREW M10X25 CSK HEX Z/P	8
29	CFA01079	CIRCLIP 40MM EXTERNAL STAINLESS STEEL	4
30	CFA01089	BOLT M16X340 Z/P	2
30a	CFA00782	WASHER PEINER M16 GALV DIN6916	2
<i>WASHER POSITIONED UNDER BOLT HEAD (REPLACES CFA00140)</i>			
31	CFA01206	SETSCREW M8X14 CSK HEX Z/P	10
32	CMH00443	PIN 25 X 110 MILLED FOR CAP Z/P	1
33	CMH01593	PIN 40X105 Z/P	2
34	CFA01208	ROLL PIN 10X60 Z/P	1
35	CMH01641	BUSH 30X45X21 Z/P	10
36	CMH01643	BUSH 25X40X21 Z/P	4
37	CMH01978	PIN 40X247 STEPPED 35	1
38	CMH01984	PIN 35X209 Z/P	1
39	CMH01931	PIN 25X175 Z/P	1
40	CMH01932	PIN 25X136 Z/P	1
41	CMH03303	PIN 25X110 MILLED FOR CAP Z/P	1
<i>(CAN ALSO USE CMH00443)</i>			
42	CPL00264	MOWER SLIDE PLATE HDPE	1

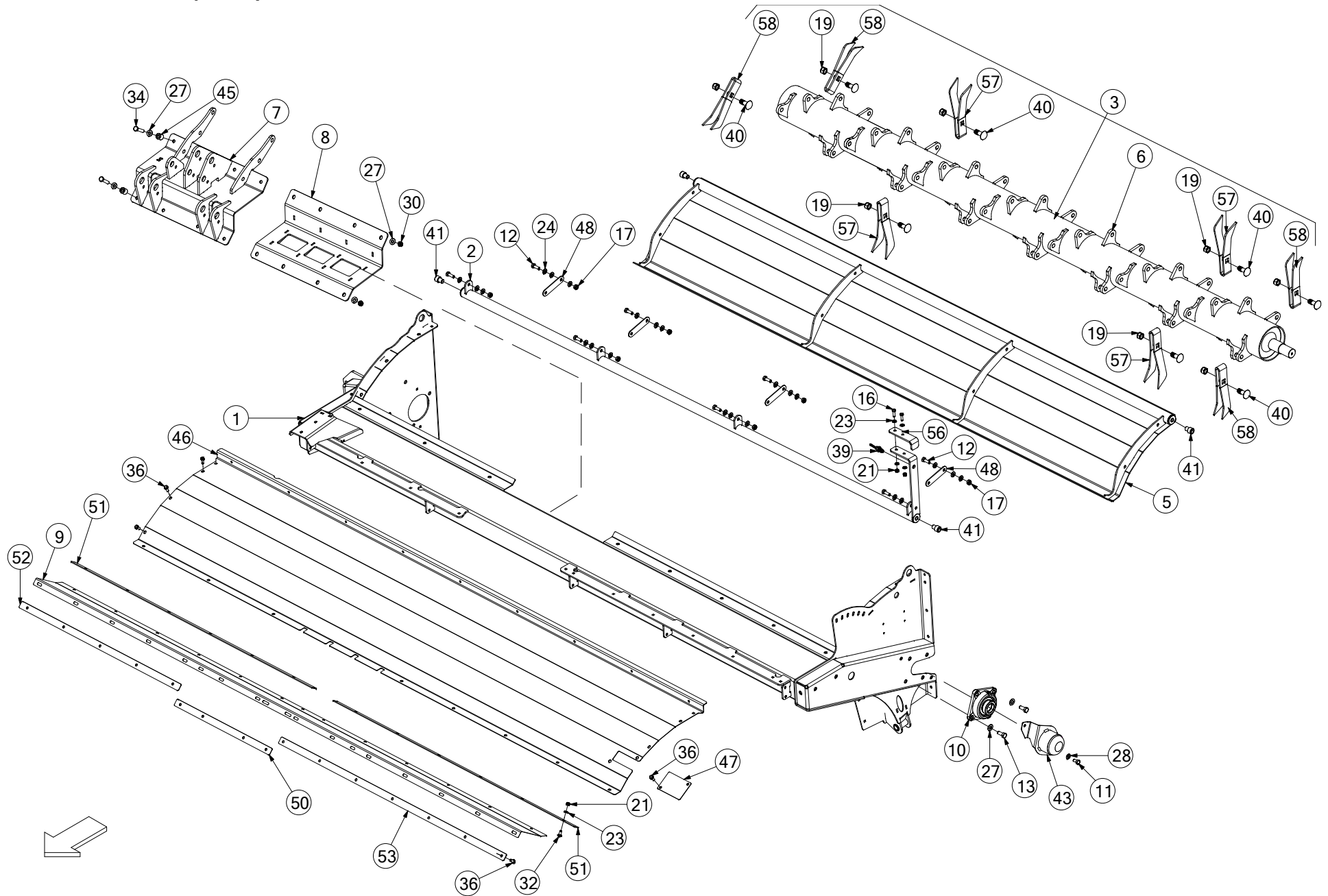
43	CPL00285	WEAR STRIP POM C 540X55X10	2
44	CPL00286	WEAR STRIP POM C 680X55X10	2
45	CRA00801	RAM MOWER SUSPENSION HD	1
45a	CVA00625	FLOATING RESTRICTOR 0.7MM	1
45b	CHY00937	WASHER DOWTY M18	1
45c	CHY01055	ADAPTOR M18MX1/4M	1
46	CRA00811	RAM 55X30 TELESCOPIC ARM B9000	1
47	CSG00298	MOWER REAR SUSPENSION SPRING	2
48	CST00918	DECAL TELESCOPE GRADUATION 300MM	1
49	CZB00388	1.5MM COVER PLATE SUSPENSION ARM	1
50	CZD02479	4MM L WASHER 10.5X50X4 Z/P	2
51	CZF00293	6MM L CAP SHORT FOR 25MM PINS	2
52	CZF10105	6MM MOWER STOP BRACKET PART	1
53	CZG02640	8MM PIN CAP PART B9000 MOWER	1
54	CSG00310	SPRING EXT 3X22X137	1

# Main Frame RH (1409)



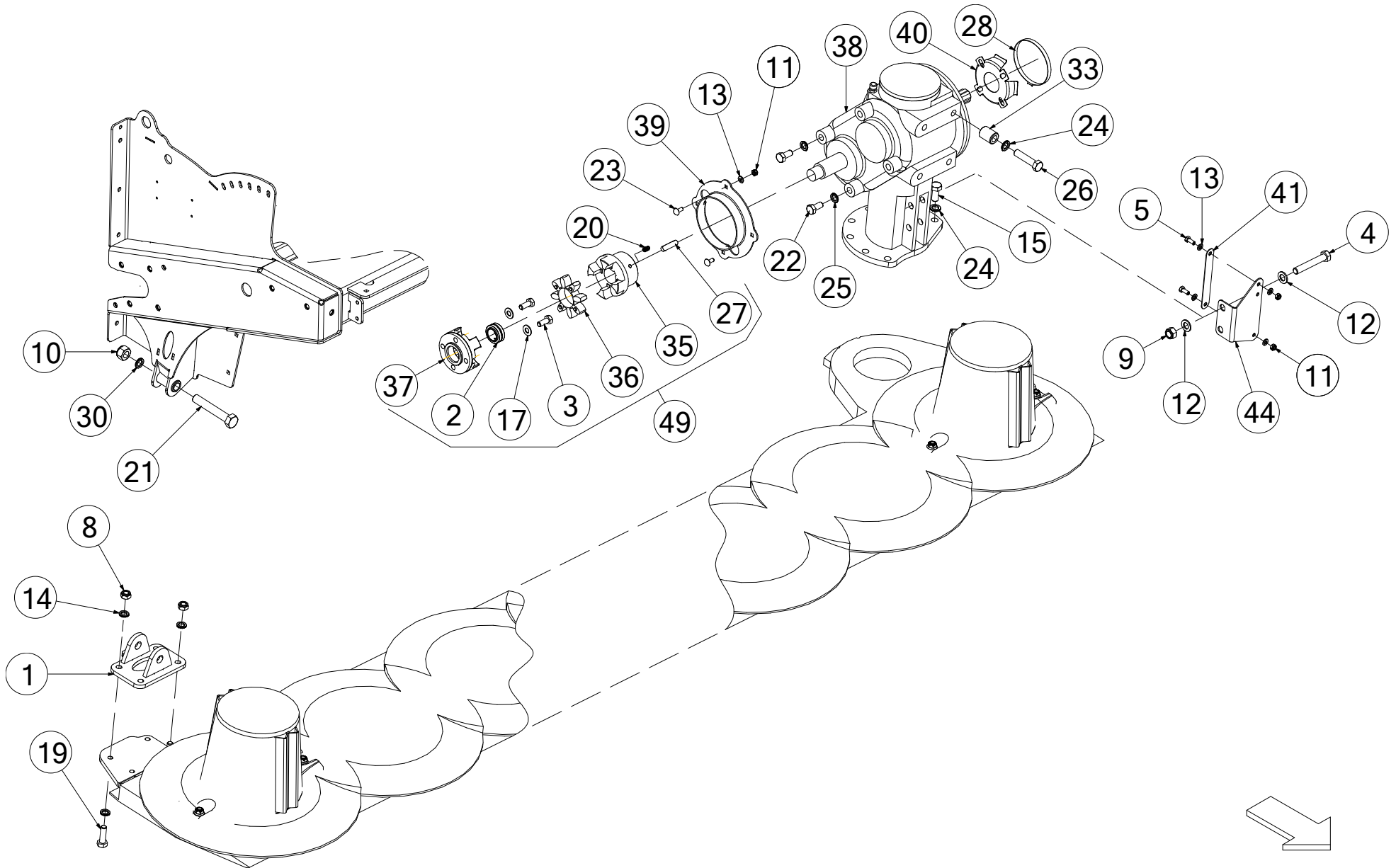
No.	Part No	Description	Qty
1	ACH01728	MOWER CHASSIS 3.4M WELD RH	1
2	ACH03082	MOWER CONDITIONER BAFFLE WELD ASS	1
3	ACH03079	MOWER CONDITIONER 3.4M COMP RH	1
<i>INCLUDES ITEMS 6, 19, 40, 57 &amp; 58</i>			
5	ACH03083	MOWER CONDITIONING HOOD 3.4M	1
6	ACH03291	CONDITIONER WELD ASSY 3.4M	1
7	ACH01661	REAR MOWER CONNECTING BRACKET R/H	1
8	ACH01663	MOWER CONNECTING CLAMP BRACKET	1
9	CBE00408	CURTAIN B9000 3.4M CONDITIONER PLATE	1
10	CBR00126	BEARING SQ FLANGE 40MM ESFE 208 (SNR)	1
11	CFA00023	SETSCREW M10X20 Z/P	2
12	CFA00025	SETSCREW M10X30	9
13	CFA00032	SETSCREW M12X30 Z/P	4
16	CFA00102	SETSCREW M8X25 Z/P	2
17	CFA00123	NUT M10 NYLOC	9
19	CFA00128	NUT M16 NYLOC	56
21	CFA00132	NUT M8 NYLOC Z/P	15
23	CFA00147	WASHER FLAT 8MM Z/P	17
24	CFA00201	WASHER FLAT 10 MM Z/P	24
27	CFA00250	WASHER SKM12	20
28	CFA00251	WASHER SKM10	2
30	CFA00417	NUT M12X1.5 (10) NYLOC DIN 985	8
32	CFA00506	SETSCREW M8X20 CUPHEAD SQ ZP	13
34	CFA00586	BOLT M12X60X10.9 FINETHREAD ZP	8
36	CFA00766	SETSCREW M8X20 FLANGED DIN6921 Z/P	32
39	CFA02300	M12 INDEX PLUNGER	1
40	CFA02305	BOLT CUPHEAD M16X47 12.9	56
41	CFA02306	SETSCREW M16X20 SOC CAP 10.9 Z/P	4
43	CGD00564	CONDITIONER BEARING CAP	1
<i>REPLACES AGD00048</i>			
45	CMH00745	BUSH 12X25X25	8
46	CZB00417	2MM MOWER CONITIONER HOOD 3.4M	1
47	CZB02596	1.5MM L PLATE MOWER COVER	1
48	CZC03826	3MM L CONDITIONER BAFFLE	4
50	CZC05811	3MM CURTAIN RETAINER STRAP	1
51	CZC05812	3MM CURTAIN RETAINER STRAP	2
52	CZC05815	3MM CURTAIN RETAINER STRAP	1
53	CZC05816	3MM CURTAIN RETAINER STRAP	1
56	CZF07383	6MM L MOWER CONDITIONER HANDLE	1
57	CZF08035	6MM L MOWER CONDITIONER TINE	52
<i>REPLACE IN BALANCED PAIRS 180° APART AT ANY POSITION OF THE DRUM (REPLACES CZF07385)</i>			
58	CZF08722	6MM L MOWER CONDITIONER TINE (SHORT)	4
<i>REPLACE IN BALANCED PAIRS 180° APART ON THE DRUM ENDS ONLY (REPLACES CZF07397)</i>			

# Main Frame LH (1410)



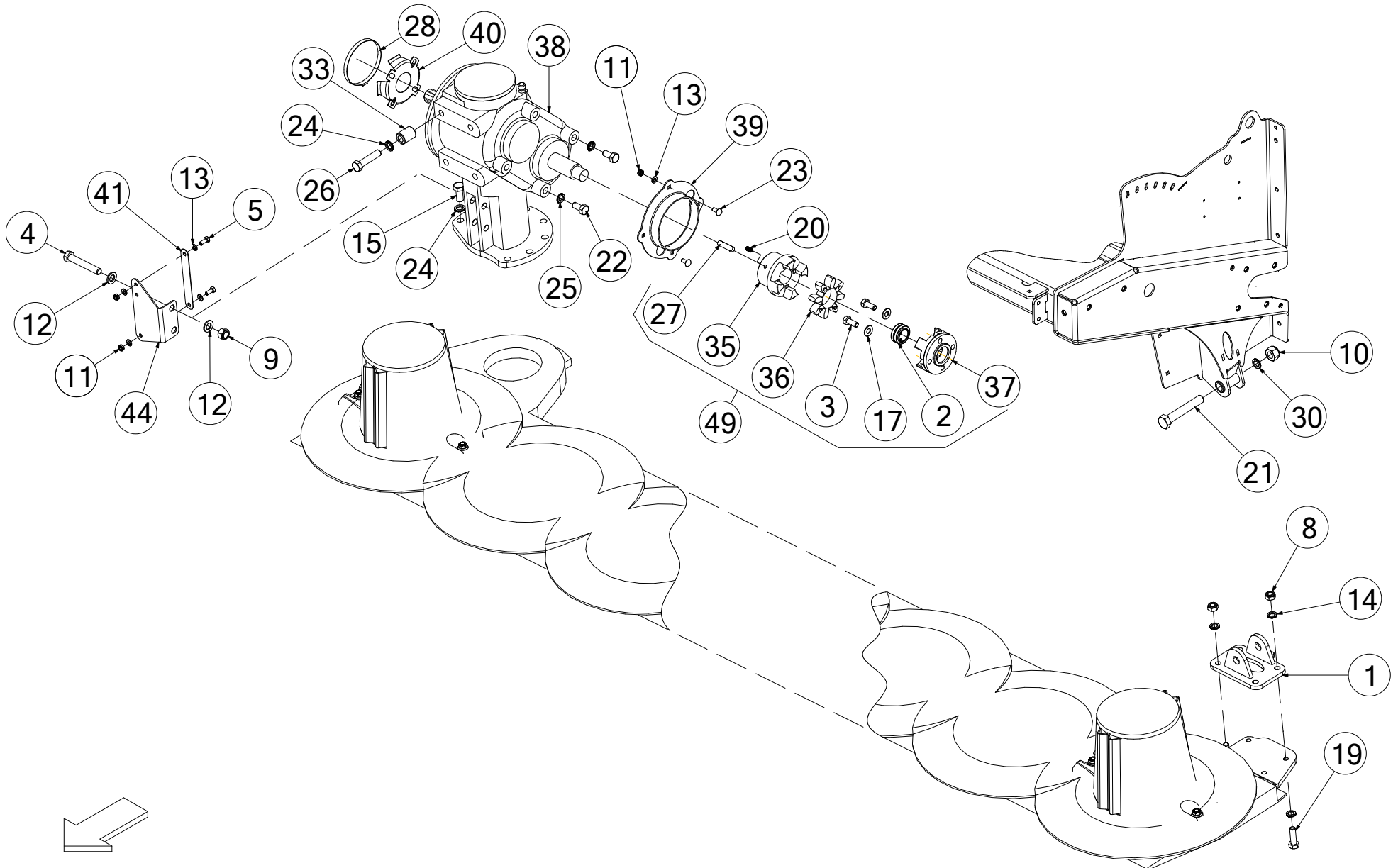
No.	Part No	Description	Qty
1	ACH01730	MOWER CHASSIS 3.4M WELD LH	1
2	ACH03082	MOWER CONDITIONER BAFFLE WELD ASS	1
3	ACH03081	MOWER CONDITIONER 3.4M COMP LH	1
<i>INCLUDES ITEMS 6, 19, 40, 57 &amp; 58</i>			
5	ACH03083	MOWER CONDITIONING HOOD 3.4M	1
6	ACH03291	CONDITIONER WELD ASSY 3.4M	1
7	ACH01662	MOWER CONNECTING BRACKET L/H	1
8	ACH01663	MOWER CONNECTING CLAMP BRACKET	1
9	CBE00408	CURTAIN B9000 3.4M CONDITIONER PLATE	1
10	CBR00126	BEARING SQ FLANGE 40MM ESFE 208 (SNR)	1
11	CFA00023	SETSCREW M10X20 Z/P	2
12	CFA00025	SETSCREW M10X30	9
13	CFA00032	SETSCREW M12X30 Z/P	4
16	CFA00102	SETSCREW M8X25 Z/P	2
17	CFA00123	NUT M10 NYLOC	9
19	CFA00128	NUT M16 NYLOC	56
21	CFA00132	NUT M8 NYLOC Z/P	15
23	CFA00147	WASHER FLAT 8MM Z/P	17
24	CFA00201	WASHER FLAT 10 MM Z/P	24
27	CFA00250	WASHER SKM12	20
28	CFA00251	WASHER SKM10	2
30	CFA00417	NUT M12X1.5 (10) NYLOC DIN 985	8
32	CFA00506	SETSCREW M8X20 CUPHEAD SQ ZP	13
34	CFA00586	BOLT M12X60X10.9 FINETHREAD ZP	8
36	CFA00766	SETSCREW M8X20 FLANGED DIN6921 Z/P	32
39	CFA02300	M12 INDEX PLUNGER	1
40	CFA02305	BOLT CUPHEAD M16X47 12.9	56
41	CFA02306	SETSCREW M16X20 SOC CAP 10.9 Z/P	4
43	CGD00564	CONDITIONER BEARING CAP	1
<i>REPLACES AGD00048</i>			
45	CMH00745	BUSH 12X25X25	8
46	CZB00418	2MM MOWER CONITIONER HOOD 3.4M LH	1
47	CZB02596	1.5MM L PLATE MOWER COVER	1
48	CZC03826	3MM L CONDITIONER BAFFLE	4
50	CZC05811	3MM CURTAIN RETAINER STRAP	1
51	CZC05812	3MM CURTAIN RETAINER STRAP	2
52	CZC05815	3MM CURTAIN RETAINER STRAP	1
53	CZC05816	3MM CURTAIN RETAINER STRAP	1
56	CZF07383	6MM L MOWER CONDITIONER HANDLE	1
57	CZF08035	6MM L MOWER CONDITIONER TINE	52
<i>REPLACE IN BALANCED PAIRS 180° APART AT ANY POSITION OF THE DRUM (REPLACES CZF07385)</i>			
58	CZF08722	6MM L MOWER CONDITIONER TINE (SHORT)	4
<i>REPLACE IN BALANCED PAIRS 180° APART ON THE DRUM ENDS ONLY (REPLACES CZF07397)</i>			

# Drive Couplings RH (1411)



No.	Part No	Description	Qty
1	ACH02838	MOWER CUTERBAR MOUNTING BRACKET	1
2	CBR00127	BEARING SPHERICAL 30MM GE30ES 2RS	1
3	CFA00032	SETSCREW M12X30 Z/P	4
4	CFA00040	BOLT M16X100 Z/P	2
5	CFA00052	SETSCREW M8X20 Z/P	2
8	CFA00126	NUT M14 NYLOC	4
9	CFA00128	NUT M16 NYLOC	2
10	CFA00129	NUT M20 NYLOC	1
11	CFA00132	NUT M8 NYLOC Z/P	4
12	CFA00140	WASHER FLAT 16MM Z/P	4
13	CFA00147	WASHER FLAT 8MM Z/P	6
14	CFA00222	WASHER FLAT 14MM Z/P	8
15	CFA00229	SETSCREW M16X35 Z/P	8
17	CFA00250	WASHER SKM12	4
19	CFA00038	BOLT M14X50 Z/P	4
20	CFA00319	GRUBSCREW M8X20	1
21	CFA00395	BOLT M20X120 Z/P	1
22	CFA00398	SETSCREW M14X30 Z/P	4
23	CFA00506	SETSCREW M8X20 CUPHEAD SQ ZP	2
24	CFA00783	WASHER NL16 NORD-LOCK	13
25	CFA01030	WASHER M14 NORDLOCK	4
26	CFA00739	BOLT M16X70 Z/P	4
27	CFA01076	KEY 12X8X50	1
28	CFA01086	JUBILEE CLIP 110MM-130MM	1
30	CFA02223	WASHER PEINER M20 GALV DIN6916	1
33	CMH01028	BUSH 17X30X39	4
35	CMT00365	COUPLING JAW (STANDARD 48)105 OD	1
36	CMT00366	COUPLING SPIDER 48-98 SHORE	1
37	CMT00367	COUPLING JAW (FLANGE MOUNTING 48)105 OD	1
38	CMT00380	GEARBOX REAR MOWER 2 SPEED	1
39	CTP00725	MOWER CONDITIONER SEAL EXTERNAL	1
40	CTP00585	PTO GUARD 115MM DIA	1
	<i>REPLACES CGD00392</i>		
41	CZB02532	1.5MM L MOWER GUARD	1
44	CZC05585	3MM MOWER GUARD BRKT	1
49	KST00103	COUPLING JAW+SPIDER KIT MOWER	1
	<i>INCLUDES ITEMS 2, 3, 17, 20, 27, 35, 36, 37 &amp; GEARBOX SHAFT SEAL CSE00633</i>		

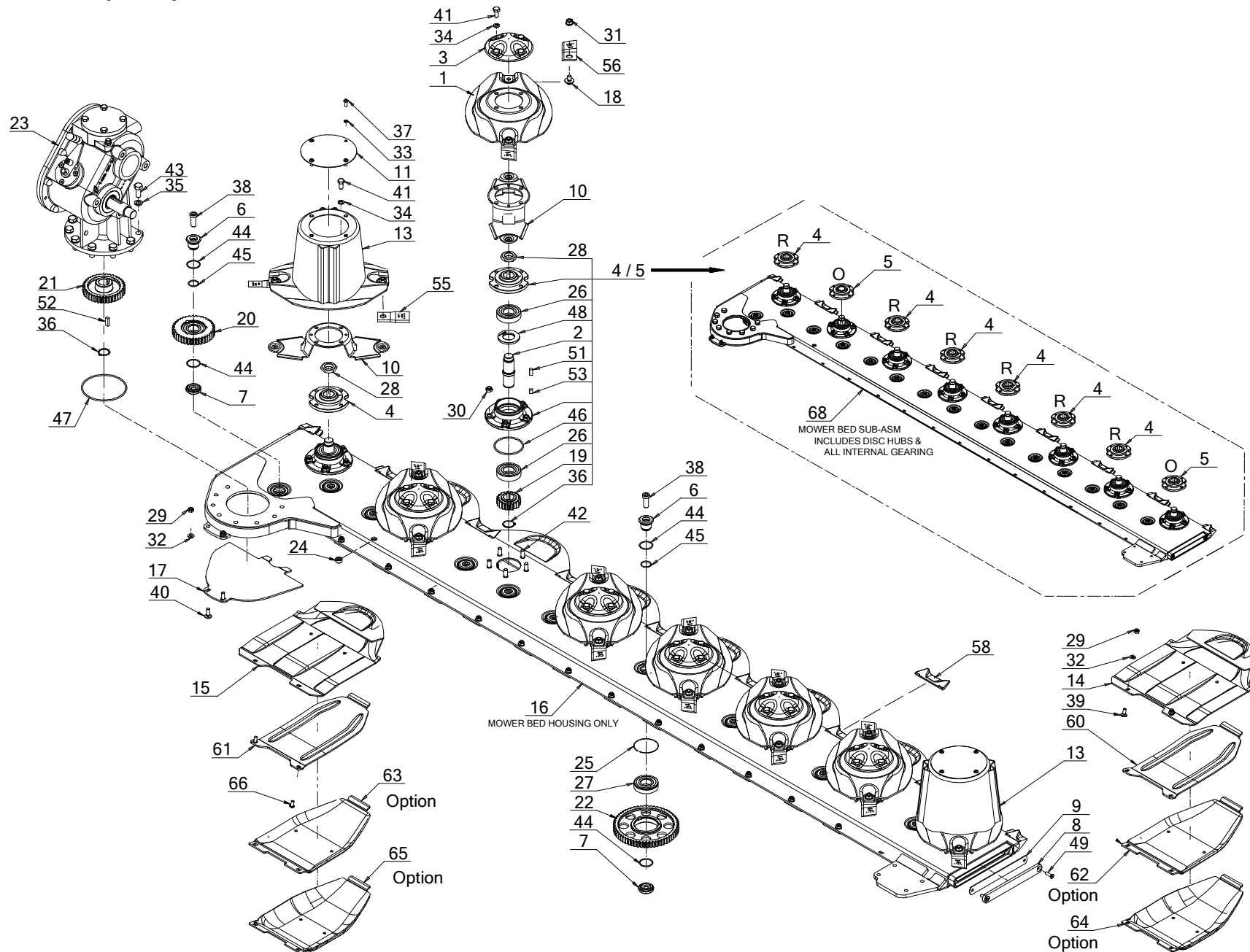
# Drive Couplings LH (1412)





No.	Part No	Description	Qty
1	ACH02838	MOWER CUTTERBAR MOUNTING BRACKET	1
2	CBR00127	BEARING SPHERICAL 30MM GE30ES 2RS	1
3	CFA00032	SETSCREW M12X30 Z/P	4
4	CFA00040	BOLT M16X100 Z/P	2
5	CFA00052	SETSCREW M8X20 Z/P	2
8	CFA00126	NUT M14 NYLOC	4
9	CFA00128	NUT M16 NYLOC	2
10	CFA00129	NUT M20 NYLOC	1
11	CFA00132	NUT M8 NYLOC Z/P	4
12	CFA00140	WASHER FLAT 16MM Z/P	4
13	CFA00147	WASHER FLAT 8MM Z/P	6
14	CFA00222	WASHER FLAT 14MM Z/P	8
15	CFA00229	SETSCREW M16X35 Z/P	8
17	CFA00250	WASHER SKM12	4
19	CFA00038	BOLT M14X50 Z/P	4
20	CFA00319	GRUBSCREW M8X20	1
21	CFA00395	BOLT M20X120 Z/P	1
22	CFA00398	SETSCREW M14X30 Z/P	4
23	CFA00506	SETSCREW M8X20 CUPHEAD SQ ZP	2
24	CFA00783	WASHER NL16 NORD-LOCK	13
25	CFA01030	WASHER M14 NORDLOCK	4
26	CFA00739	BOLT M16X70 Z/P	4
27	CFA01076	KEY 12X8X50	1
28	CFA01086	JUBILEE CLIP 110MM-130MM	1
30	CFA02223	WASHER PEINER M20 GALV DIN6916	1
33	CMH01028	BUSH 17X30X39	4
35	CMT00365	COUPLING JAW (STANDARD 48)105 OD	1
36	CMT00366	COUPLING SPIDER 48-98 SHORE	1
37	CMT00367	COUPLING JAW (FLANGE MOUNTING 48)105 OD	1
38	CMT00385	GEARBOX MOWER 2 SPEED COND DRIVE (BUTTERFLY)	1
39	CTP00725	MOWER CONDITIONER SEAL EXTERNAL	1
40	CTP00585	PTO GUARD 115MM DIA	1
	<i>REPLACES CGD00392</i>		
41	CZB02532	1.5MM L MOWER GUARD	1
44	CZC05608	3MM MOWER GUARD BRKT	1
49	KST00103	COUPLING JAW+SPIDER KIT MOWER	1
	<i>INCLUDES ITEMS 2, 3, 17, 20, 27, 35, 36, 37 &amp; GEARBOX SHAFT SEAL CSE00633</i>		

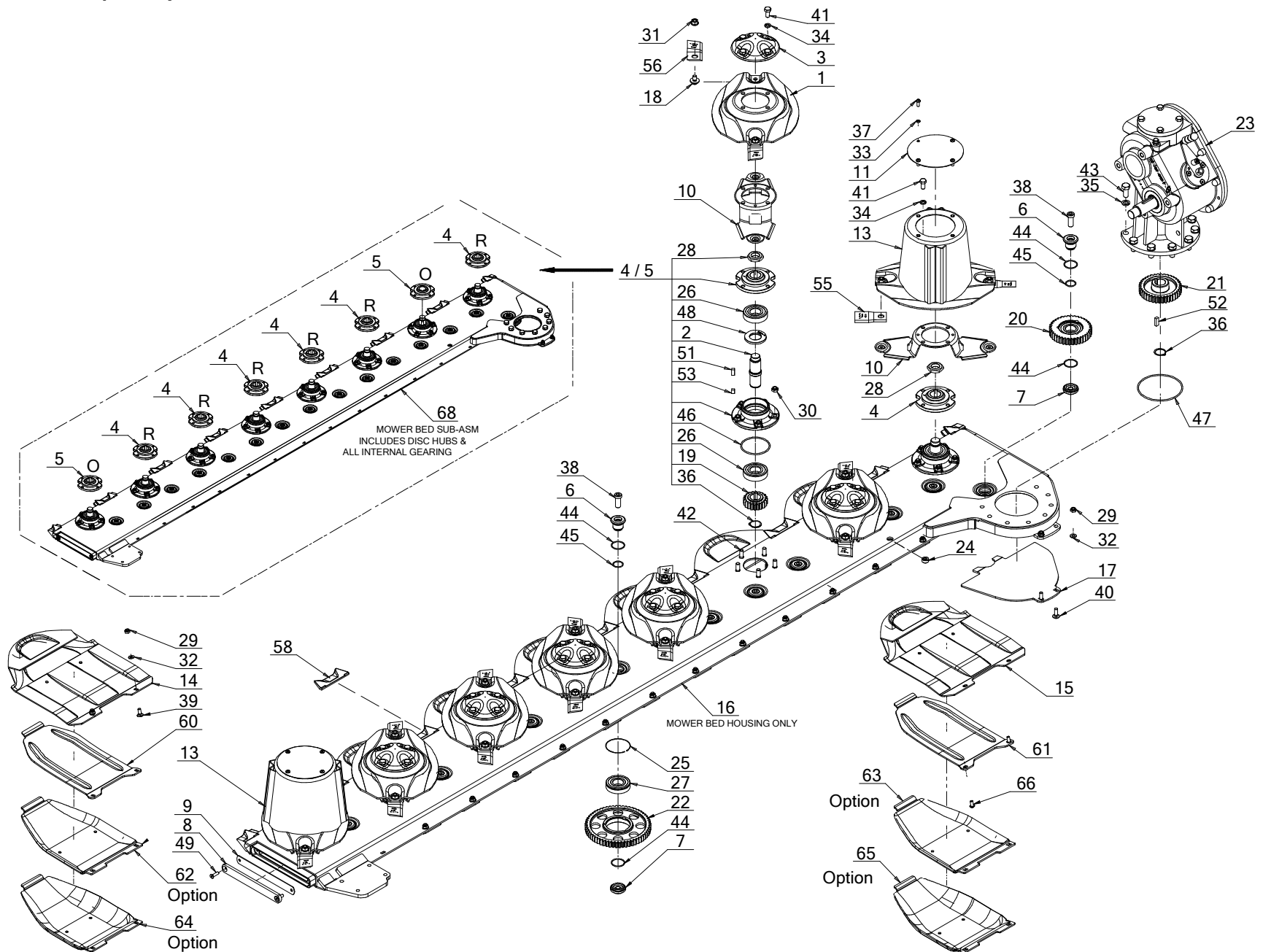
# Cutterbar RH (1415)



No.	Part No	Description	Qty
0	CMT00790	CUTTERBAR 3.4M TWIN ENDS RH	1
1	ART00386	MOWER DISC W/SQ STUD HOLE	6
<i>(INCLUDES ITEMS 18 &amp; 31)</i>			
1	ART00404	MOWER DISC HALF DRUM	1
<i>THIS CAN BE FITTED AT DISC 2 NEXT TO ITEM 13 (GEARBOX END) TO IMPROVE CROP FLOW IN HEAVY RYE GRASS</i>			
2	CMH01691	SHAFT PINION L120 MOWER HUB	8
3	CZB00304	COVER CAP DISC MOWER	6
4	AAX00001	DISC HUB ASM UPPER (R)	6
5	AAX00002	DISC HUB ASM UPPER (O)	2
6	CMH01696	IDLER HOLDER UPPER MOWER BED	15
7	CMH02764	IDLER HOLDER LOWER MOWER	15
8	CMH01742	BAR CLOSURE 2X CSK HOLES MOWER BED	1
9	CBE00335	GASKET BAR RUBBER MOWER BED	1
10	CZE00318	KNIFE HOLDER MOWER 5MM	8
11	CZB00305	CAP COVER DISC OUTER DRUM MOWER	2
13	ART00398	MOWER DISC WITH OUTER DRUM FLAT	2
<i>(INCLUDES ITEMS 18 &amp; 31)</i>			
14	ACH01619	MAIN SLIDE DISC MOWER W/SLOT	7
<i>(96 MM SLOT)</i>			
15	ACH01620	SLIDE UNDER G-BOX MOWER W/SLOT	1
<i>(96 MM SLOT)</i>			
16	CMT00804	CUTTERBAR HOUSING RHS 3.4M	1
17	CZE00294	SKID UNDER G-BOX DISC MOWER	1
18	CMH01840	PIN KNIFE HOLDER HOOK W/SQ	16
19	CMH01698	GEAR 20T WORK DISC MOWER BED	8
20	CMT00529	GEAR 38T IDLER W/BEARING SKF	1
<i>ASSEMBLY INCLUDES 38T IDLER GEAR CMH01699, RETAINING RING ITEM 25 &amp; BEARING ITEM 27</i>			
21	CMH01693	GEAR 38T GBOX DRIVE MOWER BED	1
22	CMT00829	GEAR ASM 60T W/BEARING SKF	14
<i>ASSEMBLY INCLUDES 60T GEAR CMH01697, RETAINING RING ITEM 25 &amp; BEARING ITEM 27</i>			
23	CMT00380	GEARBOX REAR MWR 2 SPD CONDR	1
24	CFA01085	PLUG OIL INLET HEX M22X1.5 MWR BED	1
25	CFA01109	RETAINING RING 6307N BEARING	15
26	CBR00383	BEARING 6307 2RS C3	16
27	CBR00335	BEARING 6307 2RS NR SNAP-RING	15
28	CFA01116	NUT LOCK-HALF M30X1.5 MWR 8.8 Z/P	8
29	CFA00123	NUT M10 NYLOC Z/P	16
30	CFA00124	NUT M12 NYLOC	40
31	CFA00439	NUT M12 FLANGED HEAD 10.9 Z/P	16
32	CFA00201	WASHER FLAT 10MM Z/P	16
33	CFA00185	WASHER SPRING 8MM Z/P	8
34	CFA00623	WASHER SPRING 12MM LIGHT Z/P	32
35	CFA00252	WASHER SKM16	8
36	CFA00514	CIRCLIP 35MM EXTERNAL	9
37	CFA00429	SCREW M8X20 BTN HEAD SOC HX Z/P	8
38	CFA01110	BOLT M16X40 ALLEN HD 10.9	15
39	CFA00017	SETSCREW M10X30 CUP SQ Z/P	14
<i>REPLACES SETSCREW M10X25 CUP SQ Z/P (CFA00442)</i>			
40	CFA00017	SETSCREW M10X30 CUP SQ Z/P	2
41	CFA00031	SETSCREW M12X25 ZP	32

42	CFA01115	BOLT M12X30 KNURLED 10.9 Z/P MOWER	40
43	CFA00229	SETSCREW M16X35 Z/P	8
44	CSE00855	SEAL O RING OS 40X2.5 MOWER	30
45	CSE00645	SEAL O RING OS 30X2.5 MOWER	15
46	CSE00638	SEAL O RING OS 90X4	8
47	CFA02340	LOCTITE SI 5926 40ML NON SETTING GASKET	1
<i>APPLY A CONTINUOUS BEAD OF SEALANT TO FLAT MACHINED SURFACE AROUND EACH BOLT HOLE &amp; CENTRE BORE</i>			
48	CSE00637	OIL SEAL AO 40X72X7 MOWER BED	8
49	CFA00593	SETSCREW M8X30 CSK ALLEN Z/P	2
51	CFA01111	KEY B 10X8X22 MOWER BED	8
52	CFA01112	KEY B 10x8x30 MOWER BED	1
53	CFA01082	KEY B 10x8x16 MOWER BED	8
55	KCN00042	MOWER BLADE 50X109 RH 13 DEG	8
56	KCN00043	MOWER BLADE 50X109 LH 13 DEG	8
58	CTP00832	CUTTERBAR COUNTERKNIFE	8
<i>REPLACEMENT WELD-IN INSERT (REPLACES CTP00513)</i>			
60	CTP00562	SKID PAD FLAT	7
61	CTP00563	SKID PAD FLAT UNDER G/BOX	1
62	CTP00564	HIGH CUT SKID +25MM	7
63	CTP00565	HIGH CUT SKID +25MM UNDER GBOX	1
64	CTP00566	HIGH CUT SKID +50MM	7
<i>(95 MM TAB)</i>			
65	CTP00567	HIGH CUT SKID +50MM UNDER GBOX	1
<i>(95 MM TAB)</i>			
66	CFA00243	SETSCREW M10X20 BUTTON HEAD Z/P	2
68	CMT00807	MOWER BED 3.4M GEARS & HUBS LH	1

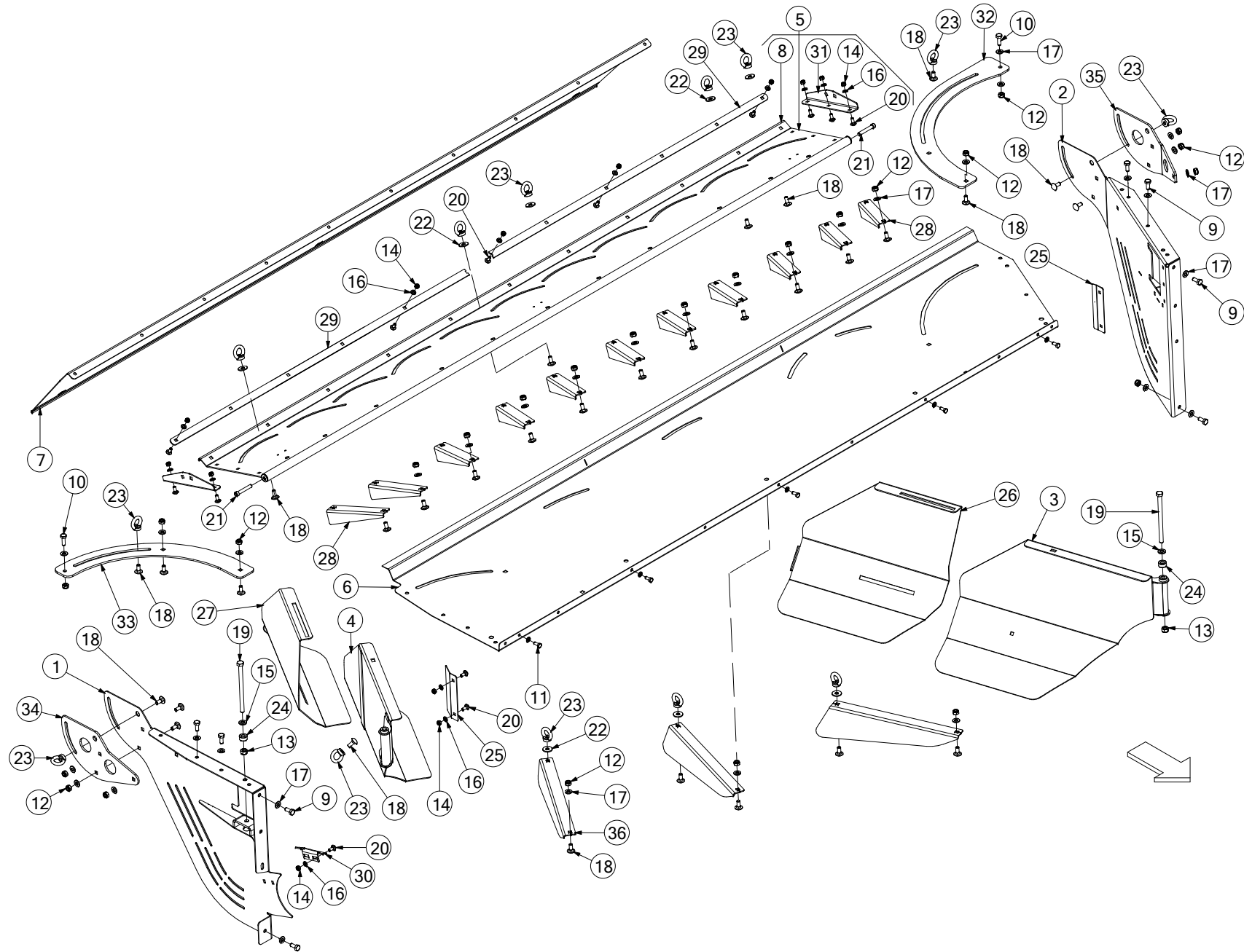
# Cutterbar LH (1416)



No.	Part No	Description	Qty
0	CMT00791	CUTTERBAR 3.4M TWIN ENDS LH	1
1	ART00386	MOWER DISC W/SQ STUD HOLE	6
<i>(INCLUDES ITEMS 18 &amp; 31)</i>			
1	ART00404	MOWER DISC HALF DRUM	1
<i>THIS CAN BE FITTED AT DISC 2 NEXT TO ITEM 13 (GEARBOX END) TO IMPROVE CROP FLOW IN HEAVY RYE GRASS</i>			
2	CMH01691	SHAFT PINION L120 MOWER HUB	8
3	CZB00304	COVER CAP DISC MOWER	6
4	AAX00001	DISC HUB ASM UPPER (R)	6
5	AAX00002	DISC HUB ASM UPPER (O)	2
6	CMH01696	IDLER HOLDER UPPER MOWER BED	15
7	CMH02764	IDLER HOLDER LOWER MOWER	15
8	CMH01742	BAR CLOSURE 2X CSK HOLES MOWER BED	1
9	CBE00335	GASKET BAR RUBBER MOWER BED	1
10	CZE00318	KNIFE HOLDER MOWER 5MM	8
11	CZB00305	CAP COVER DISC OUTER DRUM MOWER	2
13	ART00398	MOWER DISC WITH OUTER DRUM FLAT	2
<i>(INCLUDES ITEMS 18 &amp; 31)</i>			
14	ACH01619	MAIN SLIDE DISC MOWER W/SLOT	7
<i>(96 MM SLOT)</i>			
15	ACH01620	SLIDE UNDER G-BOX MOWER W/SLOT	1
<i>(96 MM SLOT)</i>			
16	CMT00805	CUTTERBAR HOUSING LHS 3.4M	1
17	CZE00294	SKID UNDER G-BOX DISC MOWER	1
18	CMH01840	PIN KNIFE HOLDER HOOK W/SQ	16
19	CMH01698	GEAR 20T WORK DISC MOWER BED	8
20	CMT00529	GEAR 38T IDLER W/BEARING SKF	1
<i>ASSEMBLY INCLUDES 38T IDLER GEAR CMH01699, RETAINING RING ITEM 25 &amp; BEARING ITEM 27</i>			
21	CMH01693	GEAR 38T GBOX DRIVE MOWER BED	1
22	CMT00829	GEAR ASM 60T W/BEARING SKF	14
<i>ASSEMBLY INCLUDES 60T GEAR CMH01697, RETAINING RING ITEM 25 &amp; BEARING ITEM 27</i>			
23	CMT00385	GEARBOX MOWER 2 SPEED COND DRIVE (BUTTERFLY)	1
24	CFA01085	PLUG OIL INLET HEX M22X1.5 MWR BED	1
25	CFA01109	RETAINING RING 6307N BEARING	15
26	CBR00383	BEARING 6307 2RS C3	16
27	CBR00335	BEARING 6307 2RS NR SNAP-RING	15
28	CFA01116	NUT LOCK-HALF M30X1.5 MWR 8.8 Z/P	8
29	CFA00123	NUT M10 NYLOC Z/P	16
30	CFA00124	NUT M12 NYLOC	40
31	CFA00439	NUT M12 FLANGED HEAD 10.9 Z/P	16
32	CFA00201	WASHER FLAT 10MM Z/P	16
33	CFA00185	WASHER SPRING 8MM Z/P	8
34	CFA00623	WASHER SPRING 12MM LIGHT Z/P	32
35	CFA00252	WASHER SKM16	8
36	CFA00514	CIRCLIP 35MM EXTERNAL	9
37	CFA00429	SCREW M8X20 BTN HEAD SOC HX Z/P	8
38	CFA01110	BOLT M16X40 ALLEN HD 10.9	15
39	CFA00017	SETSCREW M10X30 CUP SQ Z/P	14
<i>REPLACES SETSCREW M10X25 CUP SQ Z/P (CFA00442)</i>			
40	CFA00017	SETSCREW M10X30 CUP SQ Z/P	2
41	CFA00031	SETSCREW M12X25 ZP	32

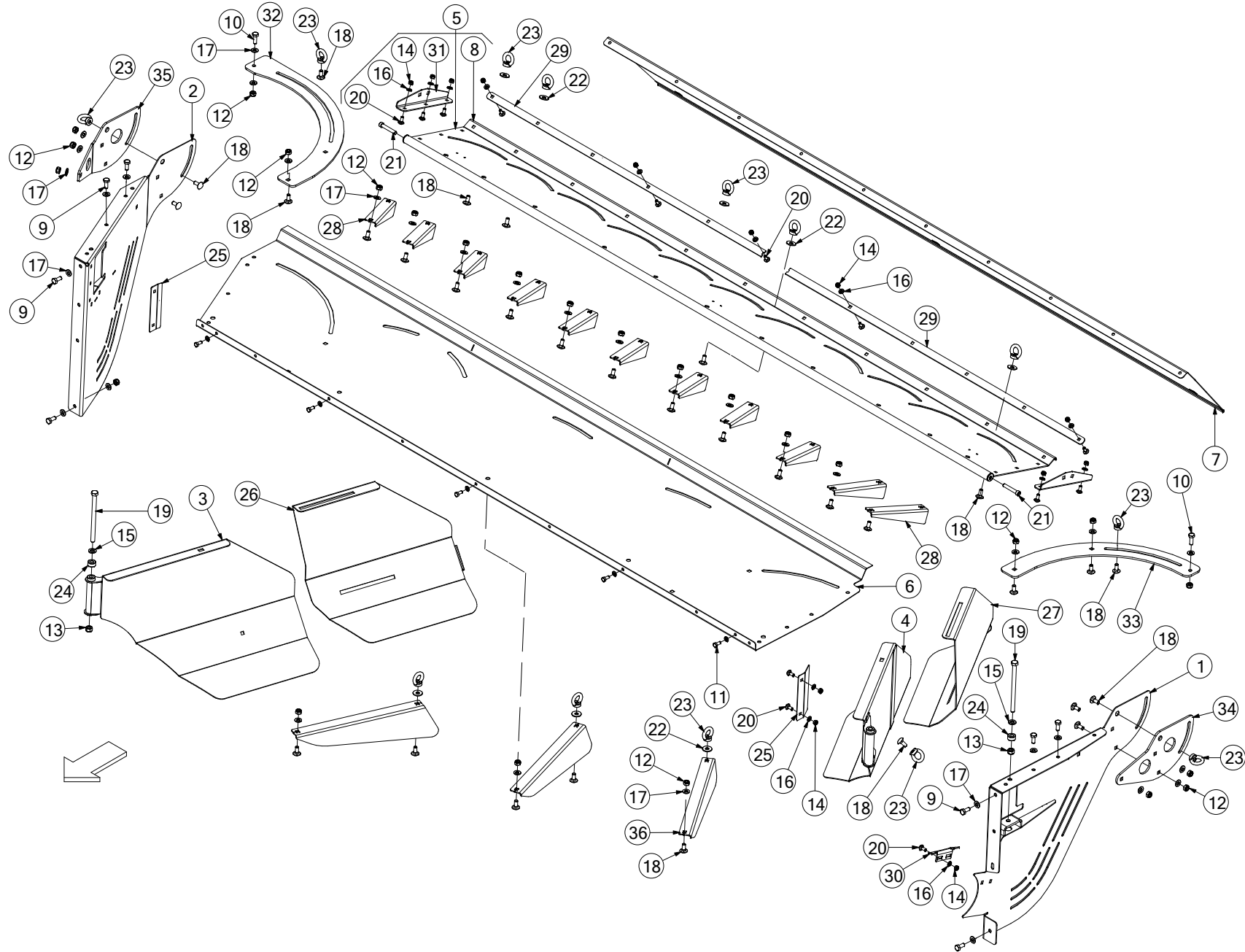
42	CFA01115	BOLT M12X30 KNURLED 10.9 Z/P MOWER	40
43	CFA00229	SETSCREW M16X35 Z/P	8
44	CSE00855	SEAL O RING OS 40X2.5 MOWER	30
45	CSE00645	SEAL O RING OS 30X2.5 MOWER	15
46	CSE00638	SEAL O RING OS 90X4	8
47	CFA02340	LOCTITE SI 5926 40ML NON SETTING GASKET	1
<i>APPLY A CONTINUOUS BEAD OF SEALANT TO FLAT MACHINED SURFACE AROUND EACH BOLT HOLE &amp; CENTRE BORE</i>			
48	CSE00637	OIL SEAL AO 40X72X7 MOWER BED	8
49	CFA00593	SETSCREW M8X30 CSK ALLEN Z/P	2
51	CFA01111	KEY B 10X8X22 MOWER BED	8
52	CFA01112	KEY B 10x8x30 MOWER BED	1
53	CFA01082	KEY B 10x8x16 MOWER BED	8
55	KCN00042	MOWER BLADE 50X109 RH 13 DEG	8
56	KCN00043	MOWER BLADE 50X109 LH 13 DEG	8
58	CTP00832	CUTTERBAR COUNTERKNIFE	8
<i>REPLACEMENT WELD-IN INSERT (REPLACES CTP00513)</i>			
60	CTP00562	SKID PAD FLAT	7
61	CTP00563	SKID PAD FLAT UNDER G/BOX	1
62	CTP00564	HIGH CUT SKID +25MM	7
63	CTP00565	HIGH CUT SKID +25MM UNDER GBOX	1
64	CTP00566	HIGH CUT SKID +50MM	7
<i>(95 MM TAB)</i>			
65	CTP00567	HIGH CUT SKID +50MM UNDER GBOX	1
<i>(95 MM TAB)</i>			
66	CFA00243	SETSCREW M10X20 BUTTON HEAD Z/P	2
68	CMT00806	MOWER BED 3.4M GEARS & HUBS RH	1

# Discharge Unit RH (1413)



No.	Part No	Description	Qty
1	ACH01463	MOWER SIDE BOARD WELD RHS	1
2	ACH01464	MOWER SIDE BOARD WELD LHS	1
3	ACH02846	MOWER SWATH BOARD WELD LHS	1
4	ACH02847	MOWER SWATH BOARD WELD RHS	1
5	ACH01777	MOWER DISCHARGE FLAP 3.4M R	1
<i>INCLUDES ITEMS 8, 14, 16, 20 &amp; 31</i>			
6	ACH01732	DISCHARGE UNIT COVER SHEET 3.4M	1
7	AGD00112	MOWER DISCHARGE CURTAIN ASSY 3.4M	1
8	ACH01734	MOWER DISCHARGE PLATE 3M	1
8a	AGD00120	TURNBUTTON + FASTENERS & EYELET	3
9	CFA00024	SETSCREW M10X25 Z/P	10
10	CFA00025	SETSCREW M10X30	2
11	CFA00052	SETSCREW M8X20 Z/P	5
12	CFA00123	NUT M10 NYLOC	36
13	CFA00124	NUT M12 NYLOC	2
14	CFA00132	NUT M8 NYLOC Z/P	20
15	CFA00138	WASHER FLAT 12MM Z/P	2
16	CFA00147	WASHER FLAT 8MM Z/P	25
17	CFA00201	WASHER FLAT 10 MM Z/P	47
18	CFA00442	SETSCREW M10X25 CUP SQ	43
19	CFA00470	BOLT M12X180 Z/P	2
20	CFA00506	SETSCREW M8X20 CUPHEAD SQ ZP	15
21	CFA00664	BOLT M10X60 SOC CAP Z/P	2
22	CFA01056	WASHER 10MM DIN 9021 NYLON	14
23	CFA02312	M10 LIFTING EYE NUT DIN 582	20
24	CMH01680	BUSH 12X25X12	2
25	CZB02512	2MM L CROP FLOW DEFLECTION MOWER	2
26	CZC04878	3MM L SWATH BOARD EXTENSION LHS	1
27	CZC04883	3MM L SWATH BOARD EXTENSION RHS	1
28	CZC04884	3MM L CROP DEFLECTOR REAR MOWER	11
29	CZC05580	3MM CURTIN RETAINER MOWER	2
30	CZC05606	3MM L CONDITIONER SCRAPER	1
31	CZC05643	3MM MOWER DISCHARGE SIDE BRKT	2
32	CZF07188	6MM L PLATE MOWER DISCHARGE	1
33	CZF07189	6MM L PLATE MOWER DISCHARGE	1
34	CZF07229	6MM SUPPORT PLATE REAR MOWER	1
35	CZF07230	6MM SUPPORT PLATE REAR MOWER	1
36	CZC05225	3MM L LONG CROP DEFLECTOR REAR MOWER	3

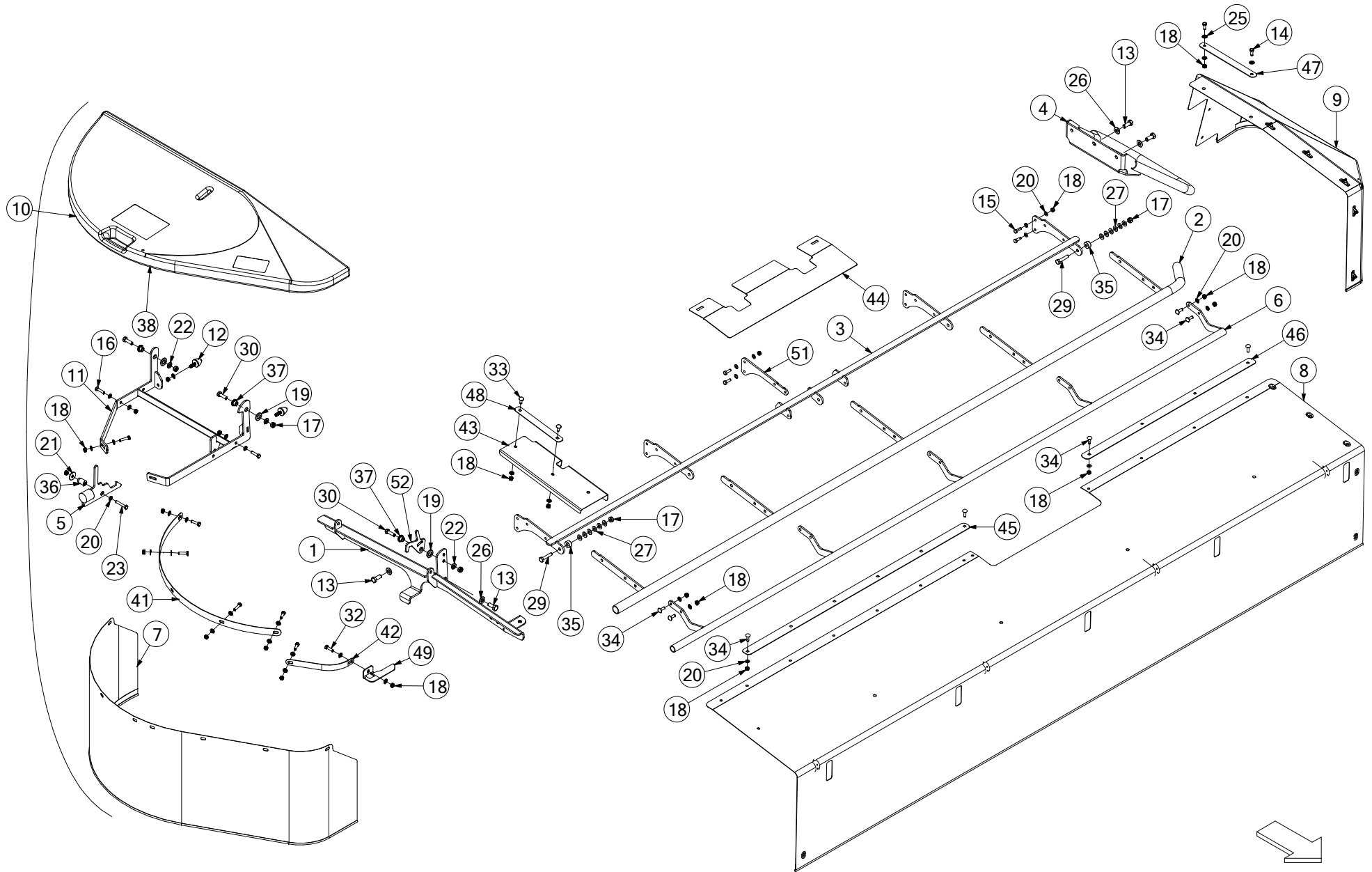
# Discharge Unit LH (1414)





No.	Part No	Description	Qty
1	ACH01465	MOWER SIDE BOARD WELD LHS	1
2	ACH01466	MOWER SIDE BOARD WELD RHS	1
3	ACH02847	MOWER SWATH BOARD WELD RHS	1
4	ACH02846	MOWER SWATH BOARD WELD LHS	1
5	ACH01778	MOWER DISCHARGE FLAP 3.4M L	1
<i>INCLUDES ITEMS 8, 14, 16, 20 &amp; 31</i>			
6	ACH01733	DISCHARGE UNIT COVER SHEET 3.4M L	1
7	AGD00112	MOWER DISCHARGE CURTAIN ASSY 3.4M	1
8	ACH01735	MOWER DISCHARGE FLAP 3.4 L	1
8a	AGD00120	TURNBUTTON + FASTENERS & EYELET	3
9	CFA00024	SETSCREW M10X25 Z/P	10
10	CFA00025	SETSCREW M10X30	2
11	CFA00052	SETSCREW M8X20 Z/P	5
12	CFA00123	NUT M10 NYLOC	36
13	CFA00124	NUT M12 NYLOC	2
14	CFA00132	NUT M8 NYLOC Z/P	20
15	CFA00138	WASHER FLAT 12MM Z/P	2
16	CFA00147	WASHER FLAT 8MM Z/P	25
17	CFA00201	WASHER FLAT 10 MM Z/P	47
18	CFA00442	SETSCREW M10X25 CUP SQ	43
19	CFA00470	BOLT M12X180 Z/P	2
20	CFA00506	SETSCREW M8X20 CUPHEAD SQ ZP	15
21	CFA00664	BOLT M10X60 SOC CAP Z/P	2
22	CFA01056	WASHER 10MM DIN 9021 NYLON	14
23	CFA02312	M10 LIFTING EYE NUT DIN 582	20
24	CMH01680	BUSH 12X25X12	2
25	CZB02512	2MM L CROP FLOW DEFLECTION MOWER	2
26	CZC04883	3MM L SWATH BOARD EXTENSION RHS	1
27	CZC04878	3MM L SWATH BOARD EXTENSION LHS	1
28	CZC04884	3MM L CROP DEFLECTOR REAR MOWER	11
29	CZC05580	3MM CURTIN RETAINER MOWER	2
30	CZC05606	3MM L CONDITIONER SCRAPER	1
31	CZC05643	3MM MOWER DISCHARGE SIDE BRKT	2
32	CZF07188	6MM L PLATE MOWER DISCHARGE	1
33	CZF07189	6MM L PLATE MOWER DISCHARGE	1
34	CZF07229	6MM SUPPORT PLATE REAR MOWER	1
35	CZF07243	6MM SUPPORT PLATE REAR MOWER	1
36	CZC05225	3MM L LONG CROP DEFLECTOR REAR MOWER	3

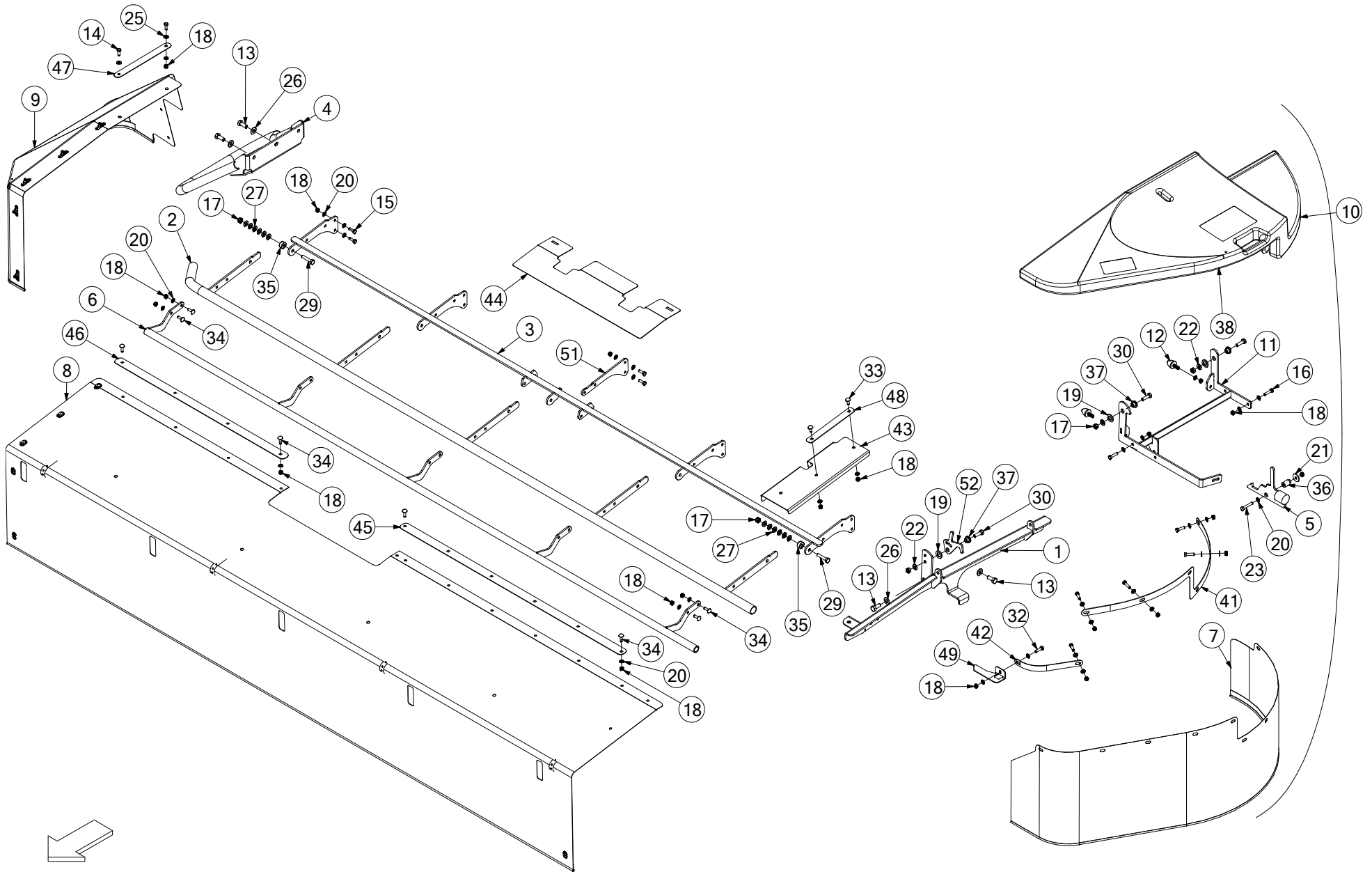
# Panels RH (1417)



No.	Part No	Description	Qty
1	AMR00007	GUARD MOUNT MOWER RHS	1
	<i>REPLACES ACH02884</i>		
2	AGD00108	GUARD RAIL CURTIN 3.4M B9000 R	1
3	AGD00107	MOWER GUARD FRAME 3.4M R	1
4	AGD00128	GUARD FRAME INNER B9000 3.4M R	1
5	AGD00017	MOWER GUARD GRAVITY LATCH	1
6	AGD00113	MOWER FRONT HAND RAIL 3.4M R	1
7	AGD00035	FRONT MOWER RHS CURTAIN ASSY	1
7a	AGD00120	TURNBUTTON + FASTENERS & EYELET	1
8	AGD00110	MOWER FRONT CURTAIN ASSY 3.4M R	1
8a	AGD00120	TURNBUTTON + FASTENERS & EYELET	1
9	AGD00238	CURTAIN RHS INNER B9600	1
9a	AGD00120	TURNBUTTON + FASTENERS & EYELET	1
10	AGD00059	REAR MOWER GUARD ASSY RHS	1
	<i>COMPLETE GUARD RH ASM INCLUDING FRAME, LATCH, CURTAIN &amp; BUFFERS (BUT NOT HINGE BOLTS)</i>		
11	AGD00118	MOWER GUARD FRAME RHS	1
	<i>REPLACES AGD00060</i>		
12	CBE00028	BUFFER RUBBER 30X36 M8/27 57SH	2
13	CFA00032	SETSCREW M12X30 Z/P	5
14	CFA00052	SETSCREW M8X20 Z/P	4
15	CFA00102	SETSCREW M8X25 Z/P	10
16	CFA00107	SETSCREW M8X35 Z/P	6
17	CFA00123	NUT M10 NYLOC	7
18	CFA00132	NUT M8 NYLOC Z/P	48
19	CFA00140	WASHER FLAT 16MM Z/P	3
20	CFA00147	WASHER FLAT 8MM Z/P	68
21	CFA00149	WASHER MUDWING M8 31.75OD	1
22	CFA00201	WASHER FLAT 10 MM Z/P	9
23	CFA00210	SETSCREW M8X50 Z/P	1
25	CFA00249	WASHER SKM8	2
26	CFA00250	WASHER SKM12	5
27	CFA00251	WASHER SKM10	30
29	CFA00310	BOLT M10X50 Z/P	4
30	CFA00311	SETSCREW M10X35 Z/P	3
32	CFA00491	SETSCREW M8X30 Z/P	5
33	CFA00506	SETSCREW M8X20 CUPHEAD SQ ZP	2
34	CFA00591	SETSCREW M8X25 CUPHEAD SQ ZP	20
35	CMH01329	BUSH 10X25X12	4
36	CMH02691	BUSH 20X15X50	1
37	CMH02724	BUSH 25X10.5X14 STEPPED	3
38	CPL00231	PLASTIC MOWER GUARD RHS	1
41	CZB02545	2MM L FRONT MOWER CURTAIN STRIP	1
42	CZB02547	2MM L FRONT MOWER CURTAIN STRIP 2 HOLE	1
43	CZB02548	1.5MM L MOWER GUARD	1
44	CZB02560	1.5MM MOWER GUARD	1
45	CZB02642	2MM L MOWER GUARD STRIP	1
46	CZB02664	2MM L MOWER GUARD STRIP	1
47	CZB02593	2MM L MOWER GUARD STRIP	1
48	CZB02594	2MM L MOWER GUARD STRIP	1

49	CZC05155	3MM CROP DEFLECTOR MOWER RHS	1
51	CZF10110	6MM L MOWER GUARD PART	1
52	CZF08958	6MM L MOWER GRAVITY LATCH	1

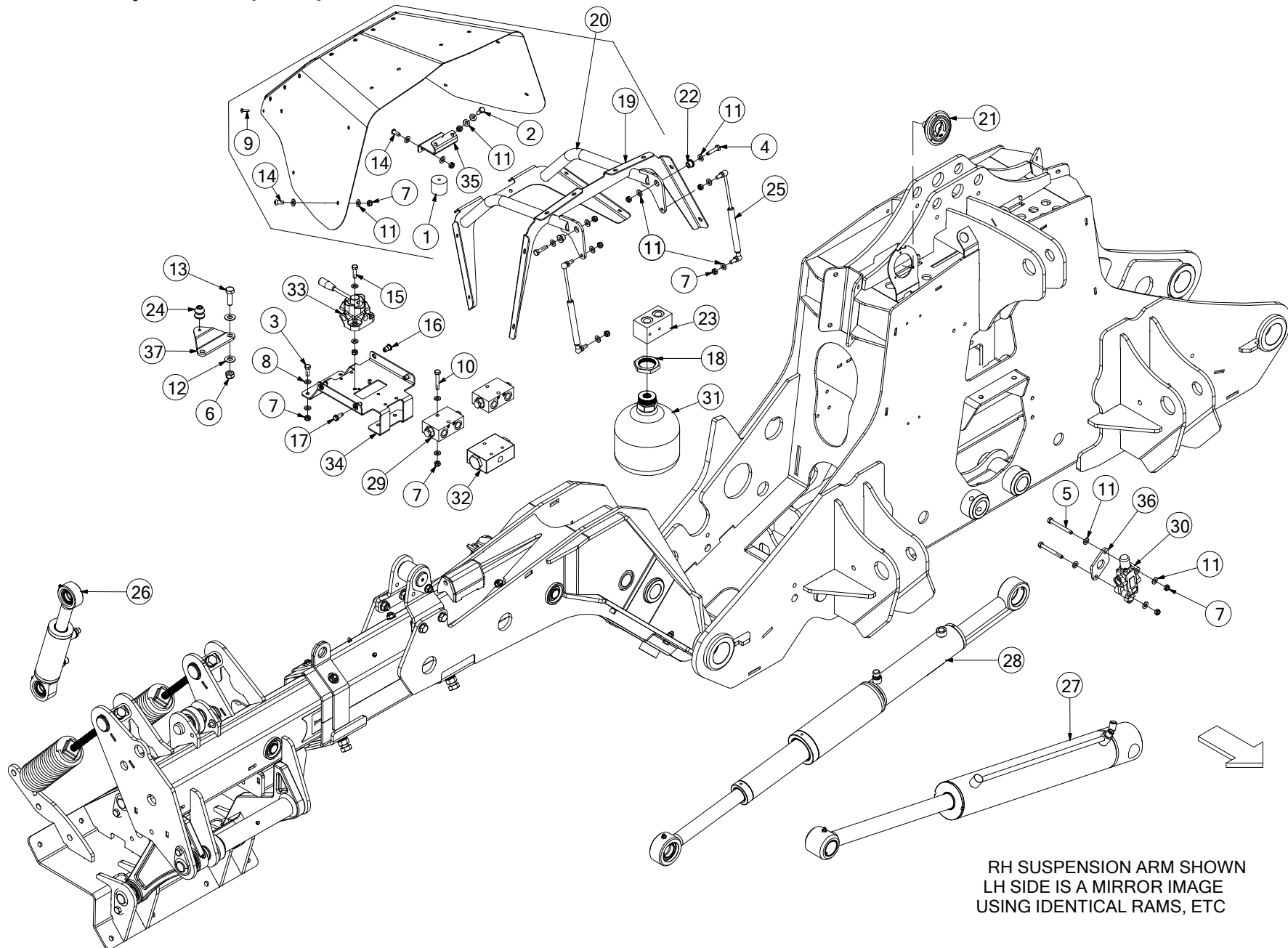
# Panels LH (1418)



No.	Part No	Description	Qty
1	AMR00010	GUARD MOUNT BUTTERFLY MOWER LHS	1
2	AGD00109	GUARD RAIL CURTIN 3.4M B9000 LH	1
3	AGD00107	MOWER GUARD FRAME 3.4M R	1
4	AGD00136	GUARD FRAME INNER B9000 3.4M LH	1
5	AGD00017	MOWER GUARD GRAVITY LATCH	1
6	AGD00114	MOWER FRONT HAND RAIL 3.4M LH	1
7	AGD00036	CURTAIN LHS F3100 + B9000	1
7a	AGD00120	TURNBUTTON + FASTENERS & EYELET	1
8	AGD00111	MOWER FRONT CURTAIN ASM 3.4M LH	1
8a	AGD00120	TURNBUTTON + FASTENERS & EYELET	1
9	AGD00239	CURTAIN LHS INNER B9600	1
9a	AGD00120	TURNBUTTON + FASTENERS & EYELET	1
10	AGD00063	MOWER BUTTERFLY GUARD ASSY LHS	1
<i>COMPLETE GUARD LH ASM INCLUDING FRAME, LATCH, CURTAIN &amp; BUFFERS (BUT NOT HINGE BOLTS)</i>			
11	AGD00119	GUARD MOUNT BUTTERFLY MOWER LHS	1
12	CBE00028	BUFFER RUBBER 30X36 M8/27 57SH	2
13	CFA00032	SETSCREW M12X30 Z/P	5
14	CFA00052	SETSCREW M8X20 Z/P	4
15	CFA00102	SETSCREW M8X25 Z/P	10
16	CFA00107	SETSCREW M8X35 ZP	6
17	CFA00123	NUT M10 NYLOC	7
18	CFA00132	NUT M8 NYLOC Z/P	48
19	CFA00140	WASHER FLAT 16MM Z/P	3
20	CFA00147	WASHER FLAT 8MM Z/P	68
21	CFA00149	WASHER MUDWING M8 31.75OD	1
22	CFA00201	WASHER FLAT 10 MM Z/P	9
23	CFA00210	SETSCREW M8X50 Z/P	1
25	CFA00249	WASHER SKM8	2
26	CFA00250	WASHER SKM12	5
27	CFA00251	WASHER SKM10	30
29	CFA00310	BOLT M10X50 Z/P	4
30	CFA00311	SETSCREW M10X35 Z/P	3
32	CFA00491	SETSCREW M8X30 Z/P	5
33	CFA00506	SETSCREW M8X20 CUPHEAD SQ ZP	2
34	CFA00591	SETSCREW M8X25 CUPHEAD SQ ZP	20
35	CMH01329	BUSH 10X25X12	4
36	CMH02691	BUSH 20X15X50	1
37	CMH02724	BUSH 25X10.5X14 STEPPED	3
38	CPL00234	MOWER GUARD PLASTIC LHS	1
<i>STEPPED VERSION</i>			
41	CZB02601	2MM L MOWER CURTAIN STRIP STEPPED	1
42	CZB02547	2MM L FRONT MOWER CURTAIN STRIP 2 HOLE	1
43	CZB02552	1.5MM L MOWER GUARD LHS	1
44	CZB02560	1.5MM MOWER GUARD	1
45	CZB02642	2MM L MOWER GUARD STRIP	1
46	CZB02664	2MM L MOWER GUARD STRIP	1
47	CZB02593	2MM L MOWER GUARD STRIP	1
48	CZB02594	2MM L MOWER GUARD STRIP	1
49	CZC05155	3MM CROP DEFLECTOR MOWER RHS	1

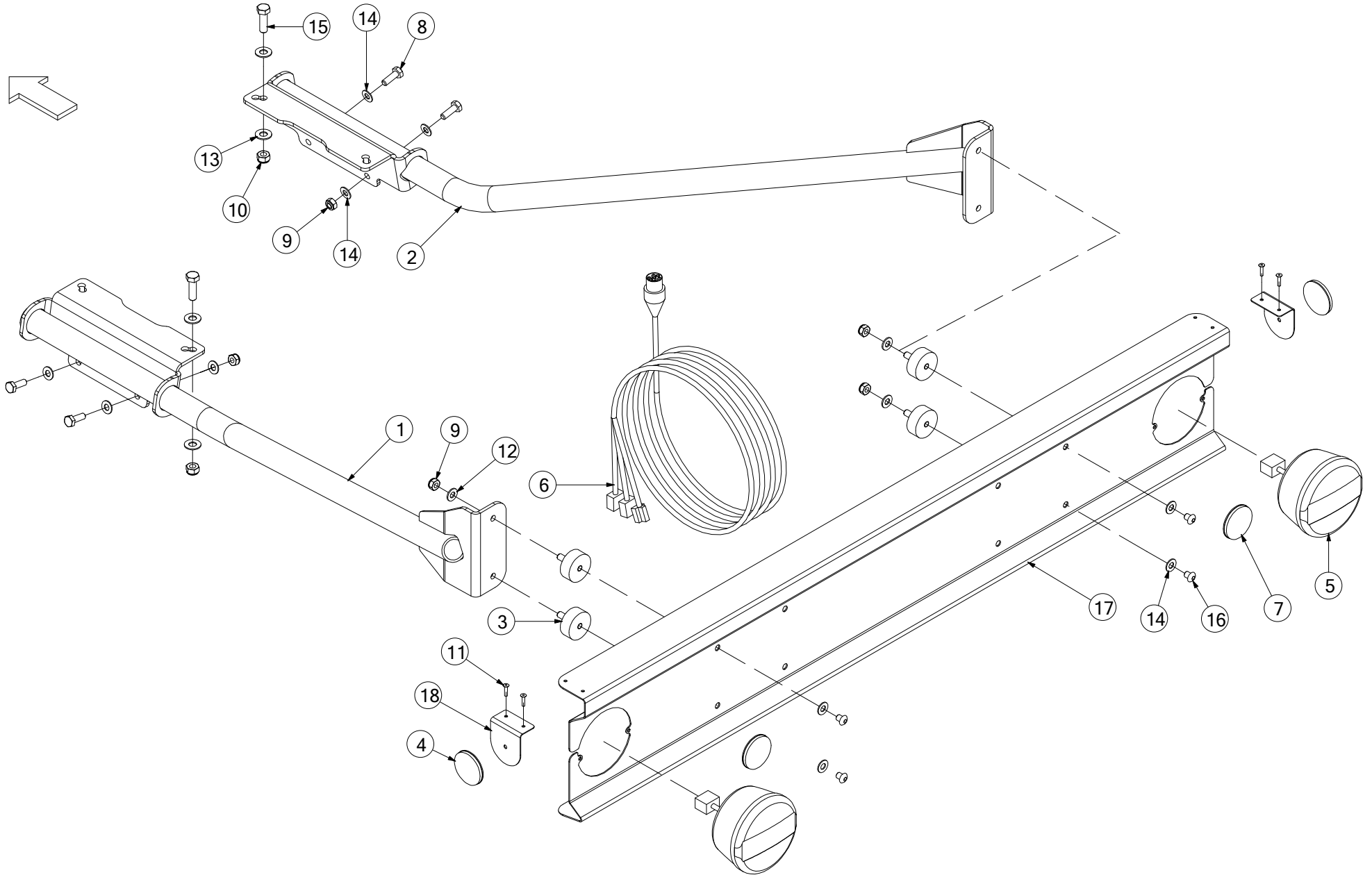
51	CZF10110	6MM L MOWER GUARD PART	1
52	CZF08958	6MM L MOWER GRAVITY LATCH	1

## Hydraulic components (1435)



No.	Part No	Description	Qty
1	CBE00322	DOOR HOLDER RUBBER FEMALE M6 HOLE	1
2	CFA00052	SETSCREW M8X20 Z/P	2
3	CFA00102	SETSCREW M8X25 Z/P	2
4	CFA00107	BOLT SETSCREW M8X35 Z/P	2
5	CFA00122	BOLT M8X75 8.8 Z/P	4
6	CFA00124	NUT M12 NYLOC	2
7	CFA00132	NUT M8 NYLOC Z/P	30
8	CFA00147	WASHER FLAT 8MM Z/P	12
9	CFA00198	POP RIVET 4.8X14MM Z/P	12
10	CFA00210	SETSCREW M8X50 Z/P	2
11	CFA00249	WASHER SKM8	50
12	CFA00250	WASHER SKM12	4
13	CFA00297	BOLT M12X40 Z/P	2
14	CFA00429	SETSCREW M8X20 BUTTON HEAD Z/P	16
15	CFA00491	SETSCREW M8X30 Z/P	2
16	CFA00764	INSERT THREADED M8 (REEL)	4
	<i>(PART OF ITEM 34)</i>		
17	CFA00766	SETSCREW M8X20 FLANGED DIN6921 Z/P	4
18	CFA01074	NUT M45X1.5 2L ACCUMULATOR FIXING	2
19	CGD00477	GUARD VALVE COVER WELD ASSY MOWER	1
20	CGD00478	GUARD VALVE COVER COMP MOWER	1
	<i>COVER ASSEMBLY - DOES NOT INCLUDE GAS STRUTS OR HINGE PIVOT BOLTS</i>		
21	CHY00133	GAUGE PRESSURE 63DIA FLANGE	1
22	CMH00742	BUSH 8X20X13 ZINC PLATED	2
23	CMH01717	ACCUMULATOR BLOCK REAR MOWER	2
24	CPL00228	DOOR HOLDER MALE M6 HOLE	1
25	CRA00781	GAS STRUT 245-80 500N	2
26	CRA00801	RAM MOWER SUSPENSION HD	1
26a	CVA00465	FLOATING RESTRICTOR 0.7MM	1
26b	CHY00937	WASHER DOWTY M18	1
26c	CHY01055	ADAPTOR M18MX1/4M	1
27	CRA00845	RAM LIFT CYLINDER B9000 3.4M	1
28	CRA00846	RAM 75X35 SUSPENSION B9000	1
29	CVA00148	DOUBLE IN-LINE CHECK VALVE	2
30	CVA00431	VALVE DIVERTER NO 2WAY CAM	2
30a	REP00078	REPAIR KIT ROLLER FOR CVA00431	2
	<i>REPAIR KIT INCLUDES ROLLER, PIN &amp; SPLIT PIN FOR VALVE CVA00431</i>		
31	CVA00670	ACCUMULATOR 2 L 100 BAR	2
32	CVA00725	VALVE FLOW DIVIDER COMBINER 20	1
33	CVA00729	VALVE 4 WAY 2 POSITION ROTARY	1
34	CZC00151	3MM VALVE BRACKET B9000 MOWER	1
	<i>(INCLUDES ITEMS 16)</i>		
35	CZC05737	3MM GUARD PART B9000	1
36	CZF10029	6MM VALVE SPACER PART B9000	2
37	CZF10033	6MM GUARD BRACKET B9000	1















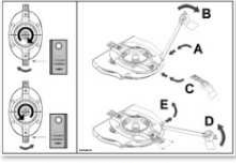

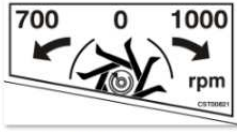
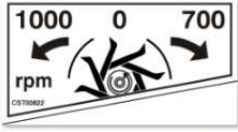

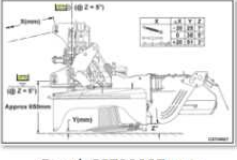


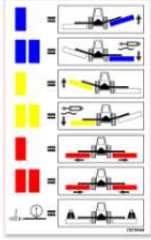
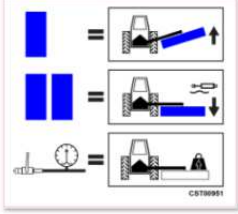
# **Electrical lighting (1436)**





No.	Part No	Description	Qty
0	ALA01106	LIGHT BRACKET ASSEMBLY B9600	1
<i>COMPLETE ASSEMBLY (EXCLUDES MOUNTING BOLTS ITEMS 8, 10, 13 &amp; 15)</i>			
1	ALA01104	LIGHT BRACKET WELD ASSY B9000 L	1
2	ALA01105	LIGHT BRACKET WELD ASSY B9000 R	1
3	CBE00361	RUBBER MOUNT 50X20 M10 M/F	4
4	CEL00643	60MM AMBER REFLECTOR 07.039.000	2
5	CEL01501	TAIL LIGHT CIRCULAR LED, 2M	2
6	CEL01502	REAR MOWER LIGHTING LOOM, 3M	1
6a	CEL01505	LIGHT LOOM ADAPTER (USA)	1
<i>SAE J560 ADAPTER REQUIRED FOR NORTH AMERICAN MARKETS ONLY</i>			
7	CEL01955	60MM AMBER REFLECTOR 07.039.000	2
8	CFA00025	SETSCREW M10X30	4
9	CFA00123	NUT M10 NYLOC	8
10	CFA00124	NUT M12 NYLOC	4
11	CFA00198	POP RIVET 4.8X14MM Z/P	4
12	CFA00201	WASHER FLAT 10 MM Z/P	4
13	CFA00250	WASHER SKM12	8
14	CFA00251	WASHER SKM10	12
15	CFA00297	BOLT M12X40 Z/P	4
16	CFA01140	SETSCREW M10X12 BUTTON HEAD Z/P	4
17	CZB00386	2MM L LIGHT BRACKET R3100 / B9000	1
18	CZB04944	1.5MM REFLECTOR BRKT	2

# Decals 1 (1201)

<p>1</p>  <p>Decal_CST00014.jpg</p>	<p>2</p>  <p>Decal_CST00017.JPG</p>	<p>3</p>  <p>Decal_CST00019.jpg</p>	<p>4</p>  <p>Decal_CST00032.png</p>	<p>5</p>  <p>Decal_CST00060.png</p>	<p>6</p>  <p>Decal_CST00108.jpg</p>
<p>7</p>  <p>Decal_CST00110.jpg</p>	<p>8</p>  <p>Decal_CST00111.jpg</p>	<p>9</p>  <p>Decal_CST00113.jpg</p>	<p>10</p>  <p>Decal_CST00120.jpg</p>	<p>11</p>  <p>Decal_CST00143.jpg</p>	<p>12</p>  <p>Decal_CST00814.png</p>
<p>13</p>  <p>Decal_CST00816.png</p>	<p>14</p>  <p>Decal_CST00817.png</p>	<p>15</p>  <p>Decal_CST00819.png</p>	<p>16</p>  <p>Decal_CST00820.png</p>	<p>17</p>  <p>Decal_CST00821.png</p>	<p>18</p>  <p>Decal_CST00822.png</p>
<p>19</p>  <p>Decal_CST00826.png</p>	<p>20</p>  <p>Decal_CST00827.png</p>	<p>21</p>  <p>Decal_CST00871.png</p>	<p>22</p>  <p>Decal_CST00901.png</p>	<p>23</p>  <p>Decal_CST00949.png</p>	<p>24</p>  <p>Decal_CST00951.png</p>

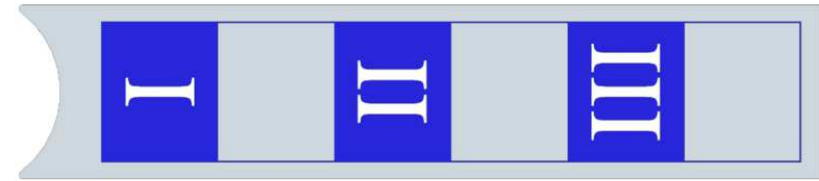
No.	Part No	Description	Qty
1	CST00014	DECAL WARNING! ROTATING ELEMENT	1
2	CST00017	DECAL ROTATING ELEMENTS 214	2
3	CST00019	DECAL CRUSHED HAND MCH-005	2
4	CST00032	DECAL LIFTING HOOK	3
5	CST00060	DECAL GREASE GUN MCH 004	15
6	CST00108	DECAL ROTATING PCK-UP REEL 246	2
7	CST00110	DECAL READ MANUAL (HORIZONTAL)	1
8	CST00111	DECAL HYD WARNING (HORIZONTAL)	1
9	CST00113	DECAL REMOVE KEY (HORIZONTAL)	1
10	CST00120	DECAL CRUSHED HAND (ABOVE)	2
11	CST00143	DECAL MAN WRAPPED IN SHAFT 220	2
12	CST00814	DECAL 1000 PTO RPM/210 BAR HYD	1
13	CST00816	DECAL WARNING ROTOR HAND & FOOT	2
14	CST00817	DECAL TRIPLE WARNING GUARD STOP +50M ZONE	3
15	CST00819	DECAL MOWER BLADE REPLACEMENT	1
16	CST00820	DECAL RH MOWER CONDITIONER ADJ	1
17	CST00821	DECAL RH CONDITIONER SPEED 700-1000	1
18	CST00822	DECAL LH CONDITIONER SPEED 700-1000	1
		<i>USED ON B9 MODELS ONLY</i>	
19	CST00826	DECAL LH MOWER CONDITIONER ADJ	1
		<i>USED ON B9 MODELS ONLY</i>	
20	CST00827	DECAL REAR MOWER SET-UP & HEIGHT ADJ	1
21	CST00871	DECAL MOWER HYD SUSPENSION 120X70MM	1
22	CST00901	DECAL TIE DOWN	4
23	CST00949	DECAL BUTTERFLY HYD INFO	1
		<i>USED ON B9 MODELS ONLY</i>	
24	CST00951	DECAL REAR MOWER HYD	1
		<i>USED ON R3100 MODELS ONLY</i>	

**Decals 2 (1203)**

**McHale**

CST00835

CST00905



CST00918

**PRO GLIDE**

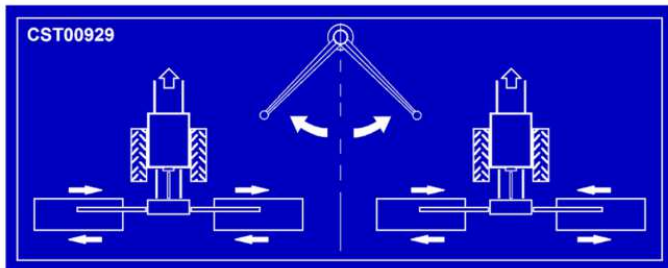
CST00836

**B9000**

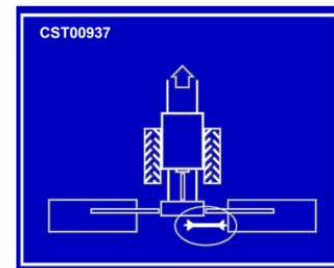
CST00840

**B9600**

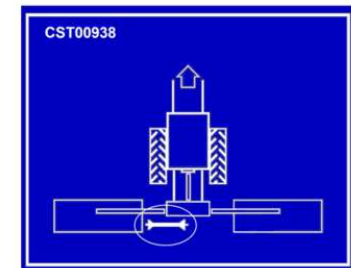
CST01033



CST00929



CST00937



CST00938

No.	Part No	Description	Qty
1	CST00835	MCHALE LOGO SILVER 260X58MM HIGH	2
1	CST00905	DECAL 'MCHALE' 90 X 400	1
2	CST00918	DECAL TELESCOPE GRADUATION 300MM	2
3	CST00836	PRO GLIDE LOGO SILVER RECTANGLE 765X97MM	2
4	CST00840	B9000 LOGO SILVER 460X65MM HIGH	2
<i>USED ON B9000 MODELS ONLY</i>			
5	CST01033	B9600 LOGO SILVER 460X65MM HIGH	2
<i>USED ON B9600 MODELS ONLY</i>			
6	CST00929	DECAL CHANGE OVER DIVERTER VALVE	1
7	CST00937	DECAL BUTTERFLY RHS DRIVE SHAFT	1
8	CST00938	DECAL BUTTERFLY LHS DRIVE SHAFT	1