

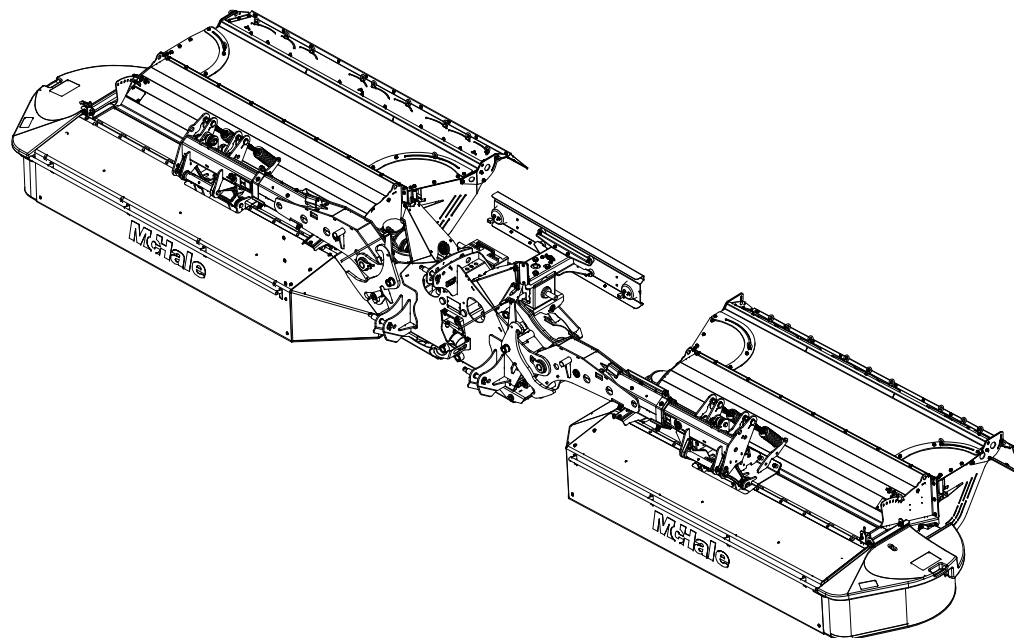
McHale PRO GLIDE



QUALITY

I.S. EN ISO 9001:2015

NSAI Certified



PRO GLIDE B9000 Spare Parts Book

McHale,
Ballinrobe,
Co. Mayo, Ireland.

Tel: +353 94 9520300

Fax: +353 94 9520356

Email: sales@mchale.net

Website: www.mchale.net

This page is intentionally left blank

McHale PRO GLIDE B9000

Introduction

The **McHale PRO GLIDE B9000** which you have purchased has been developed through years of constant research and development. Given proper care and attention the **PRO GLIDE B9000** will give years of reliable and dependable performance. However it is important that the operators manual is read and fully understood to achieve this, **before** the machine is operated. As part of this philosophy it is vital to use only **genuine McHale** replacement parts, as these are manufactured to the same high standard as the original machine. These may be obtained through your **McHale** dealer.

If any part of this manual is not fully understood, please contact your **McHale** dealer who will be able to answer any questions or queries that you might have. It is important to quote the machine serial number when requiring spare parts or technical assistance. Space is provided below to record the machine details:

Serial number:	
Year of manufacture:	
Date of delivery:	

If you require further copies of this spare parts manual please
quote part number CLT01157

Note: Parts described as left and right are done so according to the direction that the machine normally travels in.

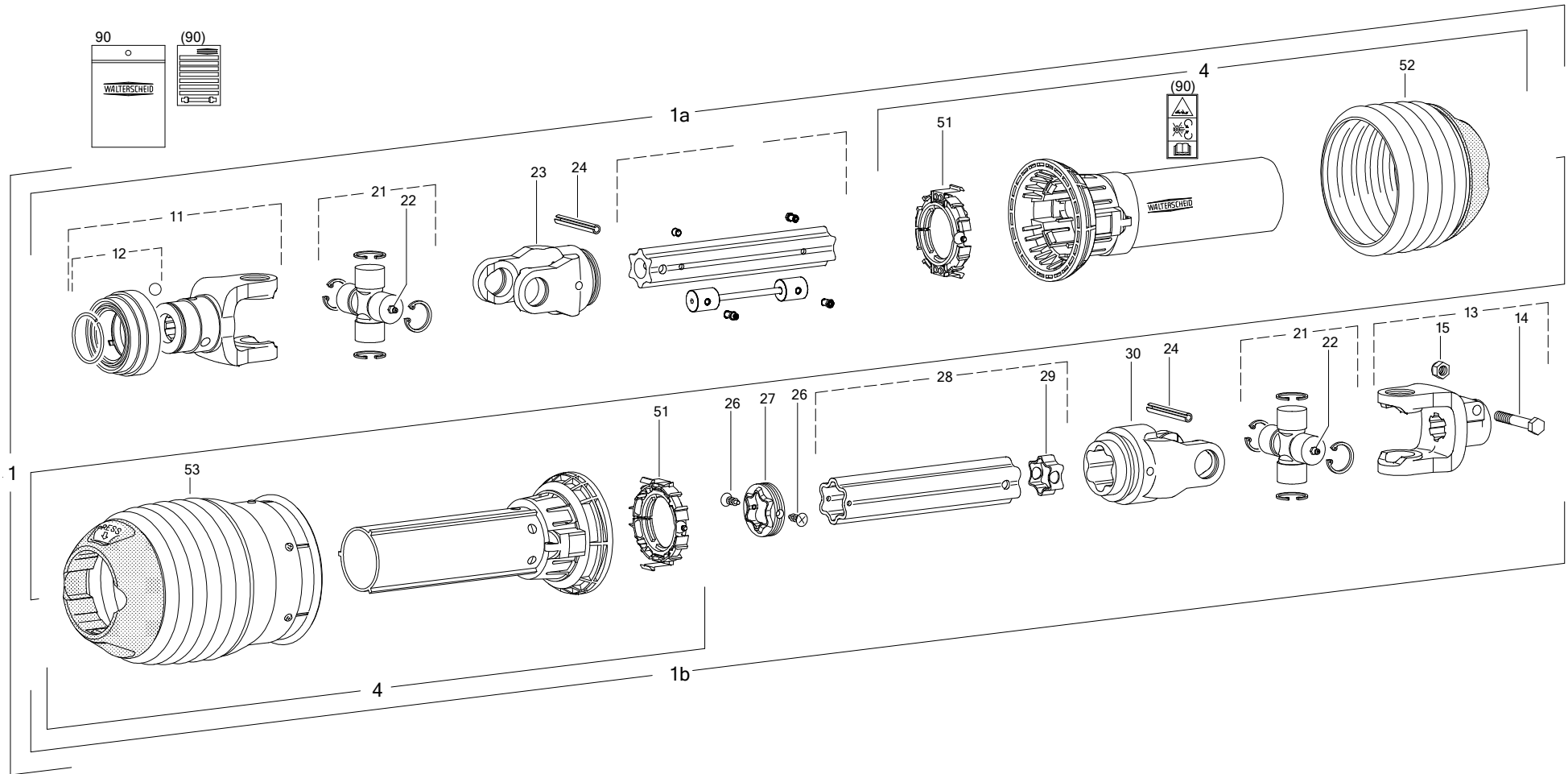
Note: Due to a policy of continuous product development and improvement *McHale Engineering* reserve the right to alter machine specifications without prior notice.

Contents

Section	Page	Document	Section	Page	Document
PTO shafts & Gearboxes			Hydraulic & Electrical		
PTO shaft primary (1140)	6	SPD01140	Diverter Valve [Optional] (1485)	50	SPD01485
PTO shaft secondary RH [Up to Serial No 1002404 only on B9000] (1018)	8	SPD01018	Electrical lighting (989)	52	SPD00989
PTO shaft secondary RH [From Serial No 1002405] (1141)	10	SPD01141	Decals		
PTO shaft secondary LH [Up to Serial No 1002404] (1149)	12	SPD01149	Decals 1 (1201)	54	SPD01201
PTO shaft secondary LH [From Serial No 1002405] (1142)	14	SPD01142	Decals 2 (1203)	56	SPD01203
Gearbox input (1111)	16	SPD01111			
Gearbox RH 2 speed (1102)	18	SPD01102			
Gearbox LH 2 speed (1108)	20	SPD01108			
Chassis					
Headstock frame (1105)	22	SPD01105			
Suspension arm RH (1106)	24	SPD01106			
Suspension arm LH (1109)	26	SPD01109			
Main frame RH (985)	28	SPD00985			
Main frame LH (1110)	30	SPD01110			
Drive Couplings RH (1411)	32	SPD01411			
Drive Couplings LH (1412)	34	SPD01412			
Cutterbar RH (982)	36	SPD00982			
Cutterbar LH (1112)	38	SPD01112			
Discharge unit RH (986)	40	SPD00986			
Discharge unit LH (1113)	42	SPD01113			
Panels RH (987)	44	SPD00987			
Panels LH (1114)	46	SPD01114			
Hydraulic & Electrical					
Hydraulic components (1107)	48	SPD01107			

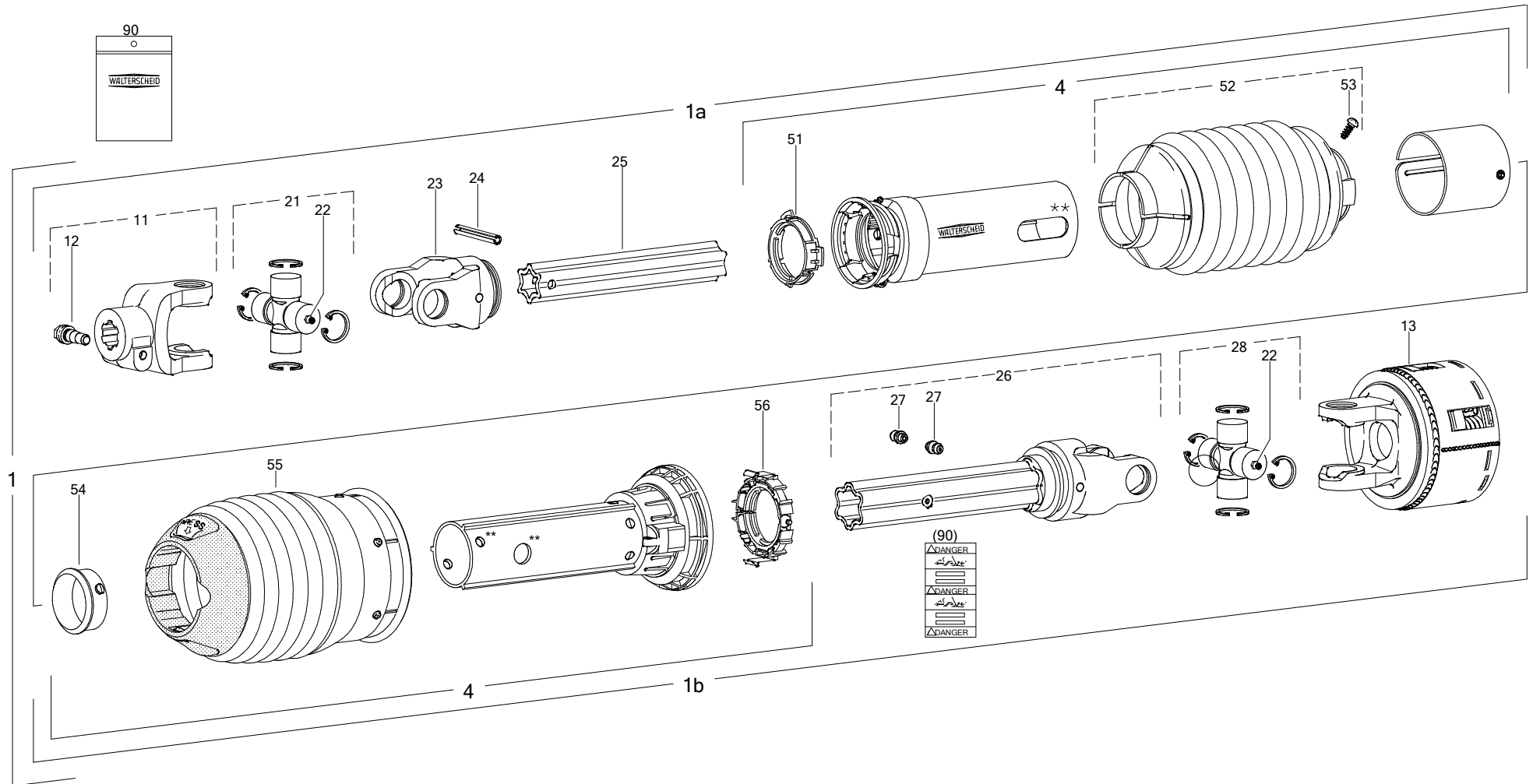
This page is intentionally left blank

PTO shaft primary (1140)



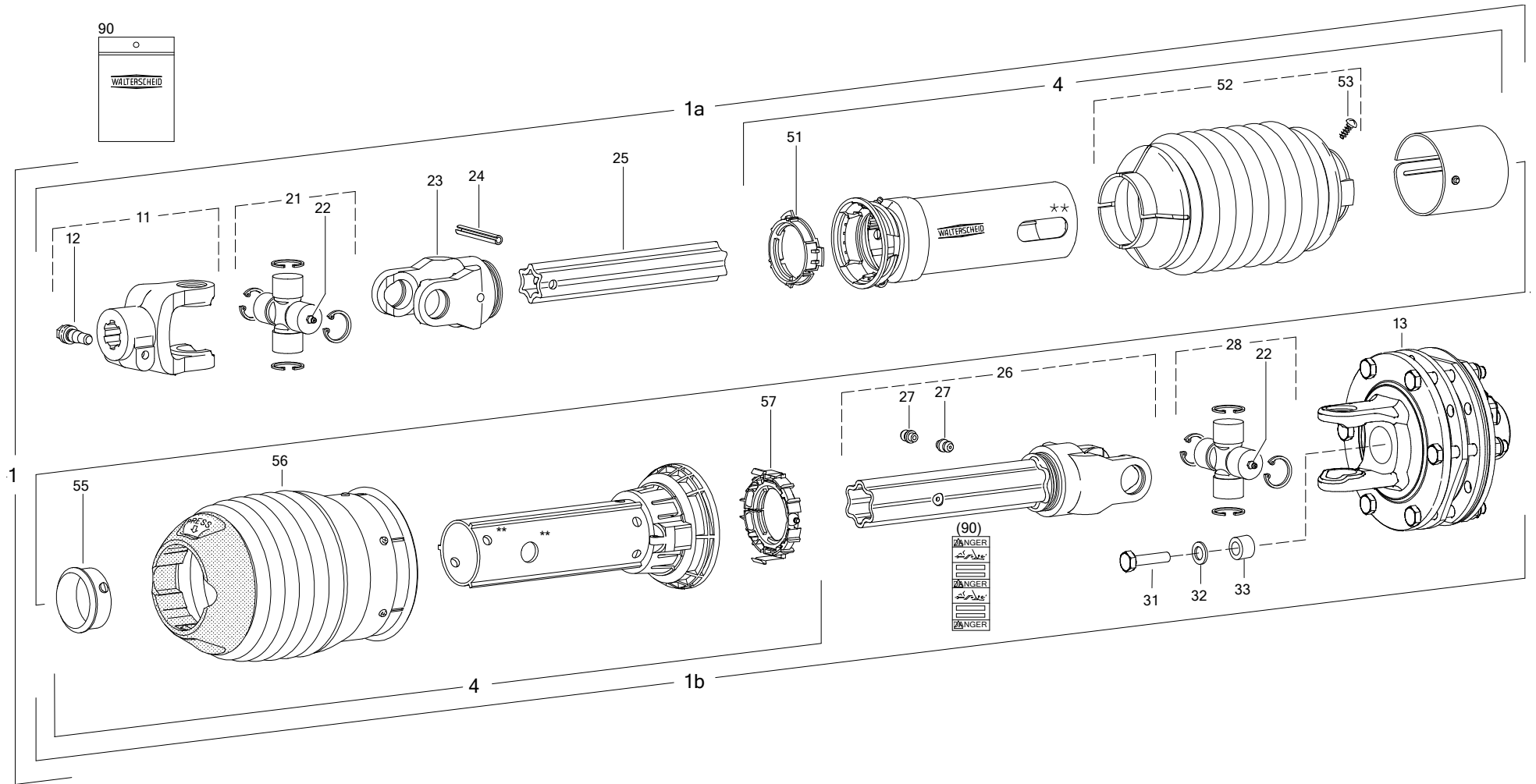
No. Part No	Description	Qty
1 CMT00399	PTO SHAFT BUTTERFLY MOWER MAINDRIVE	1
<i>COMPLETE PTO SHAFT ASM (COMPRISES 1a & 1b)</i>		
4 CGD00432	PTO GUARD PRIMARY SHAFT MOWERS	1
<i>INNER & OUTER GUARDS</i>		
11 CMT00679	YOKE QD COMP 2500 6 SPLINE 1 3/8	1
<i>SUITABLE FOR TRACTOR PTO 6 SPLINE 1 3/8 STUBSHAFT ONLY</i>		
11 CMT00663	YOKE QD COMP 2500 21 SPLINE 1 3/8	1
<i>SUITABLE FOR TRACTOR PTO 21 SPLINE 1 3/8 STUBSHAFT ONLY</i>		
11 CMT00680	YOKE QD COMP 2500 20 SPLINE 1 3/4	1
<i>SUITABLE FOR TRACTOR PTO 20 SPLINE 1 3/4 STUBSHAFT ONLY</i>		
12 CMT00436	LOCK COMPLETE LONG QS TYPE C	1
13 CMT00678	YOKE CLAMP COMP AGKF2500 6 SPLINE 1 3/8	1
14 CFA00928	BOLT M12X75 8.8 Z/P DIN931	1
15 CFA00124	NUT M12 NYLOC	1
21 CMT00240	UNIVERSAL JOINT PTO 2500 P	2
22 CFA00097	GREASE NIPPLE PTO SHAFT	2
23 CMT00450	INBOARD YOKE RG2500-S4 PTO SHAFT	1
24 CFA00871	ROLL PIN 10X90	2
26 CFA01134	SCREW 6X14 P400-PG25 PTO SHAFT	2
27 CMT00440	SEALING RING OUTER PROFILE S5 P400 PTO	1
28 CMT00441	PROFILE TUBE S5H 1000 PTO SHAFT P400	1
29 CMT00442	PLUG PROFILE S5 PTO SHAFT P400	1
30 CMT00220	YOKE PTO	1
51 CMT00242	PTO GUARD RING	2
52 CMT00241	PTO GUARD CONE	1
53 CMT00444	GUARD CONE PTO SHAFT P400	1
90 CST00132	DECAL WARNING PTO SHAFT	1

PTO shaft secondary RH [Up to Serial No 1002404 only on B9000] (1018)



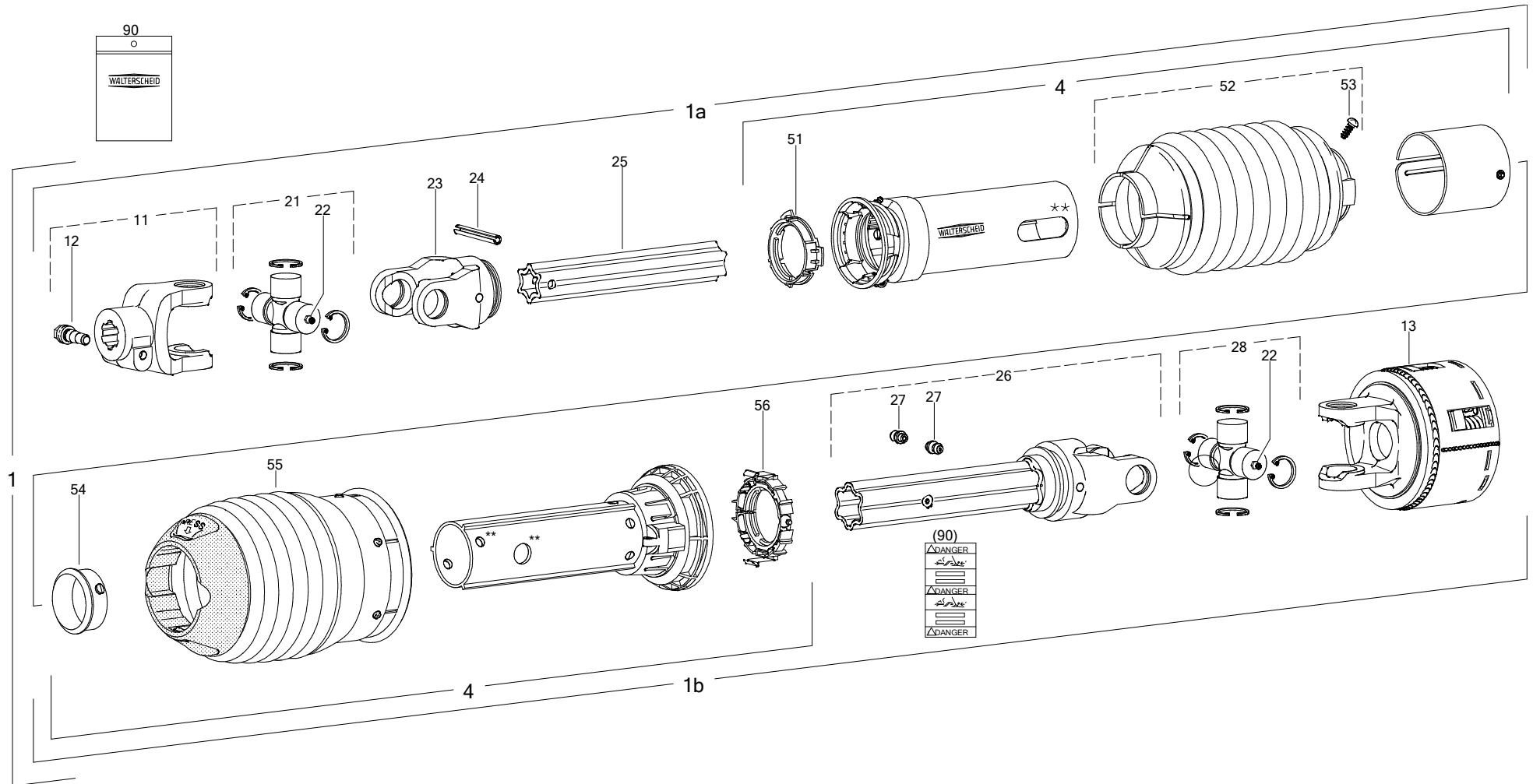
No.	Part No	Description	Qty
1	CMT00392	PTO SHAFT REAR MOWER SECONDARY <i>COMPLETE PTO SHAFT ASM (COMPRISED OF 1a & 1b)</i>	1
4	CGD00434	PTO GUARD SECONDARY REAR COMPLETE <i>INNER & OUTER GUARDS</i>	1
11	CMT00448	YOKE WITH CC LOCK AGCC2500 PTO SHAFT	1
12	CMT00158	CLAMP PIN BALER PTO SHAFT 7540	1
13	CMT00449	CLUTCH FRICTION OVERRUN FK964R2400 RH PTO	1
13a	CMT00400	CLUTCH KIT WALTERSCHEID C4 SERIES <i>CLUTCH REPAIR KIT COMPRISING OF 2 + 4 WEAR DISCS FOR CMT00269</i>	1
13b	CMT00388	CLAMP PIN C3-C4 PTO SHAFT 8494 <i>BOLT-PIN TO SECURE PTO SHAFT TO PTO STUB ON MACHINE GEARBOX</i>	1
13c	CMT00422	CLAMP RING FRICTION CLUTCH <i>CLAMP RING TO SECURE PTO SHAFT TO PTO STUB ON MACHINE GEARBOX</i>	1
13d	CMT00423	SPLIT PIN FOR CLAMP RING <i>ROLL PIN TO SECURE CLAMP RING</i>	1
21	CMT00240	UNIVERSAL JOINT PTO 2500 P	1
22	CFA00097	GREASE NIPPLE PTO SHAFT	2
23	CMT00450	INBOARD YOKE RG2500-S4 PTO SHAFT	1
24	CFA00871	ROLL PIN 10X90	1
25	CMT00451	TUBE PROFILE S4LH-680 PTO SHAFT	1
26	CMT00452	SHAFT & YOKE ASM 2400 S5H-600 PTO	1
27	CMT00453	FITTING GREASE DRIVE-IN TYPE 4-6 PTO	2
28	CMT00091	UNIVERSAL JOINT PTO CROSS 2400	1
51	CMT00095	BEARING RING SMALL FUSION PTO	1
52	CMT00454	GUARD CONE RIBBED PK500-400 PTO SHAFT	1
53	CFA00630	SCREW M4X10 FUSION PTO	2
54	CMT00456	BEARING RING PK500-400 PTO SHAFT	1
55	CMT00457	CONE ADAPTOR 367MM PK500-400 PTO	1
56	CMT00242	PTO GUARD RING	1
90	CST00132	DECAL WARNING PTO SHAFT	1

PTO shaft secondary RH [From Serial No 1002405] (1141)



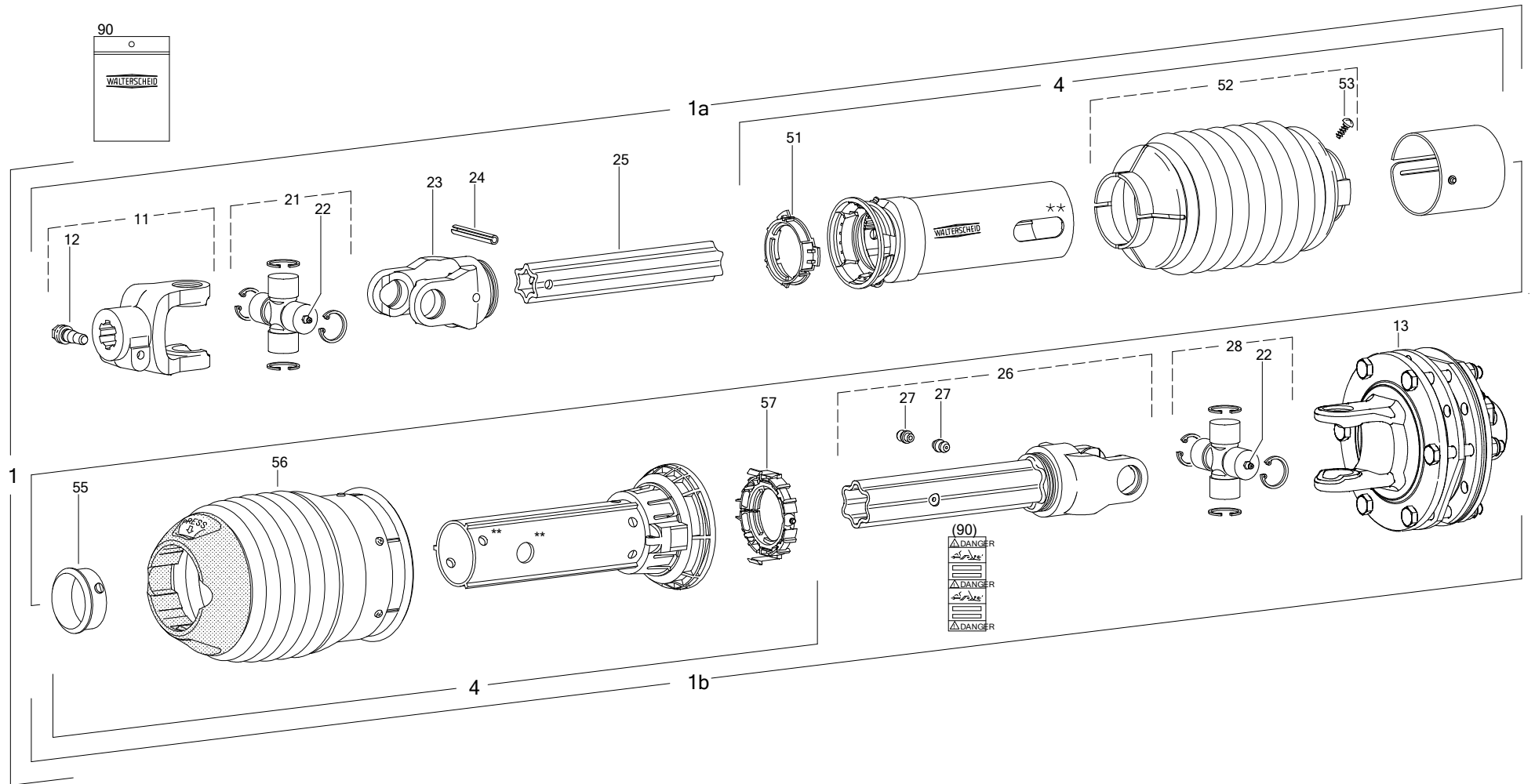
No.	Part No	Description	Qty
1	CMT00475	PTO SHAFT B9000 SECONDARY RIGHT	1
<i>COMPLETE PTO SHAFT ASM (COMPRISES 1a & 1b)</i>			
4	CGD00434	PTO GUARD SECONDARY REAR COMPLETE	1
<i>INNER & OUTER GUARDS</i>			
11	CMT00448	YOKE WITH CC LOCK AGCC2500 PTO SHAFT	1
12	CMT00158	CLAMP PIN BALER PTO SHAFT 7540	1
13	CMT00676	CLUTCH FRICTION OVERRUN RH PTO FK904TFR2400	1
13a	CMT00682	CLUTCH KIT WALTERSCHEID B9000	1
<i>CLUTCH REPAIR KIT (COMPRISING OF 1x DRIVE DISC CMT00683 & 4x WEAR DISCS CMT00684)</i>			
21	CMT00240	UNIVERSAL JOINT PTO 2500 P	1
22	CFA00097	GREASE NIPPLE PTO SHAFT	2
23	CMT00681	INBOARD YOKE RG2500-S4 PTO SHAFT B9000	1
24	CFA00871	ROLL PIN 10X90	1
25	CMT00451	TUBE PROFILE S4LH-680 PTO SHAFT	1
26	CMT00452	SHAFT & YOKE ASM 2400 S5H-600 PTO	1
27	CMT00453	FITTING GREASE DRIVE-IN TYPE 4-6 PTO	2
28	CMT00091	UNIVERSAL JOINT PTO CROSS 2400	1
31	CFA00079	BOLT M12X45 Z/P	1
<i>USED TO ATTACH PTO SHAFT TO PTO STUB ON B9000 GEARBOX FROM SERIAL No 1002405 (REPLACES CFA00184)</i>			
32	CFA00250	WASHER SKM12	1
<i>USED TO ATTACH PTO SHAFT TO PTO STUB ON B9000 GEARBOX FROM SERIAL No 1002405</i>			
33	CMH00745	BUSH 12X25X25	1
<i>USED TO ATTACH PTO SHAFT TO PTO STUB ON B9000 GEARBOX FROM SERIAL No 1002405 (REPLACES CMH01680)</i>			
51	CMT00095	BEARING RING SMALL FUSION PTO	1
52	CMT00454	GUARD CONE RIBBED PK500-400 PTO SHAFT	1
53	CFA00630	SCREW M4X10 FUSION PTO	2
55	CMT00456	BEARING RING PK500-400 PTO SHAFT	1
56	CMT00457	CONE ADAPTOR 367MM PK500-400 PTO	1
57	CMT00242	PTO GUARD RING	1
90	CST00132	DECAL WARNING PTO SHAFT	1

PTO shaft secondary LH [Up to Serial No 1002404] (1149)



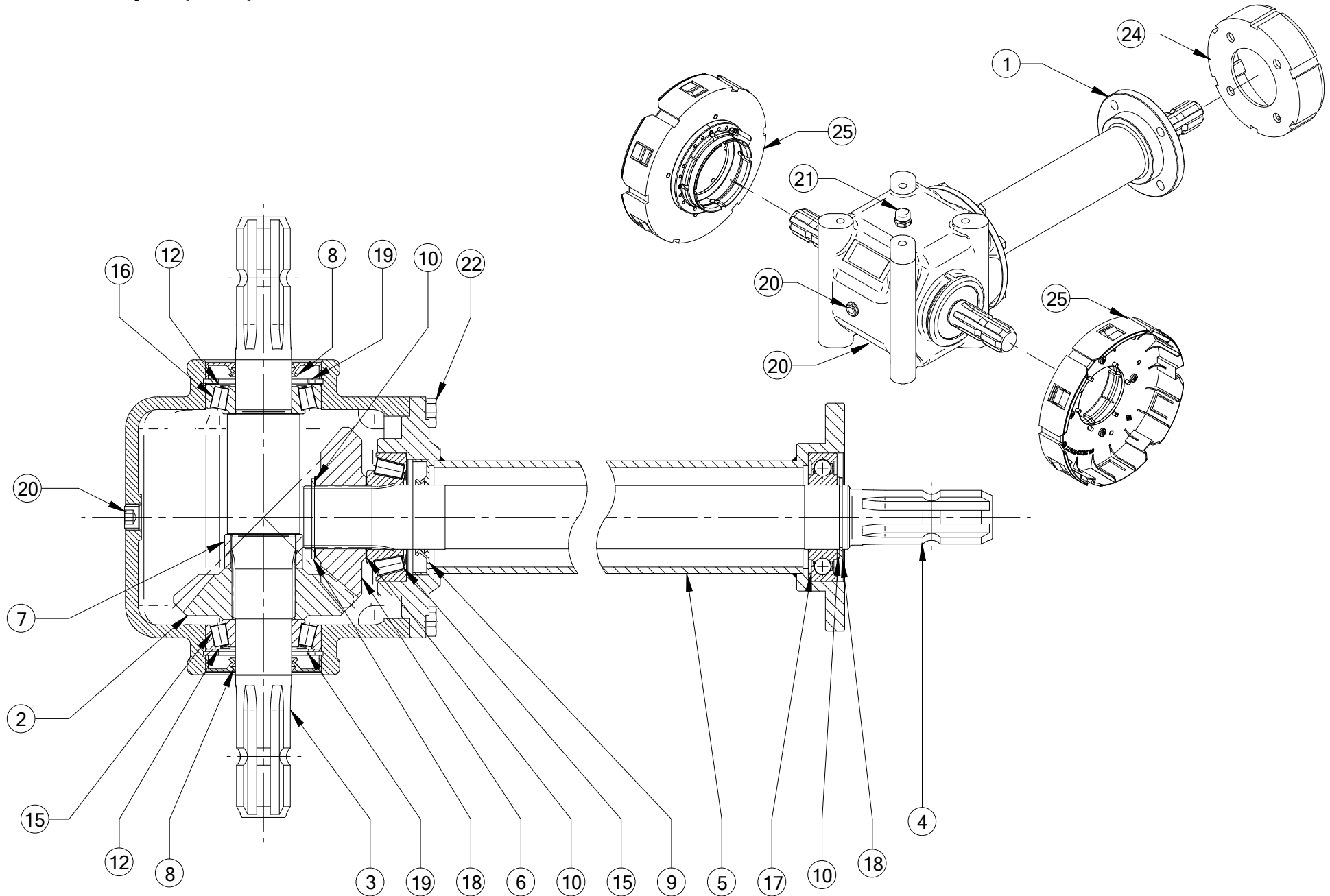
No.	Part No	Description	Qty
1	CMT00397	PTO SHAFT B9000 MOWER SECONDARY LH <i>COMPLETE PTO SHAFT ASM (COMPRISED OF 1a & 1b)</i>	1
4	CGD00434	PTO GUARD SECONDARY REAR COMPLETE <i>INNER & OUTER GUARDS</i>	1
11	CMT00448	YOKE WITH CC LOCK AGCC2500 PTO SHAFT	1
12	CMT00158	CLAMP PIN BALER PTO SHAFT 7540	1
13	CMT00000	CLUTCH FRICTION LH - NOT AVAILABLE <i>LH CLUTCH ASM NOT AVAILABLE - ORDER COMPLETE SHAFT CMT00397</i>	1
13a	CMT00400	CLUTCH KIT WALTERSCHEID C4 SERIES <i>CLUTCH REPAIR KIT COMPRISING OF 2 + 4 WEAR DISCS FOR CMT00269</i>	1
13b	CMT00388	CLAMP PIN C3-C4 PTO SHAFT 8494 <i>BOLT-PIN TO SECURE PTO SHAFT TO PTO STUB ON MACHINE GEARBOX</i>	1
13c	CMT00422	CLAMP RING FRICTION CLUTCH <i>CLAMP RING TO SECURE PTO SHAFT TO PTO STUB ON MACHINE GEARBOX</i>	1
13d	CMT00423	SPLIT PIN FOR CLAMP RING <i>ROLL PIN TO SECURE CLAMP RING</i>	1
21	CMT00240	UNIVERSAL JOINT PTO 2500 P	1
22	CFA00097	GREASE NIPPLE PTO SHAFT	2
23	CMT00450	INBOARD YOKE RG2500-S4 PTO SHAFT	1
24	CFA00871	ROLL PIN 10X90	1
25	CMT00451	TUBE PROFILE S4LH-680 PTO SHAFT	1
26	CMT00452	SHAFT & YOKE ASM 2400 S5H-600 PTO	1
27	CMT00453	FITTING GREASE DRIVE-IN TYPE 4-6 PTO	2
28	CMT00091	UNIVERSAL JOINT PTO CROSS 2400	1
51	CMT00095	BEARING RING SMALL FUSION PTO	1
52	CMT00454	GUARD CONE RIBBED PK500-400 PTO SHAFT	1
53	CFA00630	SCREW M4X10 FUSION PTO	2
54	CMT00456	BEARING RING PK500-400 PTO SHAFT	1
55	CMT00457	CONE ADAPTOR 367MM PK500-400 PTO	1
56	CMT00242	PTO GUARD RING	1
90	CST00132	DECAL WARNING PTO SHAFT	1

PTO shaft secondary LH [From Serial No 1002405] (1142)



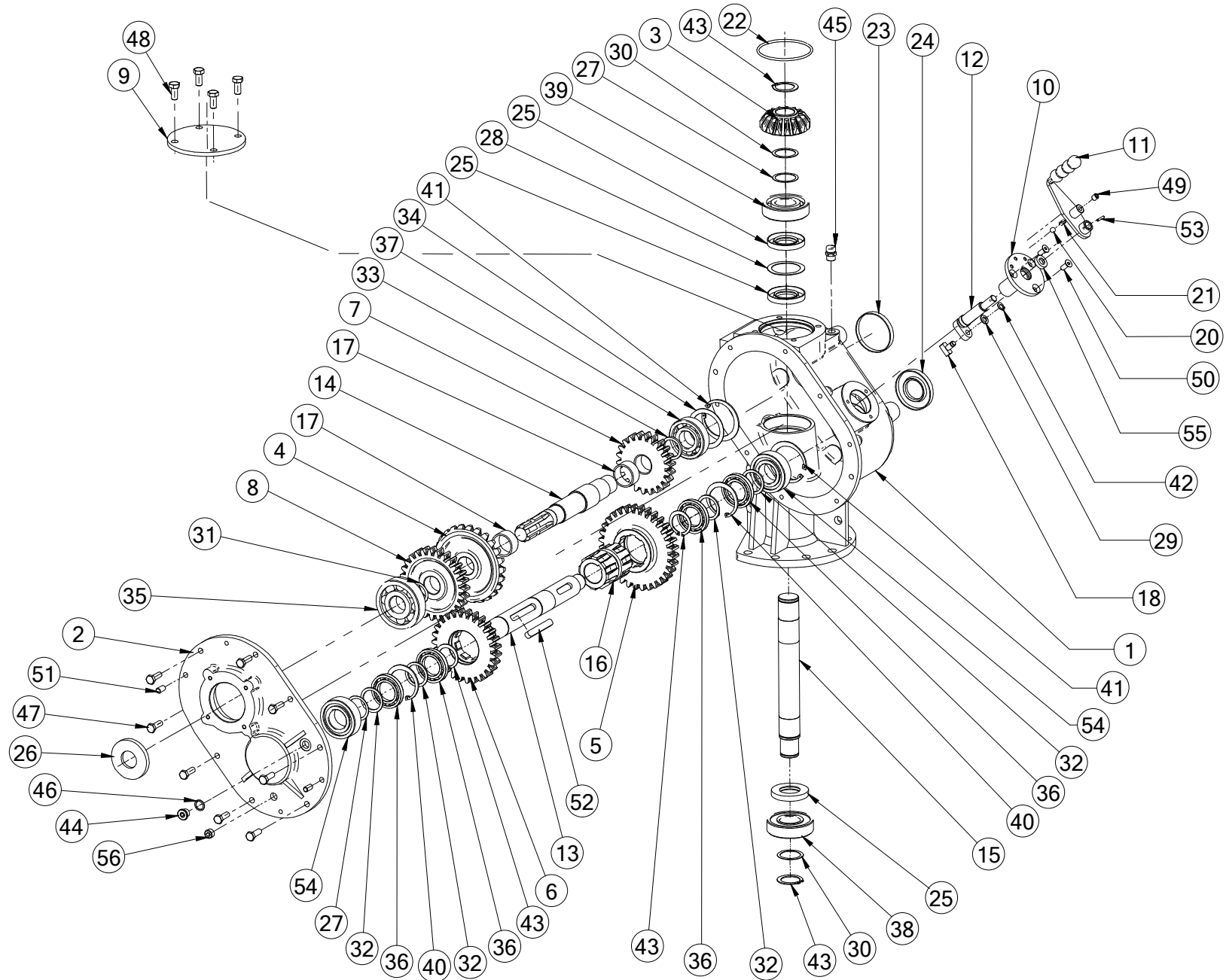
No.	Part No	Description	Qty
1	CMT00476	PTO SHAFT B9000 SECONDARY LEFT	1
<i>COMPLETE PTO SHAFT ASM (COMPRISES 1a & 1b)</i>			
4	CGD00434	PTO GUARD SECONDARY REAR COMPLETE	1
<i>INNER & OUTER GUARDS</i>			
11	CMT00448	YOKE WITH CC LOCK AGCC2500 PTO SHAFT	1
12	CMT00158	CLAMP PIN BALER PTO SHAFT 7540	1
13	CMT00677	CLUTCH FRICTION OVERRUN LH PTO FK904TFL2400	1
13a	CMT00682	CLUTCH KIT WALTERSCHEID B9000	1
<i>CLUTCH REPAIR KIT (COMPRISING OF 1x DRIVE DISC CMT00683 & 4x WEAR DISCS CMT00684)</i>			
13b	CFA00079	BOLT M12X45 Z/P	1
<i>USED TO ATTACH PTO SHAFT TO PTO STUB ON B9000 GEARBOX FROM SERIAL No 1002405 (REPLACES CFA00184)</i>			
13c	CFA00250	WASHER SKM12	1
<i>USED TO ATTACH PTO SHAFT TO PTO STUB ON B9000 GEARBOX FROM SERIAL No 1002405</i>			
13d	CMH01680	BUSH 12X25X12	1
<i>USED TO ATTACH PTO SHAFT TO PTO STUB ON B9000 GEARBOX FROM SERIAL No 1002405 (REPLACES CMH00745)</i>			
21	CMT00240	UNIVERSAL JOINT PTO 2500 P	1
22	CFA00097	GREASE NIPPLE PTO SHAFT	2
23	CMT00681	INBOARD YOKE RG2500-S4 PTO SHAFT B9000	1
24	CFA00871	ROLL PIN 10X90	1
25	CMT00451	TUBE PROFILE S4LH-680 PTO SHAFT	1
26	CMT00452	SHAFT & YOKE ASM 2400 S5H-600 PTO	1
27	CMT00453	FITTING GREASE DRIVE-IN TYPE 4-6 PTO	2
28	CMT00091	UNIVERSAL JOINT PTO CROSS 2400	1
51	CMT00095	BEARING RING SMALL FUSION PTO	1
52	CMT00454	GUARD CONE RIBBED PK500-400 PTO SHAFT	1
53	CFA00630	SCREW M4X10 FUSION PTO	2
55	CMT00456	BEARING RING PK500-400 PTO SHAFT	1
56	CMT00457	CONE ADAPTOR 367MM PK500-400 PTO	1
57	CMT00242	PTO GUARD RING	1
90	CST00132	DECAL WARNING PTO SHAFT	1

Gearbox input (1111)



No.	Part No	Description	Qty
1	CMT00412	GEARBOX MOWER INPUT B9000 <i>COMPLETE GEARBOX ASSEMBLY (DOES NOT INCLUDE ITEMS 24 & 25)</i>	1
2	CMH03072	GEAR BEVEL Z21	1
3	CMT00477	OUTPUT SHAFT CMT00412 GEARBOX	1
4	CMH03067	SHAFT LONG <i>REPLACES CMT00553 SHAFT</i>	1
5	CMT00554	EXTENSION HOUSING CMT00412	1
6	CMH03073	GEAR BEVEL Z21 PINION	1
7	CMT00555	SPACER SLEEVE	1
8	CSE00633	OIL SEAL RADIAL 40X80X10	2
9	CSE00839	SEAL OIL AS 40X72X10 DIN 3760	1
10	CFA01230	SHIM 40X50X0.5 DIN 988	3
12	CFA01226	SHIM 63X80X0.5 DIN 988	2
15	CBR00373	BEARING TAPER 32208 (40X80X24.75)	2
16	CBR00372	BEARING TAPER 30208 (40X80X19.75)	1
17	CBR00037	BEARING 6208 2RS1 DIN 625	1
18	CFA00551	CIRCLIP 40MM EXTERNAL DIN 471	2
19	CFA00882	CIRCLIP 80MM INTERNAL DIN 472	2
20	CFA01222	PLUG 3/8 TAPER DIN 906	2
21	CMT00478	3/8" BREATHER MODEL 33A <i>FILLER BREATHER PLUG</i>	1
22	CFA00311	SETSCREW M10X35 Z/P	8
24	CMT00394	PTO SHAFT MOWERBED GUARD SEC DRIVE	1
25	CMT00395	PTO SHAFT GEARBOX ADAPTOR RING	2

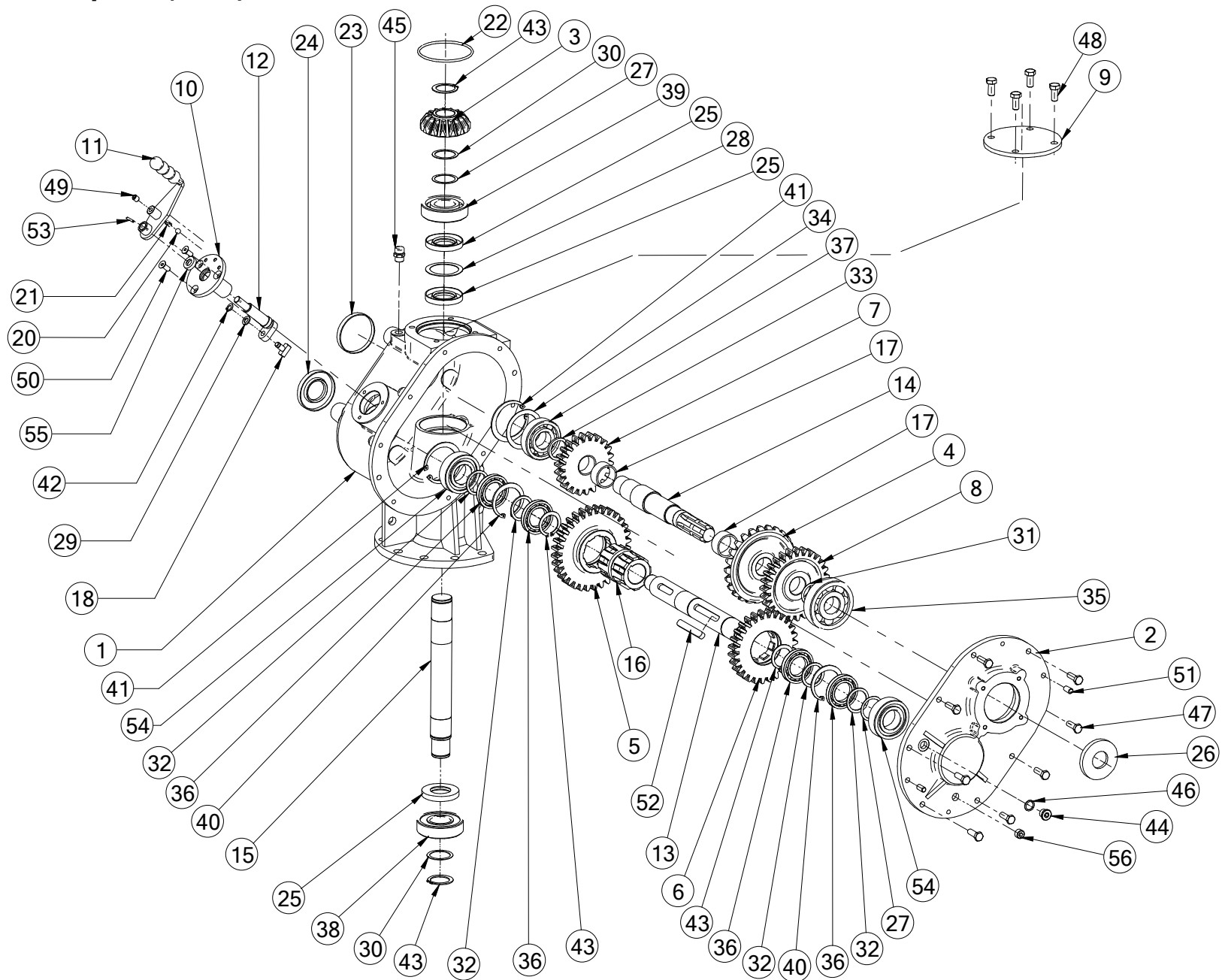
Gearbox RH 2 speed (1102)



No.	Part No	Description	Qty
1	CMT00361	CONDITIONER GEARBOX FRONT MOWER 2 SPD <i>USED ON F3100 FRONT MOWER ONLY</i>	1
1	CMT00380	GEARBOX REAR MWR 2 SPD CONDR <i>USED ON R3100/B9000 REAR MOWERS ONLY</i>	1
2	CMT00533	GEARBOX COVER PLATE	1
3	CMH03058	GEAR BEVEL Z15	1
4	CMH03059	GEAR BEVEL Z25	1
5	CMH03060	GEAR SPUR Z32	1
6	CMH03061	GEAR SPUR Z27	1
7	CMH03062	GEAR SPUR Z22	1
8	CMH03063	GEAR SPUR Z27	1
9	CMH03064	GEARBOX LID <i>USED ON R3100/B9000 MODELS ONLY</i>	1
10	CMT00534	GEARBOX SELECTOR COVER ASSY	1
11	CMT00535	GEARBOX SELECTOR HANDLE ASSY	1
12	CTP00583	STUBSHAFT GEAR SELECTOR	1
13	CMT00536	SHAFT CONDITIONER OUTPUT	1
14	CMT00415	SHAFT PTO INPUT GEARBOX R3100 <i>USED ON R3100/B9000 GEARBOX CMT00380 ONLY</i>	1
14	CMT00544	SHAFT IDLE GEARBOX <i>USED ON F3100 GEARBOX CMT00361 ONLY</i>	1
15	CMT00537	SHAFT OUTPUT GEARBOX	1
16	CMT00538	SLIDING SELECTOR SLEEVE	1
17	CMT00539	SPACER SLEEVE	2
18	CMT00540	SELECTOR FORK/KEY	1
20	CTP00755	10MM BEARING BALL	1
21	CSG00328	SPRING COMPRESSION	1
22	CSE00838	O-RING 100X4	1
23	CSE00629	CAP SEAL CORE PLUG 80X10	1
24	CSE00633	OIL SEAL RADIAL 40X80X10	1
25	CSE00839	SEAL OIL AS 40X72X10 DIN 3760	3
26	CSE00132	SEAL RADIAL 35X80X10 DIN 3760 <i>USED ON R3100/B9000 GEARBOX CMT00380 ONLY</i>	1
27	CFA01230	SHIM 40X50X0.5	2
28	CFA01211	SHIM 56X72X1 DIN 988	1
29	CFA01212	SHIM 10X16X2 DIN988	1
30	CFA00265	SHIM 40X50X1.0 DIN988	2
31	CFA02259	SHIM 35X45X.5 DIN988	1
32	CFA01213	SHIM SS 40X50X2.5 DIN988	4
33	CMT00541	GEAR SPACER	1
34	CFA01214	SHIM 63X80X1 DIN988	1
35	CBR00386	BEARING 6407	1
36	CBR00387	BEARING 16008	4
37	CBR00335	BEARING GROOVE 6307 2RS NR SKF	1
38	CBR00286	BEARING 6308 2RS	1
39	CBR00331	BEARING 6308	1
40	CFA01215	CIRCLIP INTERNAL W 68	2
41	CFA00882	CIRCLIP 80MM INTERNAL DIN 472	2
42	CFA00499	CIRCLIP 10MM EXTERNAL	1
43	CFA00551	CIRCLIP 40MM EXTERNAL DIN 471	4

44	CFA01216	PLUG G3/8 DIN908	1
45	CMT00478	PLUG 3/8" BREATHER MODEL 33A	1
45a	CMT00566	3/8 BREATHER 40MM TUBE <i>EXTENSION BREATHER TUBE</i>	1
46	CFA01217	WASHER ALUMINIUM 1.5X17X22	1
47	CFA00025	SETSCREW M10X30 Z/P	8
48	CFA00031	SETSCREW M12X25 Z/P <i>USED TO ATTACH GEARBOX LID ON R3100/B9000 GEARBOX CMT00380 ONLY</i>	4
48	CFA00032	SETSCREW M12X30 Z/P <i>USED TO ATTACH INPUT DRIVE GEARBOX ON F3100 GEARBOX CMT00361 ONLY</i>	4
49	CFA01218	GRUBSCREW M10X10 8.8 DIN913	1
50	CFA00765	SETSCREW M8X20 CSK Z/P DIN7991	3
51	CFA01219	CYLINDRICAL PIN 10M6X20	2
52	CFA01220	KEY A 12X8X86	1
53	CFA01221	ROLL PIN 4X22	1
54	CBR00388	BEARING 4208	2
55	CSE00840	SEAL RADIAL SHAFT AS 14X26X7	1
56	CFA01222	PLUG 3/8 TAPER DIN 906	1

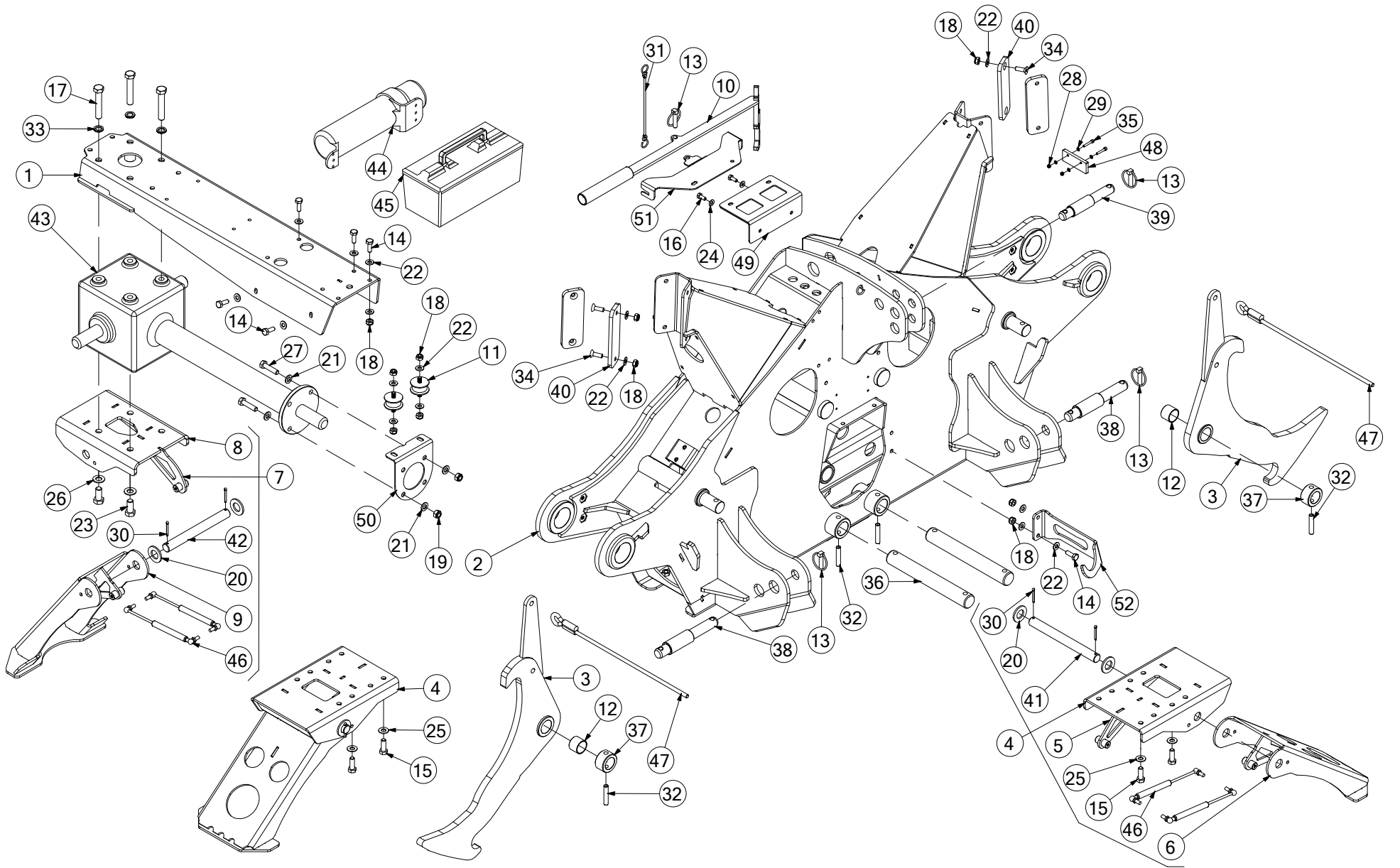
Gearbox LH 2 speed (1108)



No.	Part No	Description	Qty
1	CMT00385	GEARBOX MOWER 2 SPEED COND DRIVE B9000	1
<i>USED ON B9000 LH MOWER ONLY</i>			
2	CMT00533	GEARBOX COVER PLATE	1
3	CMH03058	GEAR BEVEL Z15	1
4	CMH03059	GEAR BEVEL Z25	1
5	CMH03060	GEAR SPUR Z32	1
6	CMH03061	GEAR SPUR Z27	1
7	CMH03062	GEAR SPUR Z22	1
8	CMH03063	GEAR SPUR Z27	1
9	CMH03064	GEARBOX LID	1
<i>USED ON R3100/B9000 MODELS ONLY</i>			
10	CMT00534	GEARBOX SELECTOR COVER ASSY	1
11	CMT00535	GEARBOX SELECTOR HANDLE ASSY	1
12	CTP00583	STUBSHAFT GEAR SELECTOR	1
13	CMT00536	SHAFT CONDITIONER OUTPUT	1
14	CMT00415	SHAFT PTO INPUT GEARBOX R3100	1
15	CMT00537	SHAFT OUTPUT GEARBOX	1
16	CMT00538	SLIDING SELECTOR SLEEVE	1
17	CMT00539	SPACER SLEEVE	2
18	CMT00540	SELECTOR FORK/KEY	1
20	CTP00755	10MM BEARING BALL	1
21	CSG00328	SPRING COMPRESSION	1
22	CSE00838	O-RING 100X4	1
23	CSE00629	CAP SEAL CORE PLUG 80X10	1
24	CSE00633	OIL SEAL RADIAL 40X80X10	1
25	CSE00839	SEAL OIL AS 40X72X10 DIN 3760	3
26	CSE00132	SEAL RADIAL 35X80X10 DIN 3760	1
27	CFA01230	SHIM 40X50X0.5	2
28	CFA01211	SHIM 56X72X1 DIN 988	1
29	CFA01212	SHIM 10X16X2 DIN988	1
30	CFA00265	SHIM 40X50X1.0 DIN988	2
31	CFA02259	SHIM 35X45X.5 DIN988	1
32	CFA01213	SHIM SS 40X50X2.5 DIN988	4
33	CMT00541	GEAR SPACER	1
34	CFA01214	SHIM 63X80X1 DIN988	1
35	CBR00386	BEARING 6407	1
36	CBR00387	BEARING 16008	4
37	CBR00335	BEARING GROOVE 6307 2RS NR SKF	1
38	CBR00286	BEARING 6308 2RS	1
39	CBR00331	BEARING 6308	1
40	CFA01215	CIRCLIP INTERNAL W 68	2
41	CFA00882	CIRCLIP 80MM INTERNAL DIN 472	2
42	CFA00499	CIRCLIP 10MM EXTERNAL	1
43	CFA00551	CIRCLIP 40MM EXTERNAL DIN 471	4
44	CFA01216	PLUG G3/8 DIN908	1
45	CMT00478	PLUG 3/8" BREATHER MODEL 33A	1
45a	CMT00566	3/8 BREATHER 40MM TUBE	1
<i>EXTENSION BREATHER TUBE</i>			
46	CFA01217	WASHER ALUMINIUM 1.5X17X22	1

47	CFA00025	SETSCREW M10X30 Z/P	8
48	CFA00031	SETSCREW M12X25 Z/P	4
49	CFA01218	GRUBSCREW M10X10 8.8 DIN913	1
50	CFA00765	SETSCREW M8X20 CSK Z/P DIN7991	3
51	CFA01219	CYLINDRICAL PIN 10M6X20	2
52	CFA01220	KEY A 12X8X86	1
53	CFA01221	ROLL PIN 4X22	1
54	CBR00388	BEARING 4208	2
55	CSE00840	SEAL RADIAL SHAFT AS 14X26X7	1
56	CFA01222	PLUG 3/8 TAPER DIN 906	1

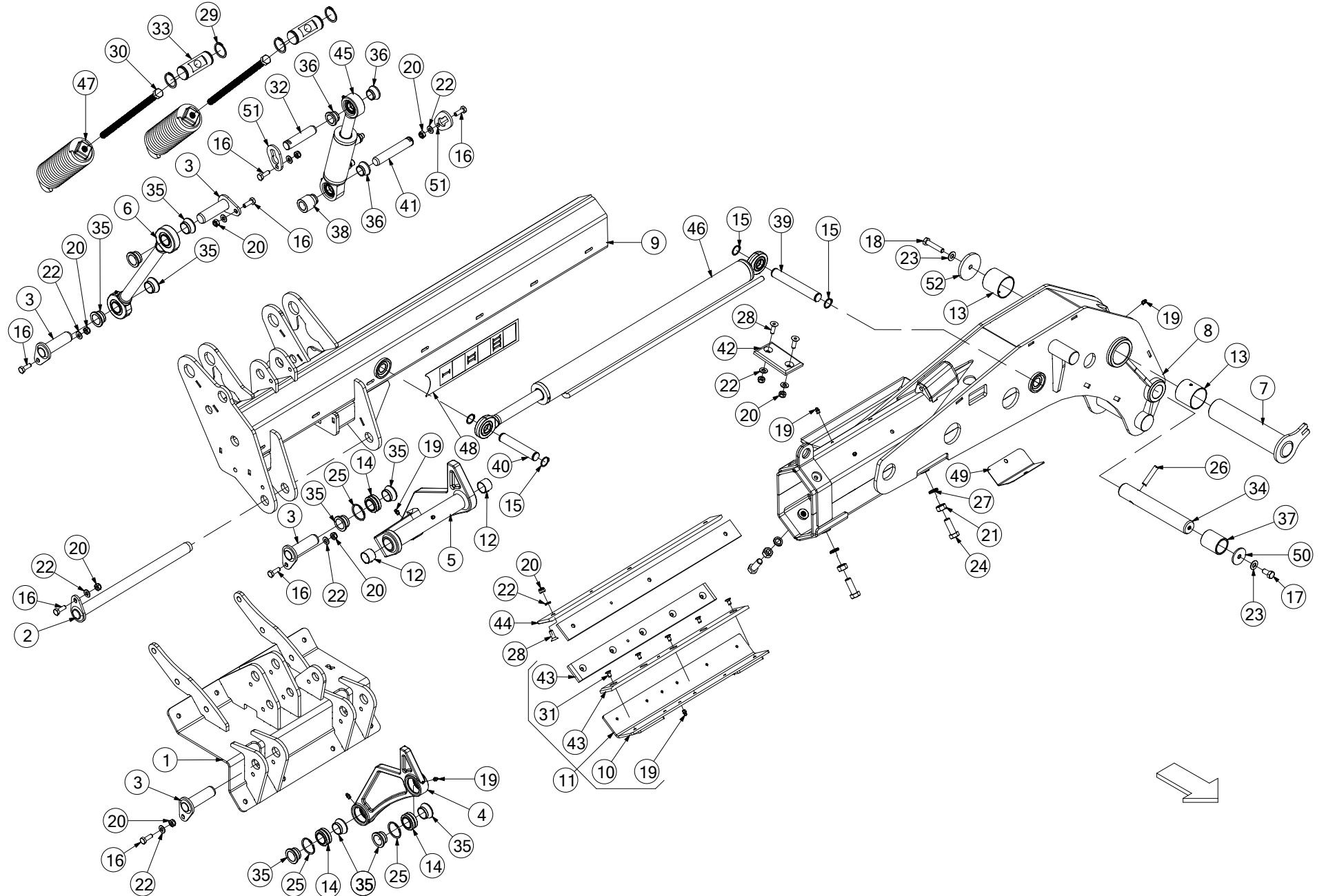
Headstock frame (1105)



No.	Part No	Description	Qty
1	ACH01596	B9000 GEARBOX MOUNT BRKT	1
2	ACH01711	B9000 MOWER FRAME WELD ASSY	1
3	ALA00743	SAFETY LATCH BUTTERFLY MOWER	2
<i>INCLUDES BUSHING ITEM 12</i>			
4	ALA00973	FOLD UP STAND MOWER B9000	2
<i>ASSEMBLY DOES NOT INCLUDE ITEMS 15 OR 25</i>			
5	ALA00974	FOLD UP STAND MOWER BASE WELD ASSY	2
6	ALA00975	FOLD UP STAND LEG SHORT WELD ASSY	2
7	ALA00976	FOLD UP STAND REAR B9000	1
<i>ASSEMBLY DOES NOT INCLUDE ITEMS 23 OR 26</i>			
8	ALA00977	FOLD UP STAND MOWER BASE WELD ASSY	1
9	ALA00978	FOLD UP STAND LEG WELD ASSY B9000	1
10	ALA01055	MOWER BLADE RELEASE HANDLE	1
11	CBE00345	RUBBER BUFFER 50X26 M10	2
12	CBR02000	BEARING VAR BALER	2
13	CFA00005	LINCH PIN 10MM	4
14	CFA00025	SETSCREW M10X30	12
15	CFA00033	SETSCREW M12X35 Z/P	8
16	CFA00052	SETSCREW M8X20 Z/P	2
17	CFA01198	BOLT M16X90 Z/P 10.9 DIN 931	4
18	CFA00123	NUT M10 NYLOC	24
19	CFA00124	NUT M12 NYLOC	4
20	CFA00135	WASHER FLAT 1" Z/P	6
21	CFA00138	WASHER FLAT 12MM Z/P	8
22	CFA00201	WASHER FLAT 10 MM Z/P	36
23	CFA00229	SETSCREW M16X35 Z/P	4
24	CFA00249	WASHER SKM8	2
25	CFA00250	WASHER SKM12	8
26	CFA00252	WASHER SKM16	4
27	CFA00270	SETSCREW M12X50 Z/P	4
28	CFA00321	NUT M5 NYLOC	2
29	CFA00337	WASHER FLAT 5MM Z/P	4
30	CFA00475	SPLIT PIN 5X40 Z/P	6
31	CFA00476	RUBBER STRAP 240 MM	1
32	CFA00504	ROLL PIN 12X60 Z/P	6
33	CFA00783	WASHER NL16 NORD-LOCK	4
34	CFA00908	SETSCREW M10X25 CSK HEX Z/P	8
35	CFA00913	BOLT M5X30 SOC CAP Z/P	2
36	CMH01616	SHAFT 40X300 Z/P	2
37	CMH01622	BUSH 40X60X30 Z/P	2
38	CMH01644	PIN CAT 2/3 LOWER LINK	2
39	CMH01645	PIN CAT 2/3 UPPER LINK	1
40	CMH01712	10MM WEAR PLATE TRANSPORT LATCH	4
41	CMH01937	PIN 25X250	2
42	CMH01938	PIN 25X235	1
43	CMT00412	GEARBOX MOWER INPUT B9000	1
44	CPL00221	MACHINE MANUAL HOLDER CIRCULAR	1
45	CPL00222	TOOL BOX PLASTIC (SERKO)	1
46	CRA00781	GAS STRUT 245-80 500N	6

47	CTP00491	PULL ROPE MOWER TRANSPORT LATCH	2
47a	CFA02217	D SHACKLE 0.5T Z/P	2
48	CTP00598	BALL INCLINOMETER +/-10 DEG	1
49	CZC02559	3MM TOOLBOX BRACKET FUSION VARIO	1
50	CZC05307	3MM B9000 GEARBOX FLANGE BRKT	1
51	CZC05346	3MM TOOL BOX + HANDLE BRKT	1
52	CZF07115	6MM PTO STAND MOWER	1

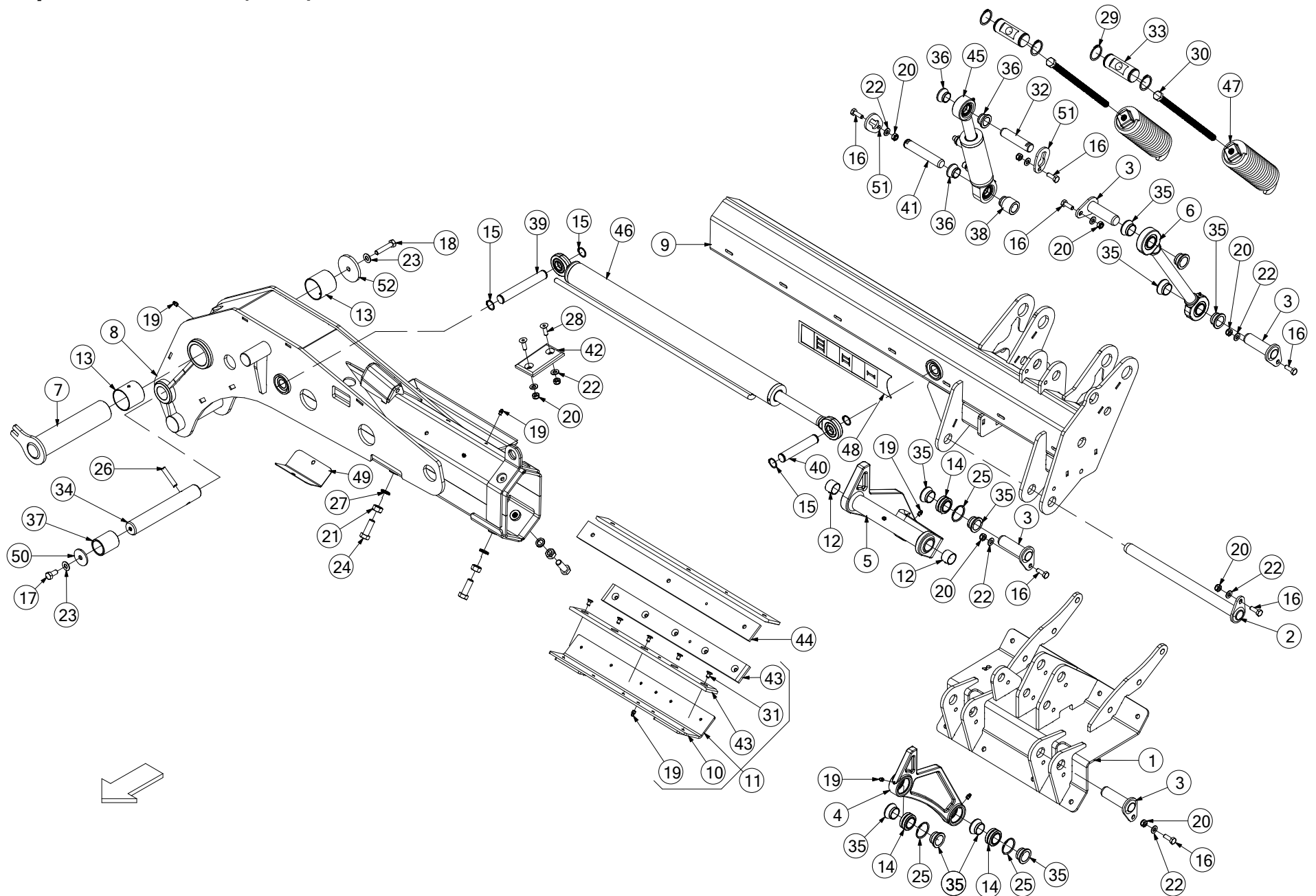
Suspension arm RH (1106)



No.	Part No	Description	Qty
0	ALA01065	ARM SUSPENSION RH TELESCOPIC ASM	1
<i>COMPLETE ARM ASSEMBLY</i>			
1	ACH01661	REAR MOWER CONNECTING BRACKET R/H	1
2	ALA00730	PIN 30X445 WELD ON CAP	1
3	ALA00748	PIN 30X105 MOWER SUSPENSION	4
4	ALA00782	LINK ARM SIDE MOUNT MOWER	1
<i>INCLUDES ITEMS 14, 19 & 25</i>			
5	ALA00783	LINK ARM A FRAME MOWER	1
<i>INCLUDES ITEMS 12, 14, 19 & 25</i>			
6	ALA00882	LINK ARM 390MM SIDE MOUNT MOWER	1
7	CMH01616	SHAFT 40X300 Z/P	1
<i>UP TO SERIAL No 1002390</i>			
7a	CFA02370	ROLL PIN 12X80 Z/P	2
<i>UP TO SERIAL No 1002390</i>			
7	ALA01022	PIN ASSY 60X285 B9000 MOWER	1
<i>FROM SERIAL No 1002391</i>			
8	ALA01061	SUSPENSION PIVOT ARM HD/ R	1
9	ALA01062	SUSPENSION SLIDER ARM HD/ R	1
10	ALA01066	SLIDE WELD ASSY TELESCOPIC ARM	1
11	ALA01067	TELESCOPIC SLIDE WEAR PLATE COMP ASM	1
<i>INCLUDES ITEMS 10, 19, 31 & 43</i>			
12	CBR00007	BEARING GLACIER PM 3025 DX	2
13	CBR00082	BEARING GLACIER PM 4040 SY	2
<i>UP TO SERIAL No 1002390</i>			
13	CBR00019	BEARING GLACIER PM 6060	2
<i>FROM SERIAL No 1002391</i>			
14	CBR00127	BEARING SPHERICAL 30MM GE30ES 2RS	3
15	CFA00001	CIRCLIP 25MM EXTERNAL Z/P	4
16	CFA00025	SETSCREW M10X30	7
17	CFA00031	SETSCREW M12X25 Z/P	1
18	CFA00076	BOLT M12X60 Z/P	1
19	CFA00118	GREASE NIPPLE M8X1.25 STRAIGHT	9
20	CFA00123	NUT M10 NYLOC	15
21	CFA00127	NUT M16	4
22	CFA00201	WASHER FLAT 10 MM Z/P	15
23	CFA00250	WASHER SKM12	2
24	CFA00282	BOLT M16X45	4
25	CFA00458	47MM INTERNAL CIRCLIP DIN 472	3
26	CFA00504	ROLL PIN 12X60 Z/P	1
27	CFA00783	WASHER NL16 NORD-LOCK	4
28	CFA00908	SETSCREW M10X25 CSK HEX Z/P	8
29	CFA01079	CIRCLIP 40MM EXTERNAL STAINLESS STEEL	4
30	CFA01089	BOLT M16X340 Z/P	2
30a	CFA00782	WASHER PEINER M16 GALV DIN6916	2
<i>WASHER POSITIONED UNDER BOLT HEAD (REPLACES CFA00140)</i>			
31	CFA01206	SETSCREW M8X14 CSK HEX Z/P	10
32	CMH00443	PIN 25 X 110 MILLED FOR CAP Z/P	1
33	CMH01593	PIN 40X105 Z/P	2
34	CMH01618	SHAFT 40X263 Z/P	1
35	CMH01641	BUSH 30X45X21 Z/P	10
36	CMH01643	BUSH 25X40X21 Z/P	3

37	CMH01685	BUSH 40X50X60 Z/P	1
38	CMH01718	BUSH 25X40X47 Z/P	1
<i>UP TO SERIAL No 1004379</i>			
38	CMH01643	BUSH 25X40X21 Z/P	1
<i>FROM SERIAL No 1004380</i>			
39	CMH01931	PIN 25X175 Z/P	1
40	CMH01932	PIN 25X136 Z/P	1
41	CMH01951	PIN 25X140 MILLED FOR CAP Z/P	1
<i>UP TO SERIAL No 1004379 (REPLACES CMH00675)</i>			
41	CMH03303	PIN 25X110 MILLED FOR CAP Z/P	1
<i>FROM SERIAL No 1004380 (CAN ALSO USE CMH00443)</i>			
42	CPL00264	MOWER SLIDE PLATE HDPE	1
43	CPL00285	WEAR STRIP POM C 540X55X10	2
44	CPL00286	WEAR STRIP POM C 680X55X10	2
45	CRA00801	RAM MOWER SUSPENSION HD	1
45a	CVA00465	FLOATING RESTRICTOR 0.7MM	1
45b	CHY00937	WASHER DOWTY M18	1
45c	CHY01055	ADAPTOR M18MX1/4M	1
46	CRA00811	RAM 55X30 TELESCOPIC ARM B9000	1
47	CSG00298	MOWER REAR SUSPENSION SPRING	2
48	CST00918	DECAL TELESCOPE GRADUATION 300MM	1
49	CZB00388	1.5MM COVER PLATE SUSPENSION ARM	1
50	CZD03017	4MM L WASHER 12.5X50X4 Z/P	1
51	CZF00293	6MM L CAP SHORT FOR 25MM PINS	2
52	CZG02640	8MM PIN CAP PART B9000 MOWER	1

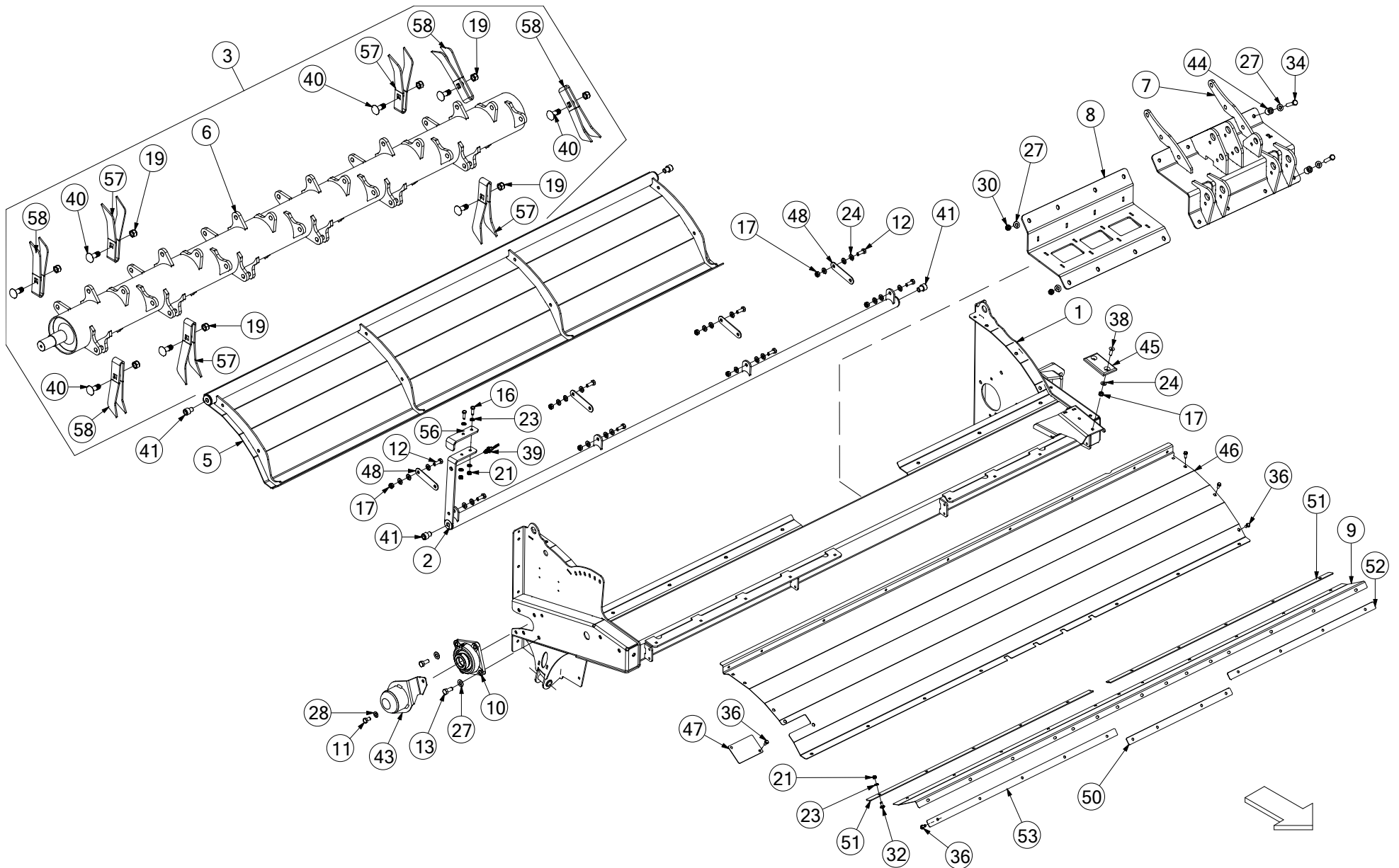
Suspension arm LH (1109)



No.	Part No	Description	Qty
0	ALA01072	ARM SUSPENSION LH TELESCOPIC ASM	1
<i>COMPLETE ARM ASSEMBLY</i>			
1	ACH01662	REAR MOWER CONNECTING BRACKET LH	1
2	ALA00730	PIN 30X445 WELD ON CAP	1
3	ALA00748	PIN 30X105 MOWER SUSPENSION	4
4	ALA00782	LINK ARM SIDE MOUNT MOWER	1
<i>INCLUDES ITEMS 14, 19 & 25</i>			
5	ALA00784	LINK ARM A FRAME LEFT MOWER	1
<i>INCLUDES ITEMS 12, 14, 19 & 25</i>			
6	ALA00882	LINK ARM 390MM SIDE MOUNT MOWER	1
7	CMH01616	SHAFT 40X300 Z/P	1
<i>UP TO SERIAL No 1002390</i>			
7a	CFA02370	ROLL PIN 12X80 Z/P	2
<i>UP TO SERIAL No 1002390</i>			
7	ALA01022	PIN ASSY 60X285 B9000 MOWER	1
<i>FROM SERIAL No 1002391</i>			
8	ALA01068	SUSPENSION PIVOT ARM HD/LH	1
9	ALA01069	SUSPENSION SLIDER ARM HD/LH	1
10	ALA01066	SLIDE WELD ASSY TELESCOPIC ARM	1
11	ALA01067	TELESCOPIC SLIDE WEAR PLATE COMP ASM	1
<i>INCLUDES ITEMS 10, 19, 31 & 43</i>			
12	CBR00007	BEARING GLACIER PM 3025 DX	2
13	CBR00082	BEARING GLACIER PM 4040 SY	2
<i>UP TO SERIAL No 1002390</i>			
13	CBR00019	BEARING GLACIER PM 6060	2
<i>FROM SERIAL No 1002391</i>			
14	CBR00127	BEARING SPHERICAL 30MM GE30ES 2RS	3
15	CFA00001	CIRCLIP 25MM EXTERNAL Z/P	4
16	CFA00025	SETSCREW M10X30	7
17	CFA00031	SETSCREW M12X25 Z/P	1
18	CFA00076	BOLT M12X60 Z/P	1
19	CFA00118	GREASE NIPPLE M8X1.25 STRAIGHT	9
20	CFA00123	NUT M10 NYLOC	9
21	CFA00127	NUT M16	4
22	CFA00201	WASHER FLAT 10 MM Z/P	9
23	CFA00250	WASHER SKM12	2
24	CFA00282	BOLT M16X45	4
25	CFA00458	47MM INTERNAL CIRCLIP DIN 472	3
26	CFA00504	ROLL PIN 12X60 Z/P	1
27	CFA00783	WASHER NL16 NORD-LOCK	4
28	CFA00908	SETSCREW M10X25 CSK HEX Z/P	2
29	CFA01079	CIRCLIP 40MM EXTERNAL STAINLESS STEEL	4
30	CFA01089	BOLT M16X340 Z/P	2
30a	CFA00782	WASHER PEINER M16 GALV DIN6916	2
<i>WASHER POSITIONED UNDER BOLT HEAD (REPLACES CFA00140)</i>			
31	CFA01206	SETSCREW M8X14 CSK HEX Z/P	10
32	CMH00443	PIN 25 X 110 MILLED FOR CAP Z/P	1
33	CMH01593	PIN 40X105 Z/P	2
34	CMH01618	SHAFT 40X263 Z/P	1
35	CMH01641	BUSH 30X45X21 Z/P	10
36	CMH01643	BUSH 25X40X21 Z/P	3

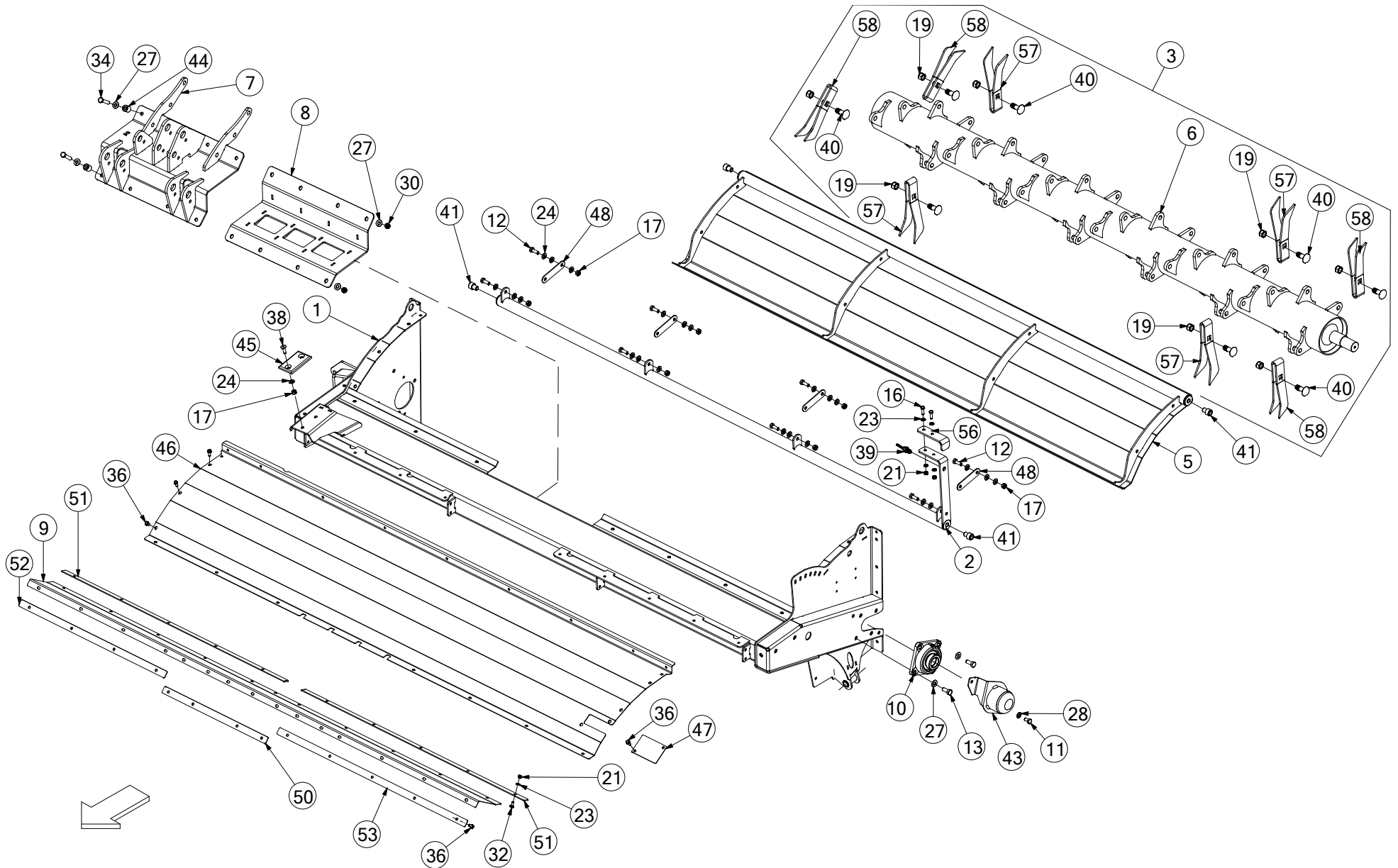
37	CMH01685	BUSH 40X50X60 Z/P	1
38	CMH01718	BUSH 25X40X47 Z/P	1
<i>UP TO SERIAL No 1004379</i>			
38	CMH01643	BUSH 25X40X21 Z/P	1
<i>FROM SERIAL No 1004380</i>			
39	CMH01931	PIN 25X175 Z/P	1
40	CMH01932	PIN 25X136 Z/P	1
41	CMH01951	PIN 25X140 MILLED FOR CAP Z/P	1
<i>UP TO SERIAL No 1004379 (REPLACES CMH00675)</i>			
41	CMH03303	PIN 25X110 MILLED FOR CAP Z/P	1
<i>FROM SERIAL No 1004380 (CAN ALSO USE CMH00443)</i>			
42	CPL00264	MOWER SLIDE PLATE HDPE	1
43	CPL00285	WEAR STRIP POM C 540X55X10	2
44	CPL00286	WEAR STRIP POM C 680X55X10	2
44a	CFA00908	SETSCREW M10X25 CSK HEX Z/P	6
44b	CFA00201	WASHER FLAT 10 MM Z/P	6
44c	CFA00123	NUT M10 NYLOC	1
45	CRA00801	RAM MOWER SUSPENSION HD	1
45a	CVA00465	FLOATING RESTRICTOR 0.7MM	1
45b	CHY00937	WASHER DOWTY M18	1
45c	CHY01055	ADAPTOR M18MX1/4M	1
46	CRA00811	RAM 55X30 TELESCOPIC ARM B9000	1
47	CSG00298	MOWER REAR SUSPENSION SPRING	2
48	CST00918	DECAL TELESCOPE GRADUATION 300MM	1
49	CZB00388	1.5MM COVER PLATE SUSPENSION ARM	1
50	CZD03017	4MM L WASHER 12.5X50X4 Z/P	1
51	CZF00293	6MM L CAP SHORT FOR 25MM PINS	2
52	CZG02640	8MM PIN CAP PART B9000 MOWER	1

Main frame RH (985)



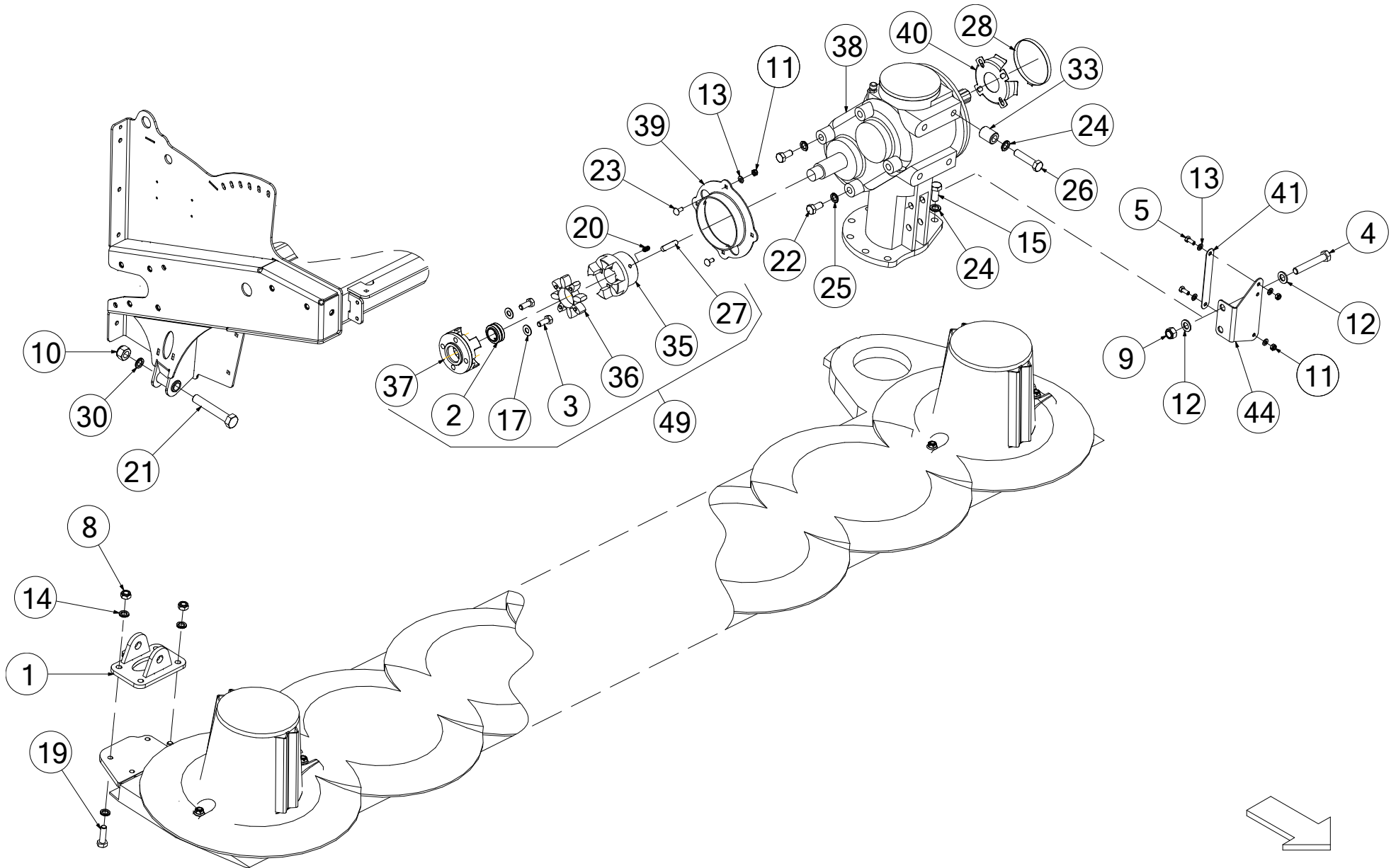
No.	Part No	Description	Qty
1	ACH01779	MOWER CHASSIS 3M WELD ASM RH	1
	<i>REPLACES ACH01612</i>		
2	ACH02840	MOWER CONDITIONER BAFFLE WELD ASS	1
3	ACH02843	MOWER CONDITIONER COMPLETE ASSEMBLY	1
	<i>INCLUDES ITEMS 6, 19, 40, 57 & 58</i>		
5	ACH03089	MOWER CONDITIONING HOOD 3M	1
	<i>REPLACES ACH02861</i>		
6	ACH03318	MOWER CONDITIONER 3M	1
	<i>REPLACES ACH02952</i>		
7	ACH01661	REAR MOWER CONNECTING BRACKET R/H	1
8	ACH01663	MOWER CONNECTING CLAMP BRACKET	1
9	CBE00407	CURTAIN R3100 CONDITIONER PLATE	1
10	CBR00126	BEARING SQ FLANGE 40MM ESFE 208 (SNR)	1
11	CFA00023	SETSCREW M10X20 Z/P	2
12	CFA00025	SETSCREW M10X30	9
13	CFA00032	SETSCREW M12X30 Z/P	4
16	CFA00102	SETSCREW M8X25 Z/P	2
17	CFA00123	NUT M10 NYLOC	10
19	CFA00128	NUT M16 NYLOC	48
21	CFA00132	NUT M8 NYLOC Z/P	15
23	CFA00147	WASHER FLAT 8MM Z/P	17
24	CFA00201	WASHER FLAT 10 MM Z/P	25
27	CFA00250	WASHER SKM12	20
28	CFA00251	WASHER SKM10	2
30	CFA00417	NUT M12X1.5 (10) NYLOC DIN 985	8
32	CFA00506	SETSCREW M8X20 CUPHEAD SQ ZP	10
34	CFA00586	BOLT M12X60X10.9 FINETHREAD ZP	8
36	CFA00766	SETSCREW M8X20 FLANGED DIN6921 Z/P	20
38	CFA00908	SETSCREW M10X25 CSK HEX Z/P	2
39	CFA02300	M12 INDEX PLUNGER	1
40	CFA02305	BOLT CUPHEAD M16X47 12.9	48
41	CFA02306	SETSCREW M16X20 SOC CAP 10.9 Z/P	4
43	CGD00564	CONDITIONER BEARING CAP	1
	<i>REPLACES AGD00048</i>		
44	CMH00745	BUSH 12X25X25	8
45	CPL00264	MOWER SLIDE PLATE HDPE	1
46	CZB00529	2MM MOWER CONITIONER HOOD R 3M	1
47	CZB02596	1.5MM L PLATE MOWER COVER	1
48	CZC03826	3MM L CONDITIONER BAFFLE	4
50	CZC05811	3MM CURTAIN RETAINER STRAP	1
51	CZC05803	3MM CURTAIN RETAINER STRAP	2
52	CZC05810	3MM CURTAIN RETAINER STRAP	1
53	CZC05809	3MM CURTAIN RETAINER STRAP	1
56	CZF07383	6MM L MOWER CONDITIONER HANDLE	1
57	CZF08035	6MM L MOWER CONDITIONER TINE	44
	<i>REPLACE IN BALANCED PAIRS 180 DEGREES APART AT ANY POSITION OF THE DRUM (REPLACES CZF07385)</i>		
58	CZF08722	6MM L MOWER CONDITIONER TINE (SHORT)	4
	<i>REPLACE IN BALANCED PAIRS 180 DEGREES APART ON THE DRUM ENDS ONLY (REPLACES CZF07397)</i>		

Main frame LH (1110)



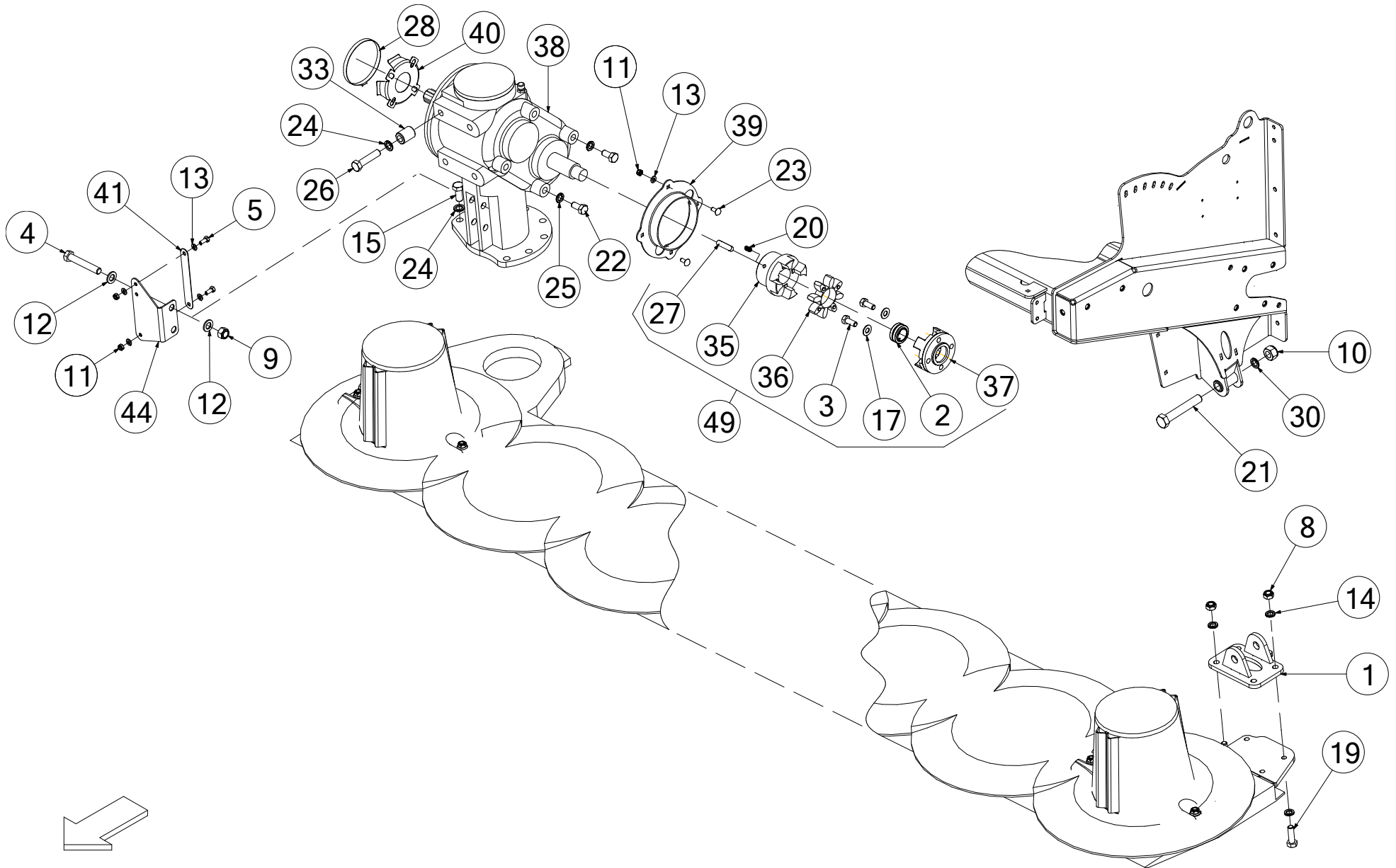
No.	Part No	Description	Qty
1	ACH01780	MOWER CHASSIS 3M WELD ASM RH	1
	<i>REPLACES ACH01618</i>		
2	ACH02840	MOWER CONDITIONER BAFFLE WELD ASS	1
3	ACH02843	MOWER CONDITIONER COMPLETE ASSEMBLY	1
	<i>INCLUDES ITEMS 6, 19, 40, 57 & 58</i>		
5	ACH03089	MOWER CONDITIONING HOOD 3M	1
	<i>REPLACES ACH02861</i>		
6	ACH03318	MOWER CONDITIONER 3M	1
	<i>REPLACES ACH02891</i>		
7	ACH01662	MOWER CONNECTING BRACKET L/H	1
8	ACH01663	MOWER CONNECTING CLAMP BRACKET	1
9	CBE00407	CURTAIN R3100 CONDITIONER PLATE	1
10	CBR00126	BEARING SQ FLANGE 40MM ESFE 208 (SNR)	1
11	CFA00023	SETSCREW M10X20 Z/P	2
12	CFA00025	SETSCREW M10X30	9
13	CFA00032	SETSCREW M12X30 Z/P	4
16	CFA00102	SETSCREW M8X25 Z/P	2
17	CFA00123	NUT M10 NYLOC	10
19	CFA00128	NUT M16 NYLOC	48
21	CFA00132	NUT M8 NYLOC Z/P	15
23	CFA00147	WASHER FLAT 8MM Z/P	17
24	CFA00201	WASHER FLAT 10 MM Z/P	25
27	CFA00250	WASHER SKM12	20
28	CFA00251	WASHER SKM10	2
30	CFA00417	NUT M12X1.5 (10) NYLOC DIN 985	8
32	CFA00506	SETSCREW M8X20 CUPHEAD SQ ZP	10
34	CFA00586	BOLT M12X60X10.9 FINETHREAD ZP	8
36	CFA00766	SETSCREW M8X20 FLANGED DIN6921 Z/P	20
38	CFA00908	SETSCREW M10X25 CSK HEX Z/P	2
39	CFA02300	M12 INDEX PLUNGER	1
40	CFA02305	BOLT CUPHEAD M16X47 12.9	48
41	CFA02306	SETSCREW M16X20 SOC CAP 10.9 Z/P	4
43	CGD00564	CONDITIONER BEARING CAP	1
	<i>REPLACES AGD00051</i>		
44	CMH00745	BUSH 12X25X25	8
45	CPL00264	MOWER SLIDE PLATE HDPE	1
46	CZB00530	2MM MOWER CONITIONER HOOD L 3M	1
47	CZB02596	1.5MM L PLATE MOWER COVER	1
48	CZC03826	3MM L CONDITIONER BAFFLE	4
50	CZC05811	3MM CURTAIN RETAINER STRAP	1
51	CZC05803	3MM CURTAIN RETAINER STRAP	2
52	CZC05810	3MM CURTAIN RETAINER STRAP	1
53	CZC05809	3MM CURTAIN RETAINER STRAP	1
56	CZF07383	6MM L MOWER CONDITIONER HANDLE	1
57	CZF08035	6MM L MOWER CONDITIONER TINE	44
	<i>REPLACE IN BALANCED PAIRS 180 DEGREES APART AT ANY POSITION OF THE DRUM (REPLACES CZF07385)</i>		
58	CZF08722	6MM L MOWER CONDITIONER TINE (SHORT)	4
	<i>REPLACE IN BALANCED PAIRS 180 DEGREES APART ON THE DRUM ENDS ONLY (REPLACES CZF07397)</i>		

Drive Couplings RH (1411)



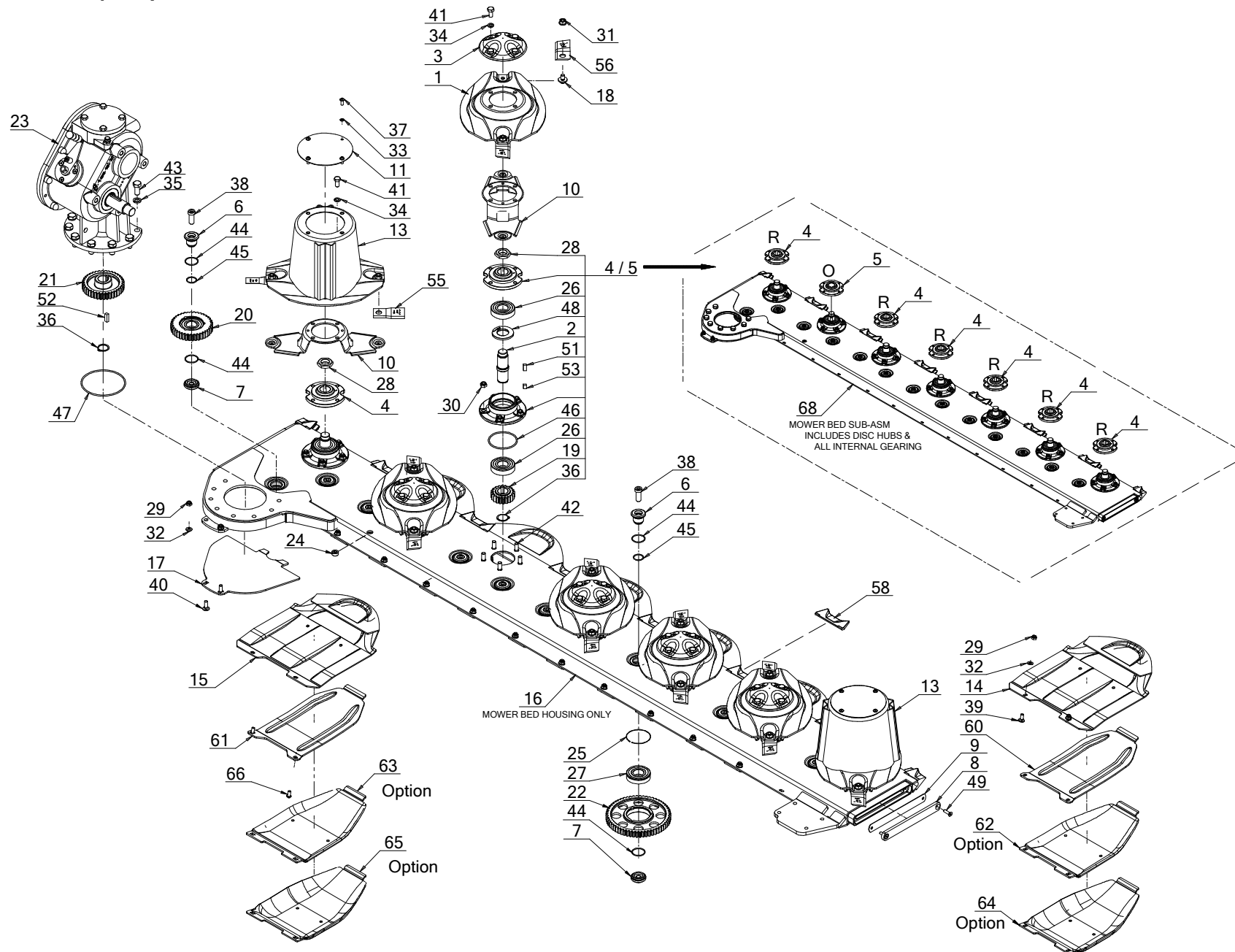
No.	Part No	Description	Qty
1	ACH02838	MOWER CUTTERBAR MOUNTING BRACKET	1
2	CBR00127	BEARING SPHERICAL 30MM GE30ES 2RS	1
3	CFA00032	SETSCREW M12X30 Z/P	4
4	CFA00040	BOLT M16X100 Z/P	2
5	CFA00052	SETSCREW M8X20 Z/P	2
8	CFA00126	NUT M14 NYLOC	4
9	CFA00128	NUT M16 NYLOC	2
10	CFA00129	NUT M20 NYLOC	1
11	CFA00132	NUT M8 NYLOC Z/P	4
12	CFA00140	WASHER FLAT 16MM Z/P	4
13	CFA00147	WASHER FLAT 8MM Z/P	6
14	CFA00222	WASHER FLAT 14MM Z/P	8
15	CFA00229	SETSCREW M16X35 Z/P	8
17	CFA00250	WASHER SKM12	4
19	CFA00038	BOLT M14X50 Z/P	4
20	CFA00319	GRUBSCREW M8X20	1
21	CFA00395	BOLT M20X120 Z/P	1
22	CFA00398	SETSCREW M14X30 Z/P	4
23	CFA00506	SETSCREW M8X20 CUPHEAD SQ ZP	2
24	CFA00783	WASHER NL16 NORD-LOCK	13
25	CFA01030	WASHER M14 NORDLOCK	4
26	CFA00739	BOLT M16X70 Z/P	4
27	CFA01076	KEY 12X8X50	1
28	CFA01086	JUBILEE CLIP 110MM-130MM	1
30	CFA02223	WASHER PEINER M20 GALV DIN6916	1
33	CMH01028	BUSH 17X30X39	4
35	CMT00365	COUPLING JAW (STANDARD 48)105 OD	1
36	CMT00366	COUPLING SPIDER 48-98 SHORE	1
37	CMT00367	COUPLING JAW (FLANGE MOUNTING 48)105 OD	1
38	CMT00380	GEARBOX REAR MOWER 2 SPEED	1
39	CTP00725	MOWER CONDITIONER SEAL EXTERNAL	1
40	CTP00585	PTO GUARD 115MM DIA	1
	<i>REPLACES CGD00392</i>		
41	CZB02532	1.5MM L MOWER GUARD	1
44	CZC05585	3MM MOWER GUARD BRKT	1
49	KST00103	COUPLING JAW+SPIDER KIT MOWER	1
	<i>INCLUDES ITEMS 2, 3, 17, 20, 27, 35, 36, 37 & GEARBOX SHAFT SEAL CSE00633</i>		

Drive Couplings LH (1412)



No.	Part No	Description	Qty
1	ACH02838	MOWER CUTTERBAR MOUNTING BRACKET	1
2	CBR00127	BEARING SPHERICAL 30MM GE30ES 2RS	1
3	CFA00032	SETSCREW M12X30 Z/P	4
4	CFA00040	BOLT M16X100 Z/P	2
5	CFA00052	SETSCREW M8X20 Z/P	2
8	CFA00126	NUT M14 NYLOC	4
9	CFA00128	NUT M16 NYLOC	2
10	CFA00129	NUT M20 NYLOC	1
11	CFA00132	NUT M8 NYLOC Z/P	4
12	CFA00140	WASHER FLAT 16MM Z/P	4
13	CFA00147	WASHER FLAT 8MM Z/P	6
14	CFA00222	WASHER FLAT 14MM Z/P	8
15	CFA00229	SETSCREW M16X35 Z/P	8
17	CFA00250	WASHER SKM12	4
19	CFA00038	BOLT M14X50 Z/P	4
20	CFA00319	GRUBSCREW M8X20	1
21	CFA00395	BOLT M20X120 Z/P	1
22	CFA00398	SETSCREW M14X30 Z/P	4
23	CFA00506	SETSCREW M8X20 CUPHEAD SQ ZP	2
24	CFA00783	WASHER NL16 NORD-LOCK	13
25	CFA01030	WASHER M14 NORDLOCK	4
26	CFA00739	BOLT M16X70 Z/P	4
27	CFA01076	KEY 12X8X50	1
28	CFA01086	JUBILEE CLIP 110MM-130MM	1
30	CFA02223	WASHER PEINER M20 GALV DIN6916	1
33	CMH01028	BUSH 17X30X39	4
35	CMT00365	COUPLING JAW (STANDARD 48)105 OD	1
36	CMT00366	COUPLING SPIDER 48-98 SHORE	1
37	CMT00367	COUPLING JAW (FLANGE MOUNTING 48)105 OD	1
38	CMT00385	GEARBOX MOWER 2 SPEED COND DRIVE (BUTTERFLY)	1
39	CTP00725	MOWER CONDITIONER SEAL EXTERNAL	1
40	CTP00585	PTO GUARD 115MM DIA	1
	<i>REPLACES CGD00392</i>		
41	CZB02532	1.5MM L MOWER GUARD	1
44	CZC05608	3MM MOWER GUARD BRKT	1
49	KST00103	COUPLING JAW+SPIDER KIT MOWER	1
	<i>INCLUDES ITEMS 2, 3, 17, 20, 27, 35, 36, 37 & GEARBOX SHAFT SEAL CSE00633</i>		

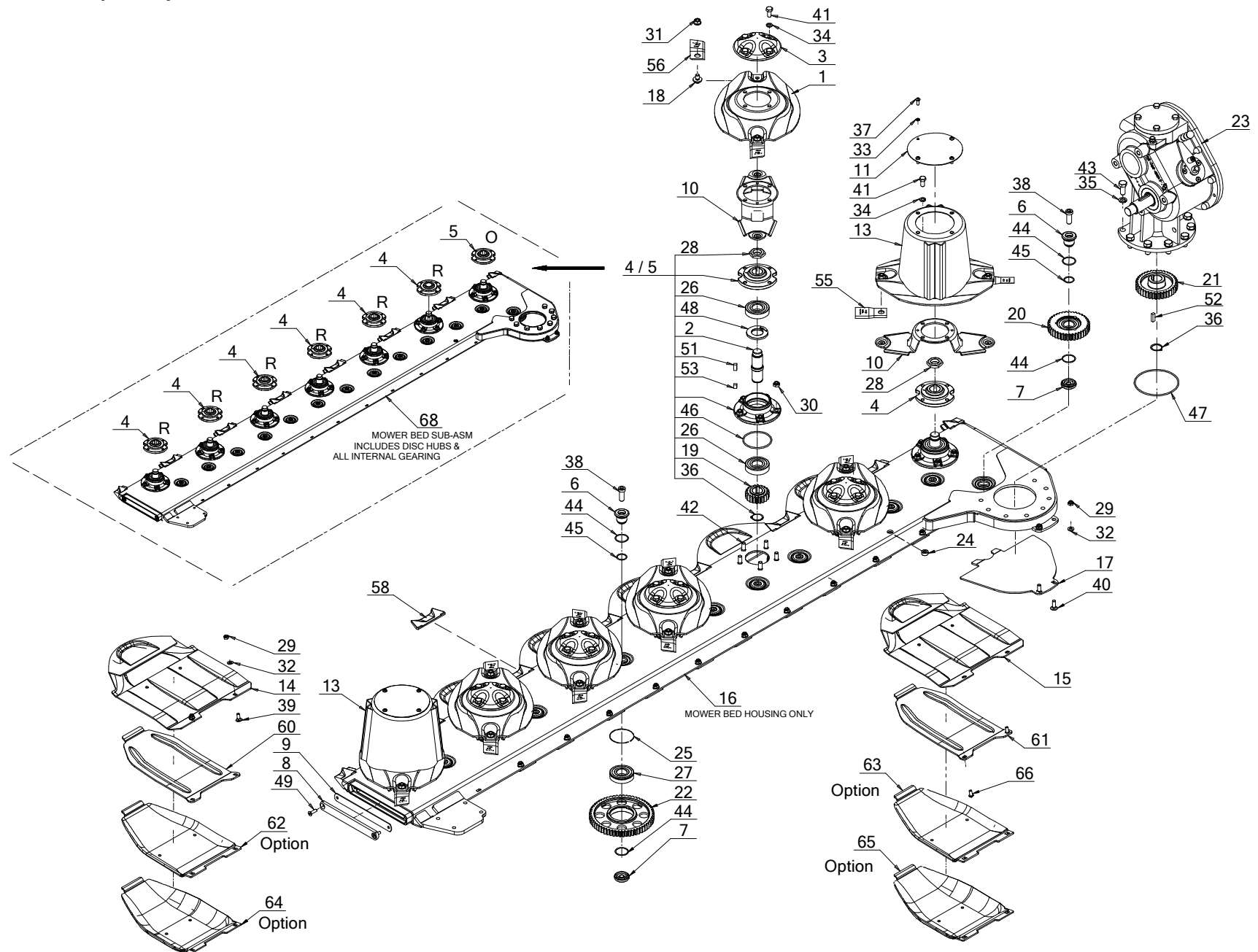
Cutterbar RH (982)



No.	Part No	Description	Qty
0	CMT00356	MOWER CUTTERBAR ASM COMPLETE RH	1
1	ART00376	MOWER DISK W/SPLINED HOLE	5
<i>UP TO SERIAL No 1002499 (INCLUDES ITEMS 18 & 31)</i>			
1	ART00386	MOWER DISC W/SQ STUD HOLE	5
<i>FROM SERIAL No 1002500 (INCLUDES ITEMS 18 & 31)</i>			
1	ART00404	MOWER DISC HALF DRUM	1
<i>THIS CAN BE FITTED AT DISC 2 NEXT TO ITEM 13 (GEARBOX END) TO IMPROVE CROP FLOW IN HEAVY RYE GRASS</i>			
2	CMH01691	SHAFT PINION L120 MOWER HUB	7
3	CZB00304	COVER CAP DISC MOWER	5
4	AAX00001	DISC HUB ASM UPPER (R)	6
5	AAX00002	DISC HUB ASM UPPER (O)	1
6	CMH01696	IDLER HOLDER UPPER MOWER BED	13
7	CMH02764	IDLER HOLDER LOWER MOWER	13
8	CMH01742	BAR CLOSURE 2X CSK HOLES MOWER BED	1
9	CBE00335	GASKET BAR RUBBER MOWER BED	1
10	CZE00318	KNIFE HOLDER MOWER 5MM	7
11	CZB00305	CAP COVER DISC OUTER DRUM MOWER	2
13	ART00398	MOWER DISC WITH OUTER DRUM FLAT	2
<i>(INCLUDES ITEMS 18 & 31) ALSO ORDER ITEM 10 FOR MACHINES PRIOR TO SERIAL No 1002500</i>			
14	ACH01619	MAIN SLIDE DISC MOWER W/SLOT	6
<i>FROM SERIAL No 1002500 (96 MM SLOT)</i>			
15	ACH01620	SLIDE UNDER G-BOX MOWER W/SLOT	1
<i>FROM SERIAL No 1002500 (96 MM SLOT)</i>			
16	CMT00522	CUTTERBAR HOUSING RHS 3M	1
17	CZE00294	SKID UNDER G-BOX DISC MOWER	1
18	CMH01692	PIN KNIFE HOLDER STUD SPLINED	14
<i>UP TO SERIAL No 1002499</i>			
18	KST00084	KIT SPLINE W/HOOK & SPRING PLATES	1
<i>UP TO SERIAL No 1002499 (CONV KIT TO SPLINED HOOK PINS) FOR REPLACEMENT PINS ORDER CMH02881</i>			
18	CMH01840	PIN KNIFE HOLDER HOOK W/SQ	14
<i>FROM SERIAL No 1002500</i>			
19	CMH01698	GEAR 20T WORK DISC MOWER BED	7
20	CMT00529	GEAR 38T IDLER W/BEARING SKF	1
<i>ASSEMBLY INCLUDES 38T IDLER GEAR CMH01699, RETAINING RING ITEM 25 & BEARING ITEM 27</i>			
21	CMH01693	GEAR 38T GBOX DRIVE MOWER BED	1
22	CMT00829	GEAR ASM 60T W/BEARING SKF	12
<i>ASSEMBLY INCLUDES 60T GEAR CMH01697, RETAINING RING ITEM 25 & BEARING ITEM 27</i>			
23	CMT00380	GEARBOX REAR MWR 2 SPD CONDR	1
24	CFA01085	PLUG OIL INLET HEX M22X1.5 MWR BED	1
25	CFA01109	RETAINING RING 6307N BEARING	13
26	CBR00383	BEARING 6307 2RS C3	14
27	CBR00335	BEARING 6307 2RS NR SNAP-RING	13
28	CFA01116	NUT LOCK-HALF M30X1.5 MWR 8.8 Z/P	7
29	CFA00123	NUT M10 NYLOC Z/P	14
30	CFA00124	NUT M12 NYLOC	35
31	CFA00439	NUT M12 FLANGED HEAD 10.9 Z/P	14
32	CFA00201	WASHER FLAT 10MM Z/P	14
33	CFA00185	WASHER SPRING 8MM Z/P	8
34	CFA00623	WASHER SPRING 12MM LIGHT Z/P	28
35	CFA00252	WASHER SKM16	8
36	CFA00514	CIRCLIP 35MM EXTERNAL	8

37	CFA00429	SCREW M8X20 BTN HEAD SOC HX Z/P	8
38	CFA01110	BOLT M16X40 ALLEN HD 10.9	13
39	CFA00017	SETSCREW M10X30 CUP SQ Z/P	12
<i>REPLACES SETSCREW M10X25 CUP SQ Z/P (CFA00442)</i>			
40	CFA00017	SETSCREW M10X30 CUP SQ Z/P	2
41	CFA00031	SETSCREW M12X25 ZP	28
42	CFA01115	BOLT M12X30 KNURLED 10.9 Z/P MOWER	35
43	CFA00229	SETSCREW M16X35 Z/P	8
44	CSE00855	SEAL O RING OS 40X2.5 MOWER	26
45	CSE00645	SEAL O RING OS 30X2.5 MOWER	13
46	CSE00638	SEAL O RING OS 90X4	7
47	CFA02340	LOCTITE SI 5926 40ML NON SETTING GASKET	1
<i>UP TO SERIAL No 1006627 (APPLY SEALANT TO MACHINED SURFACES AROUND CENTRE BORE & THREADLOCK BOLTS)</i>			
47	CSE00639	SEAL O RING OS 142X4	1
<i>FROM SERIAL No 1006628 (APPLY LOCTITE THREADLOCK TO BOLT THREADS ON RE-ASSEMBLY)</i>			
48	CSE00637	OIL SEAL AO 40X72X7 MOWER BED	7
49	CFA00593	SETSCREW M8X30 CSK ALLEN Z/P	2
51	CFA01111	KEY B 10X8X22 MOWER BED	7
52	CFA01112	KEY B 10x8x30 MOWER BED	1
53	CFA01082	KEY B 10x8x16 MOWER BED	7
55	CKN00052	MOWER BLADE 50X109 RH 10 DEG	8
56	CKN00053	MOWER BLADE 50X109 LH 10 DEG	6
58	CTP00832	CUTTERBAR COUNTERKNIFE	7
<i>REPLACEMENT WELD-IN INSERT (REPLACES CTP00513)</i>			
60	CTP00562	SKID PAD FLAT	6
<i>FROM SERIAL No 1002500</i>			
61	CTP00563	SKID PAD FLAT UNDER G/BOX	1
<i>FROM SERIAL No 1002500</i>			
62	CTP00564	HIGH CUT SKID +25MM	6
<i>FROM SERIAL No 1002500</i>			
63	CTP00565	HIGH CUT SKID +25MM UNDER GBOX	1
<i>FROM SERIAL No 1002500</i>			
64	CTP00566	HIGH CUT SKID +50MM	6
<i>FROM SERIAL No 1002500 (95 MM TAB)</i>			
65	CTP00567	HIGH CUT SKID +50MM UNDER GBOX	1
<i>FROM SERIAL No 1002500 (95 MM TAB)</i>			
66	CFA00243	SETSCREW M10X20 BUTTON HEAD Z/P	2
68	CMT00786	MOWER BED 3M RH WITH GEARS&HUBS	1

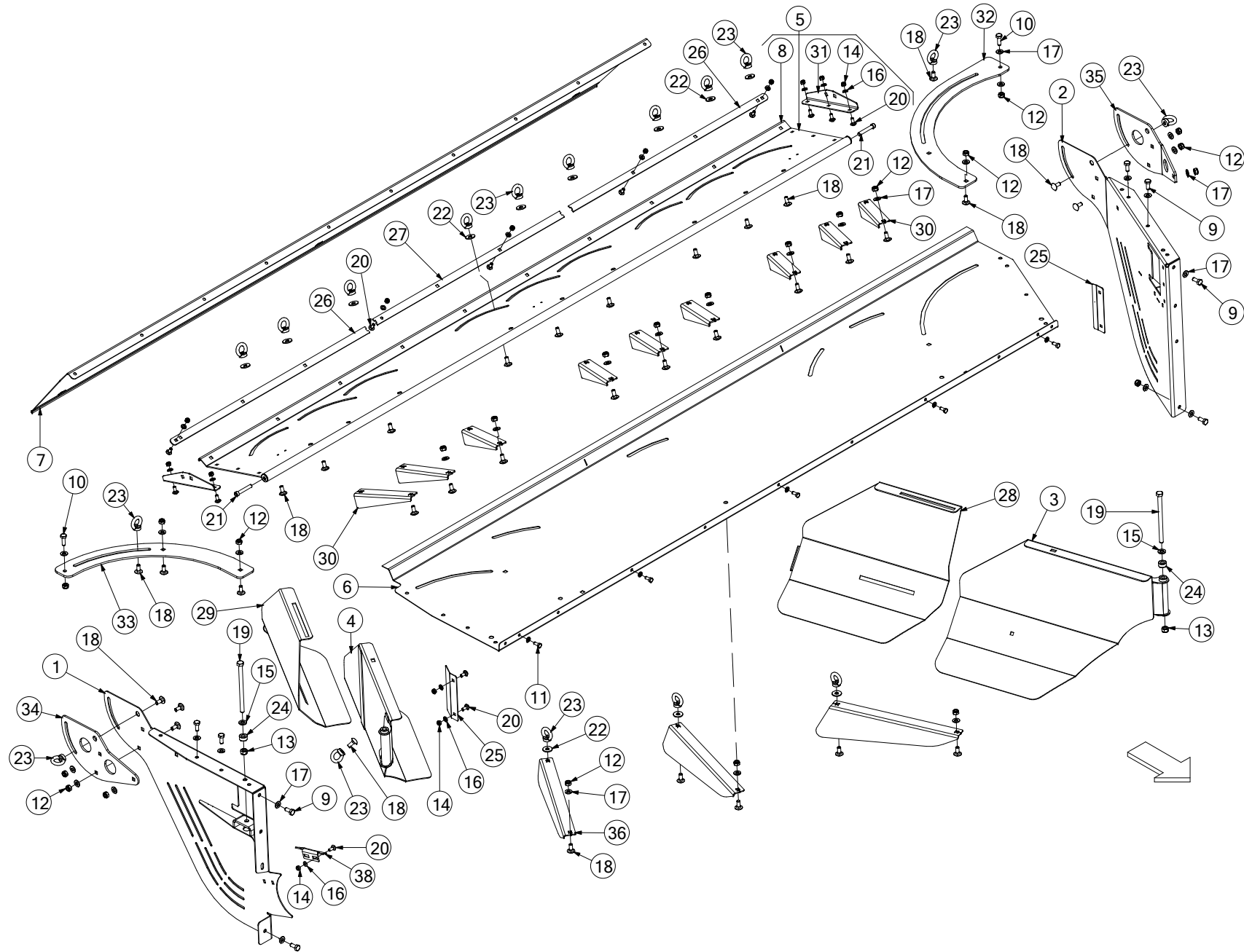
Cutterbar LH (1112)



No.	Part No	Description	Qty
0	CMT00386	MOWER CUTTERBAR ASM LH B9000	1
1	ART00376	MOWER DISK W/SPLINED HOLE	5
<i>UP TO SERIAL No 1002499 (INCLUDES ITEMS 18 & 31)</i>			
1	ART00386	MOWER DISC W/SQ STUD HOLE	5
<i>FROM SERIAL No 1002500 (INCLUDES ITEMS 18 & 31)</i>			
1	ART00404	MOWER DISC HALF DRUM	1
<i>THIS CAN BE FITTED AT DISC 2 NEXT TO ITEM 13 (GEARBOX END) TO IMPROVE CROP FLOW IN HEAVY RYE GRASS</i>			
2	CMH01691	SHAFT PINION L120 MOWER HUB	7
3	CZB00304	COVER CAP DISC MOWER	5
4	AAX00001	DISC HUB ASM UPPER (R)	6
5	AAX00002	DISC HUB ASM UPPER (O)	1
6	CMH01696	IDLER HOLDER UPPER MOWER BED	13
7	CMH02764	IDLER HOLDER LOWER MOWER	13
8	CMH01742	BAR CLOSURE 2X CSK HOLES MOWER BED	1
9	CBE00335	GASKET BAR RUBBER MOWER BED	1
10	CZE00318	KNIFE HOLDER MOWER 5MM	7
11	CZB00305	CAP COVER DISC OUTER DRUM MOWER	2
13	ART00398	MOWER DISC WITH OUTER DRUM FLAT	2
<i>(INCLUDES ITEMS 18 & 31) ALSO ORDER ITEM 10 FOR MACHINES PRIOR TO SERIAL No 1002500</i>			
14	ACH01619	MAIN SLIDE DISC MOWER W/SLOT	6
<i>FROM SERIAL No 1002500 (96 MM SLOT)</i>			
15	ACH01620	SLIDE UNDER G-BOX MOWER W/SLOT	1
<i>FROM SERIAL No 1002500 (96 MM SLOT)</i>			
16	CMT00787	MOWER BED 3M LH HOUSING ONLY	1
17	CZE00295	MOWER SKID PART LH	1
18	CMH01692	PIN KNIFE HOLDER STUD SPLINED	14
<i>UP TO SERIAL No 1002499</i>			
18	KST00084	KIT SPLINE W/HOOK & SPRING PLATES	1
<i>UP TO SERIAL No 1002499 (CONV KIT TO SPLINED HOOK PINS) FOR REPLACEMENT PINS ORDER CMH02881</i>			
18	CMH01840	PIN KNIFE HOLDER HOOK W/SQ	14
<i>FROM SERIAL No 1002500</i>			
19	CMH01698	GEAR 20T WORK DISC MOWER BED	7
20	CMT00529	GEAR 38T IDLER W/BEARING SKF	1
<i>ASSEMBLY INCLUDES 38T IDLER GEAR CMH01699, RETAINING RING ITEM 25 & BEARING ITEM 27</i>			
21	CMH01693	GEAR 38T GBOX DRIVE MOWER BED	1
22	CMT00829	GEAR ASM 60T W/BEARING SKF	12
<i>ASSEMBLY INCLUDES 60T GEAR CMH01697, RETAINING RING ITEM 25 & BEARING ITEM 27</i>			
23	CMT00385	GEARBOX MOWER 2 SPEED COND DRIVE (BUTTERFLY)	1
24	CFA01085	PLUG OIL INLET HEX M22X1.5 MWR BED	1
25	CFA01109	RETAINING RING 6307N BEARING	13
26	CBR00383	BEARING 6307 2RS C3	14
27	CBR00335	BEARING 6307 2RS NR SNAP-RING	13
28	CFA01116	NUT LOCK-HALF M30X1.5 MWR 8.8 Z/P	7
29	CFA00123	NUT M10 NYLOC Z/P	14
30	CFA00124	NUT M12 NYLOC	35
31	CFA00439	NUT M12 FLANGED HEAD 10.9 Z/P	14
32	CFA00201	WASHER FLAT 10MM Z/P	14
33	CFA00185	WASHER SPRING 8MM Z/P	8
34	CFA00623	WASHER SPRING 12MM LIGHT Z/P	28
35	CFA00252	WASHER SKM16	8
36	CFA00514	CIRCLIP 35MM EXTERNAL	8

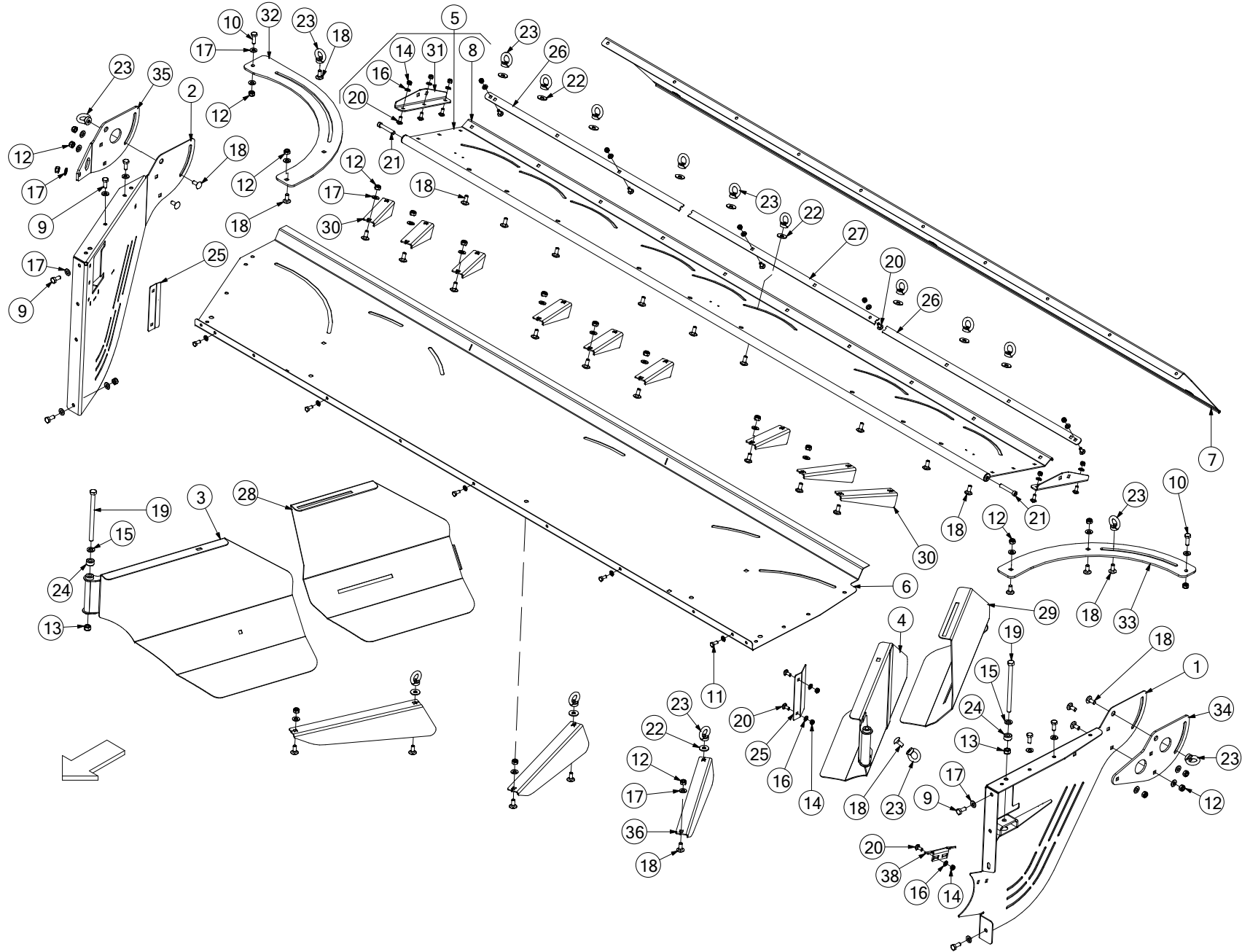
37	CFA00429	SCREW M8X20 BTN HEAD SOC HX Z/P	8
38	CFA01110	BOLT M16X40 ALLEN HD 10.9	13
39	CFA00017	SETSCREW M10X30 CUP SQ Z/P	12
<i>REPLACES SETSCREW M10X25 CUP SQ Z/P (CFA00442)</i>			
40	CFA00017	SETSCREW M10X30 CUP SQ Z/P	2
41	CFA00031	SETSCREW M12X25 ZP	28
42	CFA01115	BOLT M12X30 KNURLED 10.9 Z/P MOWER	35
43	CFA00229	SETSCREW M16X35 Z/P	8
44	CSE00855	SEAL O RING OS 40X2.5 MOWER	26
45	CSE00645	SEAL O RING OS 30X2.5 MOWER	13
46	CSE00638	SEAL O RING OS 90X4	7
47	CFA02340	LOCTITE SI 5926 40ML NON SETTING GASKET	1
<i>UP TO SERIAL No 1006627 (APPLY SEALANT TO MACHINED SURFACES AROUND CENTRE BORE & THREADLOCK BOLTS)</i>			
47	CSE00639	SEAL O RING OS 142X4	1
<i>FROM SERIAL No 1006628 (APPLY LOCTITE THREADLOCK TO BOLT THREADS ON RE-ASSEMBLY)</i>			
48	CSE00637	OIL SEAL AO 40X72X7 MOWER BED	7
49	CFA00593	SETSCREW M8X30 CSK ALLEN Z/P	2
51	CFA01111	KEY B 10X8X22 MOWER BED	7
52	CFA01112	KEY B 10x8x30 MOWER BED	1
53	CFA01082	KEY B 10x8x16 MOWER BED	7
55	CKN00052	MOWER BLADE 50X109 RH 10 DEG	8
56	CKN00053	MOWER BLADE 50X109 LH 10 DEG	6
58	CTP00832	CUTTERBAR COUNTERKNIFE	7
<i>REPLACEMENT WELD-IN INSERT (REPLACES CTP00513)</i>			
60	CTP00562	SKID PAD FLAT	6
<i>FROM SERIAL No 1002500</i>			
61	CTP00563	SKID PAD FLAT UNDER G/BOX	1
<i>FROM SERIAL No 1002500</i>			
62	CTP00564	HIGH CUT SKID +25MM	6
<i>FROM SERIAL No 1002500</i>			
63	CTP00565	HIGH CUT SKID +25MM UNDER GBOX	1
<i>FROM SERIAL No 1002500</i>			
64	CTP00566	HIGH CUT SKID +50MM	6
<i>FROM SERIAL No 1002500 (95 MM TAB)</i>			
65	CTP00567	HIGH CUT SKID +50MM UNDER GBOX	1
<i>FROM SERIAL No 1002500 (95 MM TAB)</i>			
66	CFA00243	SETSCREW M10X20 BUTTON HEAD Z/P	2
68	CMT00788	MOWER BED 3M LH WITH GEARS&HUBS	1

Discharge unit RH (986)



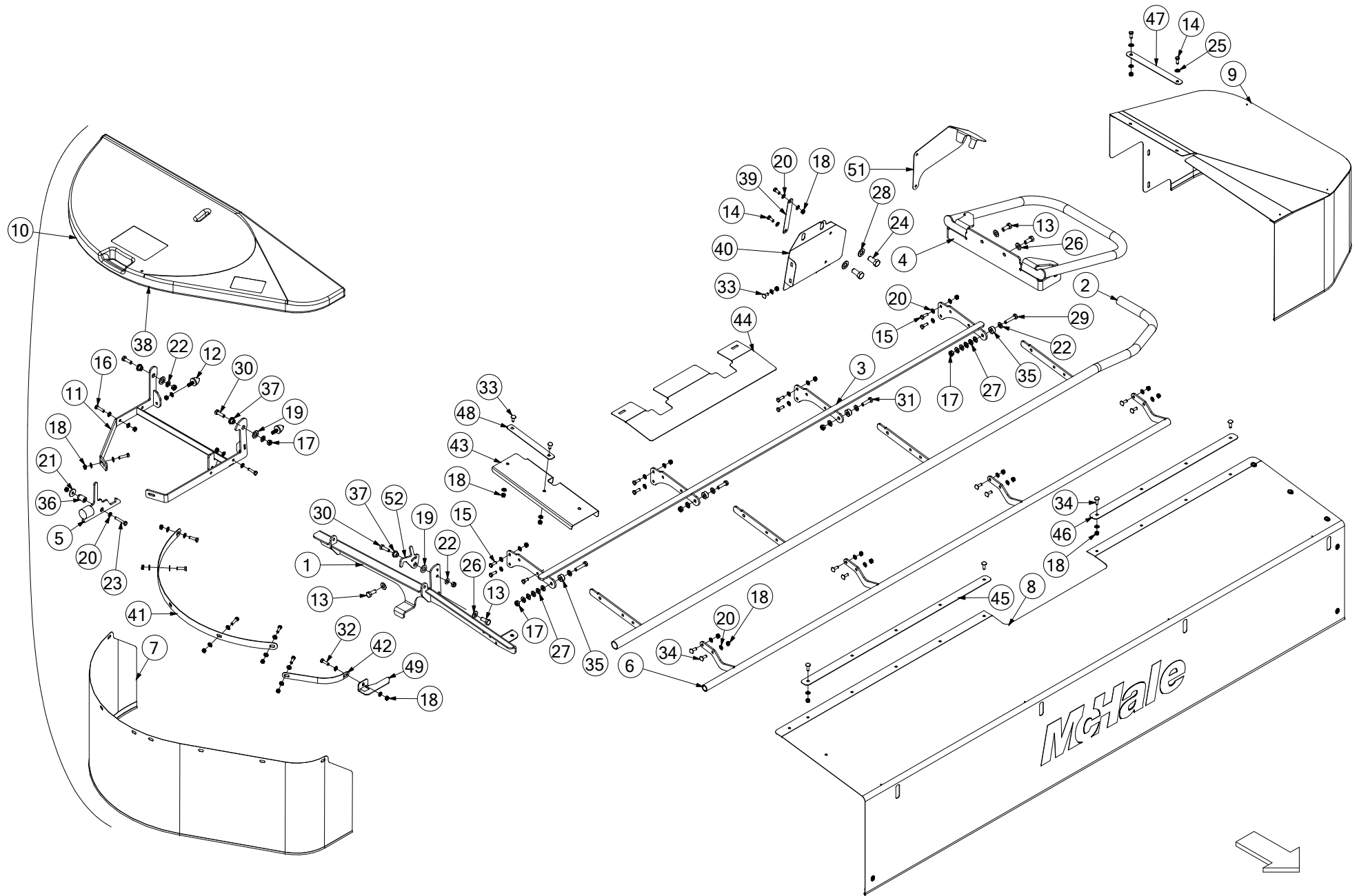
No.	Part No	Description	Qty
1	ACH01463	MOWER SIDE BOARD WELD RHS	1
2	ACH01464	MOWER SIDE BOARD WELD LHS	1
3	ACH02846	MOWER SWATH BOARD WELD LHS	1
4	ACH02847	MOWER SWATH BOARD WELD RHS	1
5	ACH02867	MOWER DISCHARGE PLATE RHS	1
<i>INCLUDES ITEMS 8, 14, 16, 20 & 31</i>			
6	ACH02881	DISCHARGE UNIT REAR MOWER WELD	1
7	AGD00041	REAR MOWER DISCHARGE CURTAIN ASSY	1
8	AMR00011	MOWER DISCHARGE PLATE 3M	1
8a	AGD00120	TURNBUTTON + FASTENERS & EYELET	3
9	CFA00024	SETSCREW M10X25 Z/P	10
10	CFA00025	SETSCREW M10X30	2
11	CFA00052	SETSCREW M8X20 Z/P	5
12	CFA00123	NUT M10 NYLOC	34
13	CFA00124	NUT M12 NYLOC	2
14	CFA00132	NUT M8 NYLOC Z/P	20
15	CFA00138	WASHER FLAT 12MM Z/P	2
16	CFA00147	WASHER FLAT 8MM Z/P	25
17	CFA00201	WASHER FLAT 10 MM Z/P	45
18	CFA00442	SETSCREW M10X25 CUP SQ	39
19	CFA00470	BOLT M12X180 Z/P	2
20	CFA00506	SETSCREW M8X20 CUPHEAD SQ ZP	15
21	CFA00664	BOLT M10X60 SOC CAP Z/P	2
22	CFA01056	WASHER 10MM DIN 9021 NYLON	12
23	CFA02312	M10 LIFTING EYE NUT DIN 582	18
24	CMH01680	BUSH 12X25X12	2
25	CZB02512	2MM L CROP FLOW DEFLECTION MOWER	2
26	CZC03919	3MM L MOWER CURTAIN STRIP	2
27	CZC03922	3MM L MOWER GUARD STRIP	1
28	CZC04878	3MM L SWATH BOARD EXTENSION LHS	1
29	CZC04883	3MM L SWATH BOARD EXTENSION RHS	1
30	CZC04884	3MM L CROP DEFLECTOR REAR MOWER	9
31	CZC05643	3MM MOWER DISCHARGE SIDE BRKT	2
32	CZF07188	6MM L PLATE MOWER DISCHARGE	1
33	CZF07189	6MM L PLATE MOWER DISCHARGE	1
34	CZF07229	6MM SUPPORT PLATE REAR MOWER	1
35	CZF07230	6MM SUPPORT PLATE REAR MOWER	1
36	CZC05225	3MM L LONG CROP DEFLECTOR REAR MOWER	3
38	CZC05606	3MM L CONDITIONER SCRAPER	1

Discharge unit LH (1113)



No.	Part No	Description	Qty
1	ACH01465	MOWER SIDE BOARD WELD LHS	1
2	ACH01466	MOWER SIDE BOARD WELD RHS	1
3	ACH02847	MOWER SWATH BOARD WELD RHS	1
4	ACH02846	MOWER SWATH BOARD WELD LHS	1
5	ACH02890	MOWER DISCHARGE PLATE LHS	1
<i>INCLUDES ITEMS 8, 14, 16, 20 & 31</i>			
6	ACH01467	DISCHARGE UNIT REAR MOWER WELD	1
7	AGD00041	REAR MOWER DISCHARGE CURTAIN ASSY	1
8	AMR00012	MOWER DISCHARGE PLATE 3M LHS	1
8a	AGD00120	TURNBUTTON + FASTENERS & EYELET	3
9	CFA00024	SETSCREW M10X25 Z/P	10
10	CFA00025	SETSCREW M10X30	2
11	CFA00052	SETSCREW M8X20 Z/P	5
12	CFA00123	NUT M10 NYLOC	34
13	CFA00124	NUT M12 NYLOC	2
14	CFA00132	NUT M8 NYLOC Z/P	20
15	CFA00138	WASHER FLAT 12MM Z/P	2
16	CFA00147	WASHER FLAT 8MM Z/P	25
17	CFA00201	WASHER FLAT 10 MM Z/P	45
18	CFA00442	SETSCREW M10X25 CUP SQ	39
19	CFA00470	BOLT M12X180 Z/P	2
20	CFA00506	SETSCREW M8X20 CUPHEAD SQ ZP	15
21	CFA00664	BOLT M10X60 SOC CAP Z/P	2
22	CFA01056	WASHER 10MM DIN 9021 NYLON	12
23	CFA02312	M10 LIFTING EYE NUT DIN 582	18
24	CMH01680	BUSH 12X25X12	2
25	CZB02512	2MM L CROP FLOW DEFLECTION MOWER	2
26	CZC03919	3MM L MOWER CURTAIN STRIP	2
27	CZC03922	3MM L MOWER GUARD STRIP	1
28	CZC04883	3MM L SWATH BOARD EXTENSION RHS	1
29	CZC04878	3MM L SWATH BOARD EXTENSION LHS	1
30	CZC04884	3MM L CROP DEFLECTOR REAR MOWER	9
31	CZC05643	3MM MOWER DISCHARGE SIDE BRKT	2
32	CZF07188	6MM L PLATE MOWER DISCHARGE	1
33	CZF07189	6MM L PLATE MOWER DISCHARGE	1
34	CZF07229	6MM SUPPORT PLATE REAR MOWER	1
35	CZF07243	6MM SUPPORT PLATE REAR MOWER	1
36	CZC05225	3MM L LONG CROP DEFLECTOR REAR MOWER	3
38	CZC05606	3MM L CONDITIONER SCRAPER	1

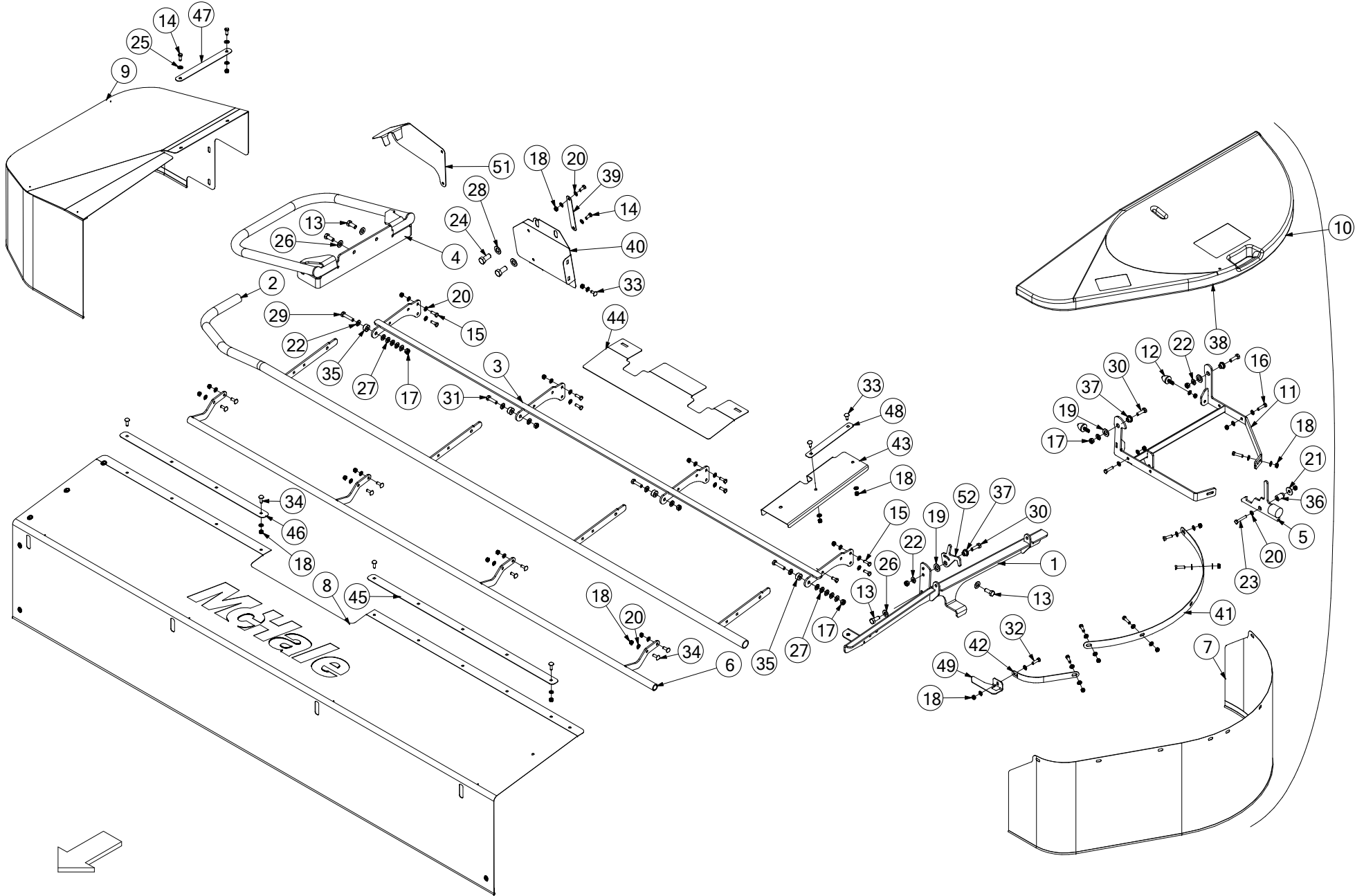
Panels RH (987)



No.	Part No	Description	Qty
1	AMR00007	GUARD MOUNT MOWER RHS	1
	<i>REPLACES ACH02884</i>		
2	AGD00103	GUARD RAIL CURTAIN SUPPORT B9000 R	1
	<i>ALSO ORDER KIT KST00173 FOR MACHINES PRIOR TO SERIAL No 1003329</i>		
3	AGD00015	MOWER GUARD	1
4	KST00173	R3100 INNER CURTAIN KIT	1
	<i>USED UP TO SERIAL No 1004039</i>		
4	AGD00135	GUARD CURTAIN FRAME INNER RHS	1
	<i>USED FROM SERIAL No 1004040</i>		
5	AGD00017	MOWER GUARD GRAVITY LATCH	1
6	AGD00018	MOWER FRONT HAND RAIL	1
7	AGD00035	FRONT MOWER RHS CURTAIN ASSY	1
7a	AGD00120	TURNBUTTON + FASTENERS & EYELET	1
8	AGD00037	CURTAIN FRONT R3100+B9000	1
8a	AGD00120	TURNBUTTON + FASTENERS & EYELET	1
9	KST00173	R3100 INNER CURTAIN KIT	1
	<i>USED UP TO SERIAL No 1003328</i>		
9	AGD00105	CURTAIN RHS INNER B9000	1
	<i>USED FROM SERIAL No 1003329</i>		
9a	AGD00120	TURNBUTTON + FASTENERS & EYELET	1
10	AGD00059	REAR MOWER GUARD ASSY RHS	1
	<i>COMPLETE GUARD RH ASM INCLUDING FRAME, LATCH, CURTAIN & BUFFERS (BUT NOT HINGE BOLTS)</i>		
11	AGD00118	MOWER GUARD FRAME RHS	1
	<i>REPLACES AGD00060</i>		
12	CBE00028	BUFFER RUBBER 30X36 M8/27 57SH	2
13	CFA00032	SETSCREW M12X30 Z/P	5
14	CFA00052	SETSCREW M8X20 Z/P	6
15	CFA00102	SETSCREW M8X25 Z/P	8
16	CFA00107	SETSCREW M8X35 Z/P	6
17	CFA00123	NUT M10 NYLOC	7
18	CFA00132	NUT M8 NYLOC Z/P	48
19	CFA00140	WASHER FLAT 16MM Z/P	3
20	CFA00147	WASHER FLAT 8MM Z/P	68
21	CFA00149	WASHER MUDWING M8 31.75OD	1
22	CFA00201	WASHER FLAT 10 MM Z/P	9
23	CFA00210	SETSCREW M8X50 Z/P	1
24	CFA00229	SETSCREW M16X35 Z/P	2
25	CFA00249	WASHER SKM8	2
26	CFA00250	WASHER SKM12	5
27	CFA00251	WASHER SKM10	10
28	CFA00252	WASHER SKM16	2
29	CFA00310	BOLT M10X50 Z/P	2
30	CFA00311	SETSCREW M10X35 Z/P	3
31	CFA00312	SETSCREW M10X40 Z/P	2
32	CFA00491	SETSCREW M8X30 Z/P	5
33	CFA00506	SETSCREW M8X20 CUPHEAD SQ ZP	3
34	CFA00591	SETSCREW M8X25 CUPHEAD SQ ZP	18
35	CMH01329	BUSH 10X25X12	4
36	CMH02691	BUSH 20X15X50	1
37	CMH02724	BUSH 25X10.5X14 STEPPED	3

38	CPL00231	PLASTIC MOWER GUARD RHS	1
39	CZB02532	1.5MM L MOWER GUARD	1
40	CZB02533	1.5MM L MOWER GUARD	1
	<i>USED UP TO SERIAL No 1003043 (SHOWN)</i>		
40	CZC05585	3MM MOWER GUARD BRKT	1
	<i>USED FROM SERIAL No 1003044 (NOT SHOWN)</i>		
41	CZB02545	2MM L FRONT MOWER CURTAIN STRIP	1
42	CZB02547	2MM L FRONT MOWER CURTAIN STRIP 2 HOLE	1
43	CZB02548	1.5MM L MOWER GUARD	1
44	CZB02560	1.5MM MOWER GUARD	1
45	CZB02591	2MM L MOWER GUARD STRIP	1
46	CZB02592	2MM L MOWER GUARD STRIP	1
47	CZB02593	2MM L MOWER GUARD STRIP	1
48	CZB02594	2MM L MOWER GUARD STRIP	1
49	CZC05155	3MM CROP DEFLECTOR MOWER RHS	1
51	CZB04782	1.5MM L MOWER CURTAIN BRKT RHS	1
	<i>USED FROM SERIAL No 1003044 TO 1004039</i>		
52	CZF08958	6MM L MOWER GRAVITY LATCH	1

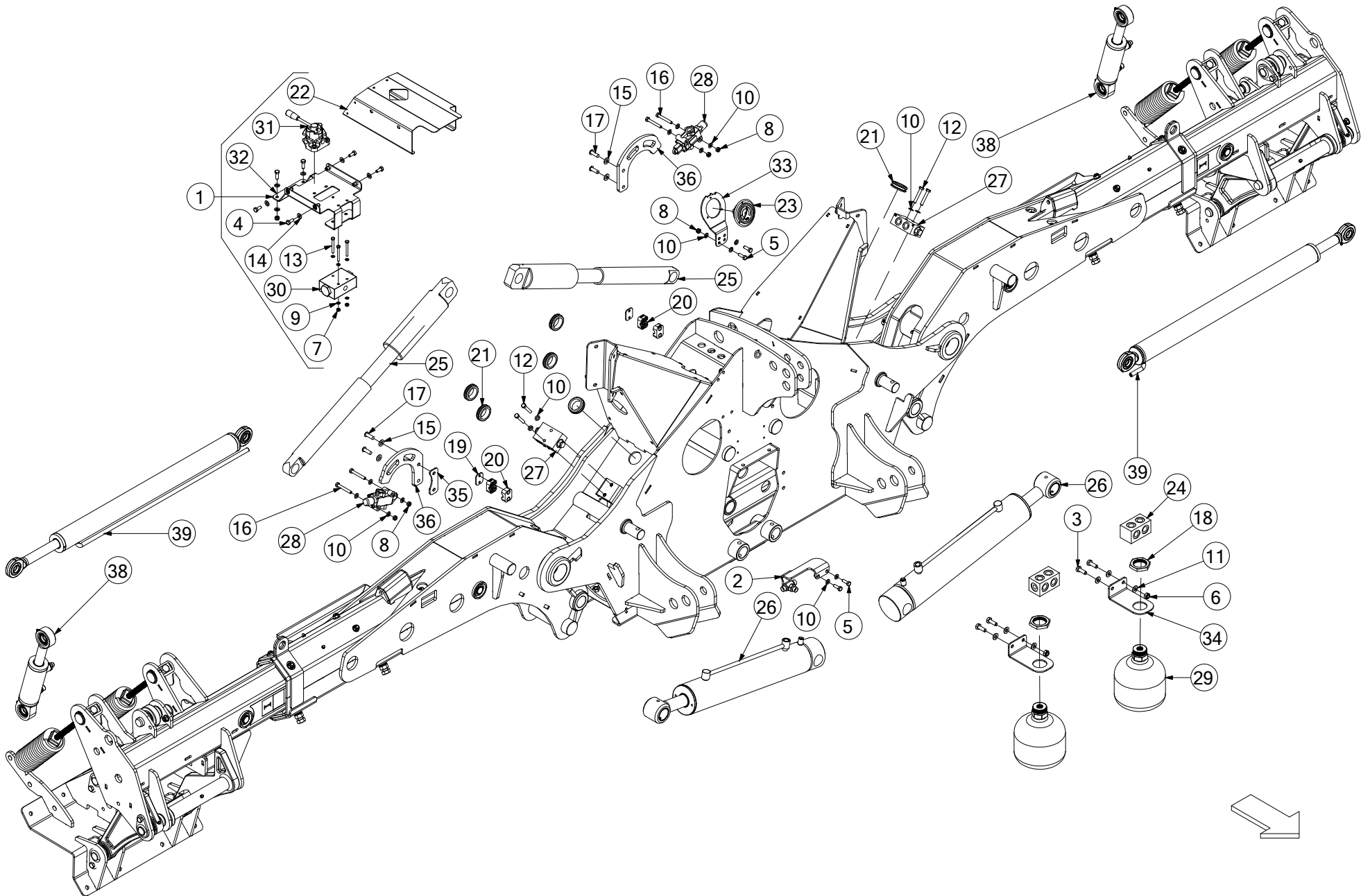
Panels LH (1114)



No.	Part No	Description	Qty
1	AMR00010	GUARD MOUNT BUTTERFLY MOWER LHS	1
2	AGD00042	GUARD REAR LH MOWER	1
<i>USED UP TO SERIAL No 1002693</i>			
2	AGD00090	GUARD REAR LH MOWER	1
<i>USED FROM SERIAL No 1002694 TO SERIAL No 1003328</i>			
2	AGD00104	GUARD RAIL CURTAIN SUPPORT LH	1
<i>USED FROM SERIAL No 1003329</i>			
3	AGD00015	MOWER GUARD	1
4	AGD00016	6MM L MOWER GUARD	1
<i>UP TO SERIAL No 1002395</i>			
4	AGD00102	GUARD CURTAIN FRAME INNER RHS	1
<i>FROM SERIAL No 1002396 TO 1004039</i>			
4	AGD00138	GUARD CURTAIN FRAME INNER LHS	1
<i>FROM SERIAL No 1004040</i>			
5	AGD00017	MOWER GUARD GRAVITY LATCH	1
6	AGD00045	MOWER FRONT HAND RAIL BUTTERFLY	1
7	AGD00036	CURTAIN LHS F3100 + B9000	1
7a	AGD00120	TURNBUTTON + FASTENERS & EYELET	1
8	AGD00040	CURTAIN FRONT LEFT B9000	1
8a	AGD00120	TURNBUTTON + FASTENERS & EYELET	1
9	AGD00039	CURTAIN RHS INNER B9000	1
<i>USED UP TO SERIAL No 1002693</i>			
9	AGD00089	CURTAIN LHS INNER B9000	1
<i>USED FROM SERIAL No 1002694 TO SERIAL No 1003328</i>			
9	AGD00106	CURTAIN LHS INNER B9000	1
<i>USED FROM SERIAL No 1003329</i>			
9a	AGD00120	TURNBUTTON + FASTENERS & EYELET	1
10	AGD00063	MOWER BUTTERFLY GUARD ASSY LHS	1
<i>COMPLETE GUARD LH ASM INCLUDING FRAME, LATCH, CURTAIN & BUFFERS (BUT NOT HINGE BOLTS)</i>			
11	AGD00119	GUARD MOUNT BUTTERFLY MOWER LHS	1
12	CBE00028	BUFFER RUBBER 30X36 M8/27 57SH	2
13	CFA00032	SETSCREW M12X30 Z/P	5
14	CFA00052	SETSCREW M8X20 Z/P	6
15	CFA00102	SETSCREW M8X25 Z/P	8
16	CFA00107	SETSCREW M8X35 Z/P	6
17	CFA00123	NUT M10 NYLOC	7
18	CFA00132	NUT M8 NYLOC Z/P	48
19	CFA00140	WASHER FLAT 16MM Z/P	3
20	CFA00147	WASHER FLAT 8MM Z/P	68
21	CFA00149	WASHER MUDWING M8 31.75OD	1
22	CFA00201	WASHER FLAT 10 MM Z/P	9
23	CFA00210	SETSCREW M8X50 Z/P	1
24	CFA00229	SETSCREW M16X35 Z/P	2
25	CFA00249	WASHER SKM8	2
26	CFA00250	WASHER SKM12	5
27	CFA00251	WASHER SKM10	10
28	CFA00252	WASHER SKM16	2
29	CFA00310	BOLT M10X50 Z/P	2
30	CFA00311	SETSCREW M10X35 Z/P	3
31	CFA00312	SETSCREW M10X40 Z/P	2
32	CFA00491	SETSCREW M8X30 Z/P	5

33	CFA00506	SETSCREW M8X20 CUPHEAD SQ ZP	3
34	CFA00591	SETSCREW M8X25 CUPHEAD SQ ZP	18
35	CMH01329	BUSH 10X25X12	4
36	CMH02691	BUSH 20X15X50	1
37	CMH02724	BUSH 25X10.5X14 STEPPED	3
38	CPL00234	MOWER GUARD PLASTIC LHS	1
<i>STEPPED VERSION</i>			
39	CZB02532	1.5MM L MOWER GUARD	1
40	CZB02533	1.5MM L MOWER GUARD	1
<i>USED UP TO SERIAL No 1003043 (SHOWN)</i>			
40	CZC05585	3MM MOWER GUARD BRKT	1
<i>USED FROM SERIAL No 1003044 (NOT SHOWN)</i>			
41	CZB02601	2MM L MOWER CURTAIN STRIP STEPPED	1
42	CZB02547	2MM L FRONT MOWER CURTAIN STRIP 2 HOLE	1
43	CZB02552	1.5MM L MOWER GUARD	1
44	CZB02560	1.5MM MOWER GUARD	1
45	CZB02591	2MM L MOWER GUARD STRIP	1
46	CZB02592	2MM L MOWER GUARD STRIP	1
47	CZB02593	2MM L MOWER GUARD STRIP	1
48	CZB02594	2MM L MOWER GUARD STRIP	1
49	CZC05163	3MM CROP DEFLECTOR MOWER LHS	1
51	CZB04783	1.5MM L MOWER CURTAIN BRKT LHS	1
<i>USED FROM SERIAL No 1003044 TO 1004039</i>			
52	CZF08958	6MM L MOWER GRAVITY LATCH	1

Hydraulic components (1107)



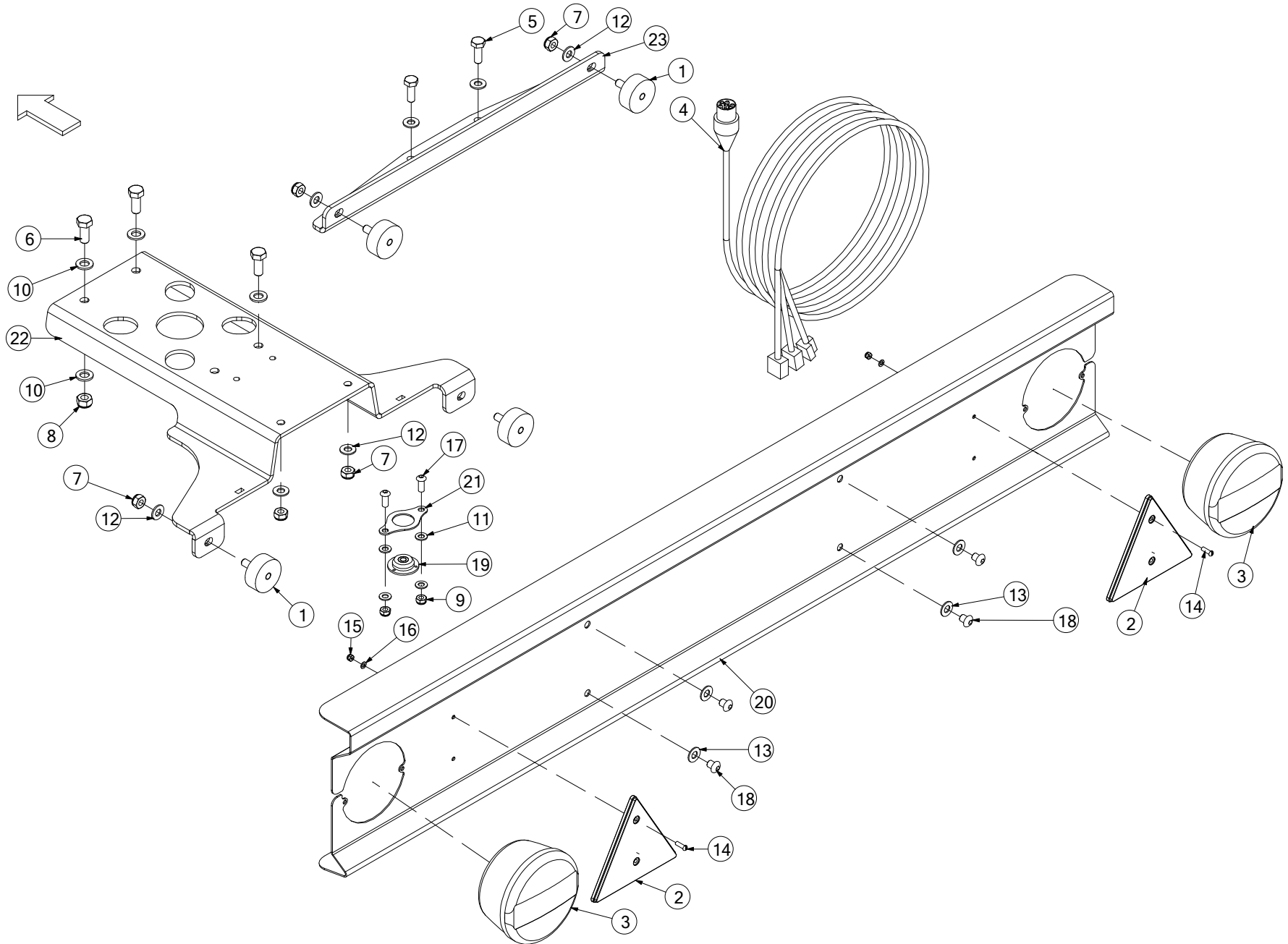
No.	Part No	Description	Qty
1	ACH01718	KIT DIVERTER VALVE ASM B9000 <i>MANUAL DIVERTER VALVE ASSEMBLY (STANDARD - AS SHOWN)</i>	1
1	KST00111	KIT DIVERTER VALVE B9000 <i>ELECTRONIC DIVERTER VALVE ASSEMBLY (OPTIONAL - NOT SHOWN)</i>	1
2	ACH01723	3/8" T PIECE BRACKET B9000	1
3	CFA00025	SETSCREW M10X30	4
4	CFA00052	SETSCREW M8X20 Z/P	4
5	CFA00102	SETSCREW M8X25 Z/P	8
6	CFA00123	NUT M10 NYLOC	4
7	CFA00131	NUT M6 NYLOC	3
8	CFA00132	NUT M8 NYLOC Z/P	10
9	CFA00144	WASHER FLAT 6MM Z/P	6
10	CFA00147	WASHER FLAT 8MM Z/P	26
11	CFA00201	WASHER FLAT 10 MM Z/P	8
12	CFA00210	SETSCREW M8X50 Z/P	4
13	CFA00218	SETSCREW M6X55 Z/P	3
14	CFA00249	WASHER SKM8	4
15	CFA00251	WASHER SKM10	4
16	CFA00340	BOLT M8X60 Z/P	4
17	CFA00792	SETSCREW M10X30 BUTTON HEAD Z/P	4
18	CFA01074	NUT M45X1.5 2L ACCUMULATOR FIXING	2
19	CFA01093	COVER PLATE STANDARD SERIES SIZE 2	8
20	CFA01094	HOSE CLAMP BODY 13.5MM	16
21	CFA02342	GROMMIT 44.3X38.1X6.4	6
22	CGD00459	VALVE GUARD B9000 MOWER	1
23	CHY00133	GAUGE PRESSURE 63DIA FLANGE	1
24	CMH01717	ACCUMULATOR BLOCK REAR MOWER	2
25	CRA00775	RAM SIDE MOUNT MOWER FLOATION	2
25a	CSE00847	SEAL KIT 60MM SUSPENSION RAM <i>SEAL KIT FOR CRA00775 RAM</i>	2
26	CRA00835	LIFT RAM B9000 CUSHIONED	2
27	CVA00148	DOUBLE IN-LINE CHECK VALVE	2
28	CVA00431	VALVE DIVERTER NO 2WAY CAM	2
28a	REP00078	REPAIR KIT ROLLER FOR CVA00431 <i>REPAIR KIT INCLUDES ROLLER, PIN & SPLIT PIN FOR VALVE CVA00431 PLUS REPLACEMENT CAM PLATE (ITEM 36)</i>	2
29	CVA00670	ACCUMULATOR 2 L 100 BAR	2
30	CVA00725	VALVE FLOW DIVIDER COMBINER 20	1
31	CVA00729	VALVE 4 WAY 2 POSITION ROTARY	1
32	CZC00151	3MM VALVE BRACKET B9000 MOWER	1
33	CZD02945	4MM PRESSURE CLOCK MOUNTING	1
34	CZD02946	4MM ACCUMULATOR BRACKET MOWER	2
35	CZD02999	4MM SPACER PLATE MOWER	1
36	CZH05237	10MM CAM PLATE MOWER VALVE <i>UP TO SERIAL No 1002390</i>	2
36	CZH05945	10MM CAM PLATE MOWER VALVE <i>FROM SERIAL No 1002391</i>	2
38	CRA00801	RAM MOWER SUSPENSION HD <i>REPLACES CRA00769</i>	2
38a	CVA00465	FLOATING RESTRICTOR 0.7MM	1
38b	CHY00937	WASHER DOWTY M18	1

38c	CHY01055	ADAPTOR M18MX1/4M	1
39	CRA00811	RAM 55X30 TELESCOPIC ARM B9000	2

Diverter Valve [Optional] (1485)















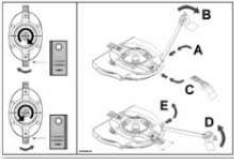


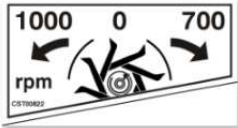

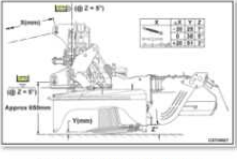


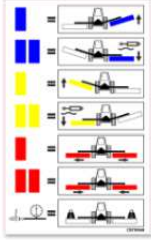
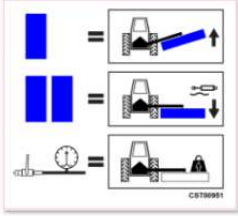
No.	Part No	Description	Qty
1	CEL01621	MOWER DIVERTER CONTROLLER	1
2	CHY00020	WASHER DOWTY 3/8"	3
3	CHY02002	ADAPTOR 3/8" BSP M/M	3
5	CVA00338	VALVE CTE DOUBLE CHECK NC	2
6	CVA00452	VALVE CONTROL LIFTING RAKE	1
<i>COMPLETE VALVE BLOCK ASSEMBLY</i>			
8	CVA00727	VALVE BODY (CVA00452)	1

Electrical lighting (989)



No.	Part No	Description	Qty
0	ALA00925	REAR LIGHT BRACKET MOUNT ASSY <i>COMPLETE ASSEMBLY (EXCLUDES ITEMS 5, 9, 11, 17, 19 & 21)</i>	1
1	CBE00361	RUBBER MOUNT 50X20 M10 M/F	4
2	CEL00077	REFLECTOR REAR TRIANGULAR RED	2
3	CEL01501	TAIL LIGHT CIRCULAR LED, 2M	2
4	CEL01502	REAR MOWER LIGHTING LOOM, 3M	1
4a	CEL01505	LIGHT LOOM ADAPTER (USA) <i>SAE J560 ADAPTER REQUIRED FOR NORTH AMERICAN MARKETS ONLY</i>	1
5	CFA00025	SETSCREW M10X30	2
6	CFA00032	SETSCREW M12X30 Z/P	4
7	CFA00123	NUT M10 NYLOC	6
8	CFA00124	NUT M12 NYLOC	4
9	CFA00132	NUT M8 NYLOC Z/P	2
10	CFA00138	WASHER FLAT 12MM Z/P	8
11	CFA00147	WASHER FLAT 8MM Z/P	4
12	CFA00201	WASHER FLAT 10 MM Z/P	8
13	CFA00251	WASHER SKM10	4
14	CFA00288	SETSCREW M5X16 PAN HEAD Z/P	4
15	CFA00321	NUT M5 NYLOC	4
16	CFA00337	WASHER FLAT 5MM Z/P	4
17	CFA00429	SETSCREW M8X20 BUTTON HEAD Z/P	2
18	CFA01140	SETSCREW M10X12 BUTTON HEAD Z/P	4
19	CTP00599	CIRCULAR LEVEL DIA 43MM <i>MOWER LEVELLING DEVICE</i>	1
20	CZB00386	2MM L LIGHT BRACKET R3100 / B9000 <i>(REPLACES LIGHT BRACKET CZC02613)</i>	1
21	CZB00403	2MM INCLINOMETER BRACKET MOWER	1
22	CZF08376	6MM LIGHT BRACKET PART <i>(REPLACES LH & RH TUBULAR BRACKETS ALA00778 & ALA00779)</i>	1
23	CZF08377	6MM LIGHT BRACKET PART	1

Decals 1 (1201)

<p>1</p>  <p>Decal_CST00014.jpg</p>	<p>2</p>  <p>Decal_CST00017.JPG</p>	<p>3</p>  <p>Decal_CST00019.jpg</p>	<p>4</p>  <p>Decal_CST00032.png</p>	<p>5</p>  <p>Decal_CST00060.png</p>	<p>6</p>  <p>Decal_CST00108.jpg</p>
<p>7</p>  <p>Decal_CST00110.jpg</p>	<p>8</p>  <p>Decal_CST00111.jpg</p>	<p>9</p>  <p>Decal_CST00113.jpg</p>	<p>10</p>  <p>Decal_CST00120.jpg</p>	<p>11</p>  <p>Decal_CST00143.jpg</p>	<p>12</p>  <p>Decal_CST00814.png</p>
<p>13</p>  <p>Decal_CST00816.png</p>	<p>14</p>  <p>Decal_CST00817.png</p>	<p>15</p>  <p>Decal_CST00819.png</p>	<p>16</p>  <p>Decal_CST00820.png</p>	<p>17</p>  <p>Decal_CST00821.png</p>	<p>18</p>  <p>Decal_CST00822.png</p>
<p>19</p>  <p>Decal_CST00826.png</p>	<p>20</p>  <p>Decal_CST00827.png</p>	<p>21</p>  <p>Decal_CST00871.png</p>	<p>22</p>  <p>Decal_CST00901.png</p>	<p>23</p>  <p>Decal_CST00949.png</p>	<p>24</p>  <p>Decal_CST00951.png</p>

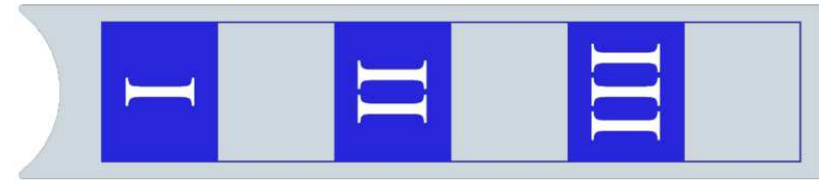
No.	Part No	Description	Qty
1	CST00014	DECAL WARNING! ROTATING ELEMENT	1
2	CST00017	DECAL ROTATING ELEMENTS 214	2
3	CST00019	DECAL CRUSHED HAND MCH-005	2
4	CST00032	DECAL LIFTING HOOK	3
5	CST00060	DECAL GREASE GUN MCH 004	15
6	CST00108	DECAL ROTATING PCK-UP REEL 246	2
7	CST00110	DECAL READ MANUAL (HORIZONTAL)	1
8	CST00111	DECAL HYD WARNING (HORIZONTAL)	1
9	CST00113	DECAL REMOVE KEY (HORIZONTAL)	1
10	CST00120	DECAL CRUSHED HAND (ABOVE)	2
11	CST00143	DECAL MAN WRAPPED IN SHAFT 220	2
12	CST00814	DECAL 1000 PTO RPM/210 BAR HYD	1
13	CST00816	DECAL WARNING ROTOR HAND & FOOT	2
14	CST00817	DECAL TRIPLE WARNING GUARD STOP +50M ZONE	3
15	CST00819	DECAL MOWER BLADE REPLACEMENT	1
16	CST00820	DECAL RH MOWER CONDITIONER ADJ	1
17	CST00821	DECAL RH CONDITIONER SPEED 700-1000	1
18	CST00822	DECAL LH CONDITIONER SPEED 700-1000	1
	<i>USED ON B9 MODELS ONLY</i>		
19	CST00826	DECAL LH MOWER CONDITIONER ADJ	1
	<i>USED ON B9 MODELS ONLY</i>		
20	CST00827	DECAL REAR MOWER SET-UP & HEIGHT ADJ	1
21	CST00871	DECAL MOWER HYD SUSPENSION 120X70MM	1
22	CST00901	DECAL TIE DOWN	4
23	CST00949	DECAL BUTTERFLY HYD INFO	1
	<i>USED ON B9 MODELS ONLY</i>		
24	CST00951	DECAL REAR MOWER HYD	1
	<i>USED ON R3100 MODELS ONLY</i>		

Decals 2 (1203)

McHale

CST00835

CST00905



CST00918

PRO GLIDE

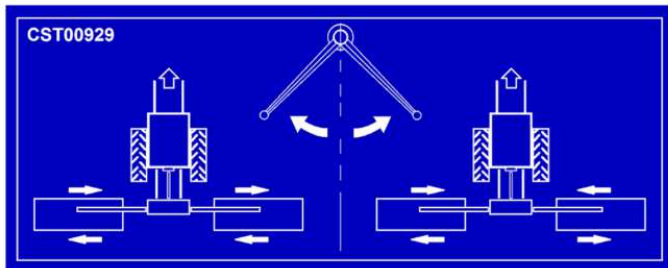
CST00836

B9000

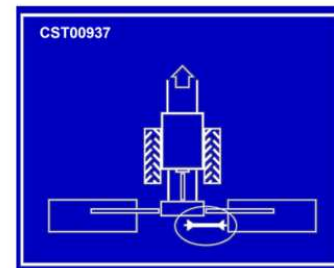
CST00840

B9600

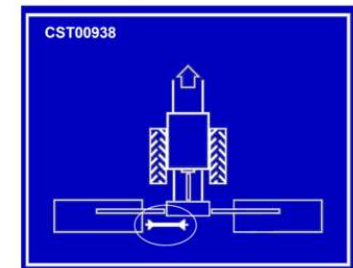
CST01033



CST00929



CST00937



CST00938

No.	Part No	Description	Qty
1	CST00835	MCHALE LOGO SILVER 260X58MM HIGH	2
1	CST00905	DECAL 'MCHALE' 90 X 400	1
2	CST00918	DECAL TELESCOPE GRADUATION 300MM	2
3	CST00836	PRO GLIDE LOGO SILVER RECTANGLE 765X97MM	2
4	CST00840	B9000 LOGO SILVER 460X65MM HIGH	2
<i>USED ON B9000 MODELS ONLY</i>			
5	CST01033	B9600 LOGO SILVER 460X65MM HIGH	2
<i>USED ON B9600 MODELS ONLY</i>			
6	CST00929	DECAL CHANGE OVER DIVERTER VALVE	1
7	CST00937	DECAL BUTTERFLY RHS DRIVE SHAFT	1
8	CST00938	DECAL BUTTERFLY LHS DRIVE SHAFT	1